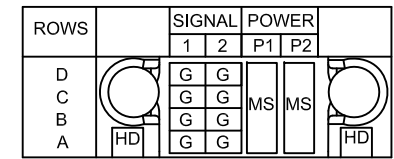


REV.	SPECIFICATION	ECN NO.	APPD.
R1		ECN200319	

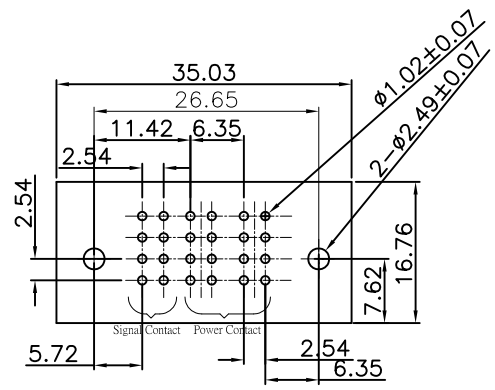
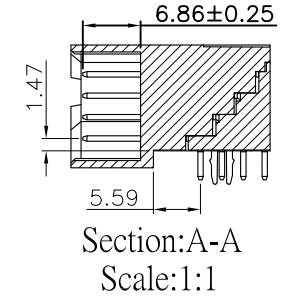
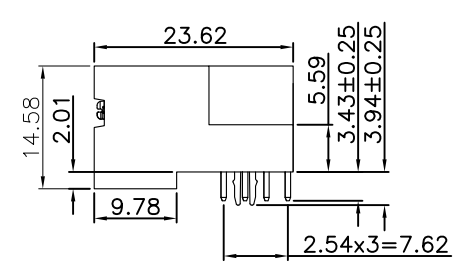
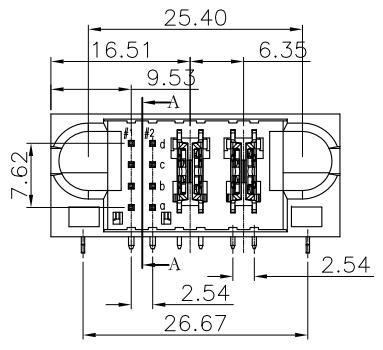
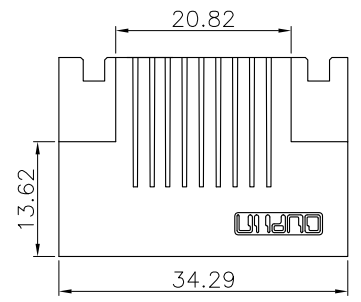
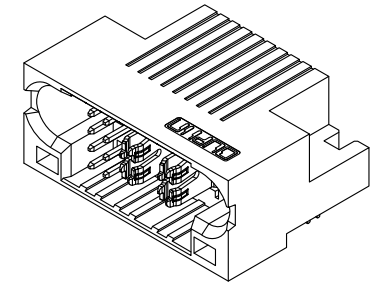
**Material and Plating:**  
**Housing:** LCP, UL94V-0, Black.  
**Power Contacts:** High Conductivity Copper.  
 30u" Au+Pd/Ni on Contact Area and 80u" Min Tin Plated on Solder Tail over 50u" Min Nickel.  
**Signal Contacts:** Brass.  
 30u" Au+Pd/Ni on Contact Area and 80u" Min Tin Plated on Solder Tail over 50u" Min Nickel.  
**Lock:** Phosphor Bronze.

**Electrical Characteristics:**  
**Current Rating:** Signal Pin 2.5 AMP.  
 Power Pin 30 AMP.  
**Dielectric Withstanding Voltage:**  
 Signal Pin DC 1000V For 1 minute.  
 Power Pin DC 2500V For 1 minute.  
**Insulator Resistance:** Signal Pin 5000MΩ min. at DC 500V.  
 Power Pin 20000MΩ min. at DC 500V.  
**Contact Resistance:** Signal Pin 15mΩ max. at DC 20mA.  
 Power Pin 0.7mΩ max. at DC 20mA.  
**Operating Temperature:** -40°C ~ +105°C.

**\*RoHS Compliant**  
 Notes 1 :  
 H: High density Power---PCB Mount 5.08mm Pitch  
 P: DC Power---PCB Mount 6.35mm Pitch  
 A: AC Power---PCB Mount 7.62mm Pitch  
 S: Signal---PCB Mount 2.54mm Pitch



SIGNAL PIN CONTACT LENGTH 4.32mm	H
SIGNAL PIN CONTACT LENGTH 5.59mm	E
SIGNAL PIN CONTACT LENGTH 7.05mm	F
SIGNAL PIN CONTACT LENGTH 6.86mm	G
HOT PLUG POWER CONTACT.STD	MS



9391-A 1 S08 P02 CB 30 D L A  
 Series  
 1: Male Right-angle  
 Blank:Without Contact  
 Signal Contact: S<sub>xx</sub>  
 No. of position  
 Blank:Without Contact  
 Power Contact: H<sub>xx</sub>, P<sub>xx</sub>, A<sub>xx</sub>  
 No. of position  
 A: Tray Package  
 L: With Lock  
 D: Dip Type  
 30: 30u"  
 CB: Dip Tin Plated  
 Contact Au+Pd/Ni Plated

Tolerances	Dwg. No.	9391-D0000-251	Title:
x = ±0.5	Projection		9391 Series
.x = ±0.25	Unit	mm	Male Right-angle Dip Type
.xx = ±0.15	Drawn By	CXP 03/21'19	

9391 Series  
 Male Right-angle Dip Type

<b>OUPIN</b>			
OUPIN ELECTRONIC(KUNSHAN) CO., LTD.			
P/N: 9391-A1S08P02CB30DLA			
SHEET	1/1	Ver. No.	R1