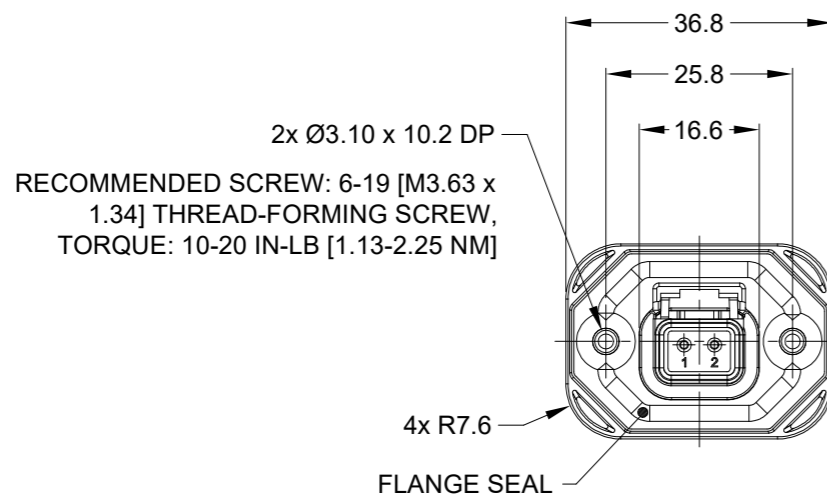
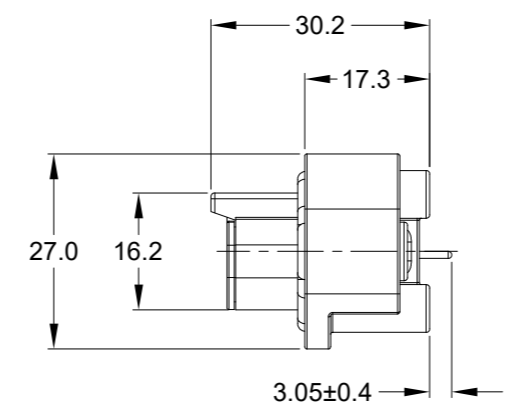


REVISIONS					
REV	ECO	DESCRIPTION	DATE	BY	APPR
A1	-	RELEASE NEW DRAWING	15JUN18	SULLEN	TOMMY
A2	-	REVISED DRAWING	10JUL20	JHEAD	DH
A3		ADD DIMENSIONING FOR PCB LAYOUT	15NOV23	HAILEY	TOMMY

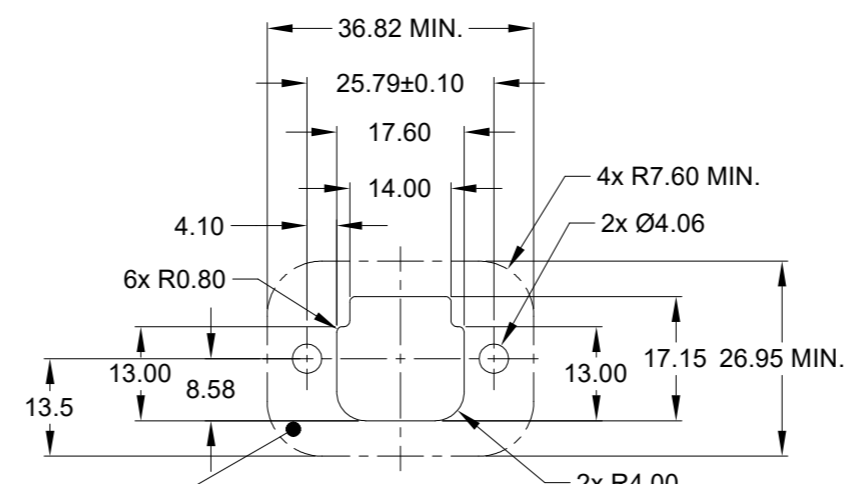
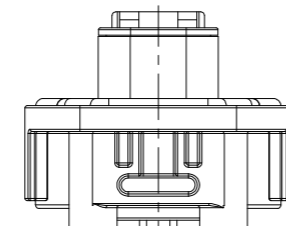
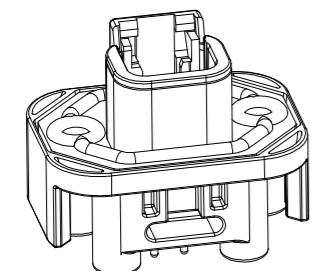
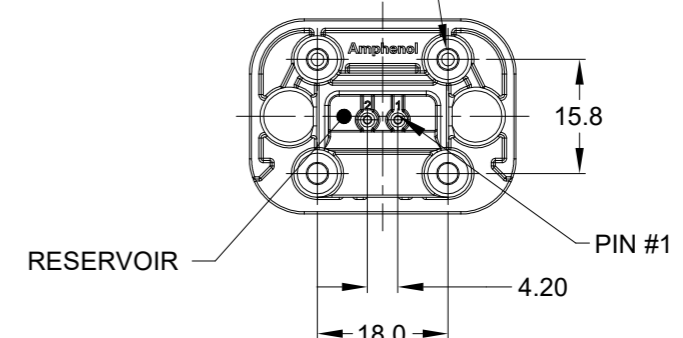


2x Ø3.10 x 10.2 DP  
 RECOMMENDED SCREW: 6-19 [M3.63 x 1.34] THREAD-FORMING SCREW,  
 TORQUE: 10-20 IN-LB [1.13-2.25 NM]

4x R7.6  
 FLANGE SEAL

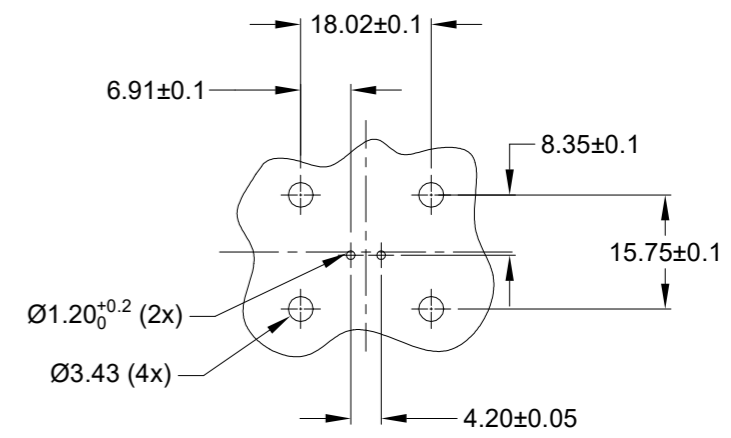


4x Ø2.79 x 13.25 DP  
 RECOMMENDED SCREW: 4-20 [M3.12 x 1.27] THREAD-FORMING SCREW,  
 TORQUE: 10-20 IN-LB [0.68-1.13 NM]



INTERNAL SEALING SURFACE  
 FINISH TO BE 3.2 OR BETTER  $\sqrt{0.13}$

RECOMMENDED PANEL  
 CUTOUT



RECOMMENDED PCB LAYOUT  
 VIEW FROM COMPONENTS  
 SIDE OF PCB

NOTES: UNLESS OTHERWISE SPECIFIED

- MATERIAL:  
 HOUSING: THERMOPLASTIC, GREY  
 SEAL: SILICONE RUBBER  
 CONTACT: COPPER ALLOY
- MODIFICATIONS: FLANGE; STRAIGHT PCB MOUNT
- SPECIFICATIONS:  
 3.1 CURRENT RATING: 7.5 AMPS  
 3.2 OPERATING TEMPERATURE: -55°C TO +125°C  
 3.3 DIELECTRIC WITHSTANDING VOLTAGE: LESS THAN 2 MILLIAMPS CURRENT LEAKAGE @ 1500 VOLTS AC  
 3.4 INSULATION RESISTANCE: 1000 MEGOHMS MIN @ 25°C  
 3.5 MOISTURE RESISTANCE: IP67 ( MATED CONDITION )  
 3.6 MATING CYCLE DURABILITY: 100 CYCLES  
 3.7 RoHS COMPLIANT
- MATING PART: ATM06-2S\* (\* = ALL MODIFICATIONS)
- ALL DIMENSIONS ARE FOR REFERENCE USE ONLY
- POTTED CONNECTORS SPECIFIED FOR UP TO 5 P.S.I. APPLICATIONS.

ATM15-2P-BMXX VARIANTS		
CONTACT PLATING	POTTING OR NOT IN RESERVOIR	PART NUMBER
GOLD	NO POTTING	ATM15-2P-BM01
GOLD	POTTING	ATM15-2P-BM02
TIN	NO POTTING	ATM15-2P-BM03
TIN	POTTING	ATM15-2P-BM04

QUANTITY	ATM15-2P-BMXX	DESCRIPTION	ITEM
MATERIALS LIST			
UNLESS OTHERWISE SPECIFIED 1) All dimensions are in metric (mm). 2) Tolerances are as follows: 1 PL DEC ±0.30 2 PL DEC ±0.15 3 PL DEC ±0.08 3) Note reference = $\Delta$		SIGNATURES DATE DRAWN: HAILEY 16NOV23 CHECKED: SULLEN 16NOV23 ENGINEER: APPROVAL: TOMMY.XIE 16NOV23	
MATERIAL SPECIFICATIONS:		CUSTOMER:	
PROCESS SPECIFICATIONS:		THIS DRAWING IS SUPPLIED FOR INFORMATION ONLY. DESIGN FEATURES, SPECIFICATIONS AND PERFORMANCE DATA SHOWN HEREON ARE THE PROPERTY OF THE AMPHENOL CORPORATION. NO RIGHTS OF REPRODUCTION ARE IMPLIED. ALL DIMENSIONS ARE SUBJECT TO NORMAL MANUFACTURING VARIATIONS.	
NEXT ASSY:		SCALE: NONE	
		SHEET 1 OF 1	

**Amphenol**  
 Sine Systems - www.amphenol-sine.com  
 44724 Morley Drive  
 Clinton Township, MI 48036

BOARDLOCK PCB MOUNT RECEPTACLE,  
 2 PIN, STRAIGHT FLANGE, ATM SERIES

SIZE: B C-  
 TYPE: ATM15-2P-BMXX  
 DWG NO: A3

TITLE: PCB MOUNT RECEPTACLE, 2PIN, STRAIGHT FLANGE, ATM SERIES  
 DWG NO: ATM15-2P-BMXX  
 REV: A3  
 SH: 1  
 OF: 1