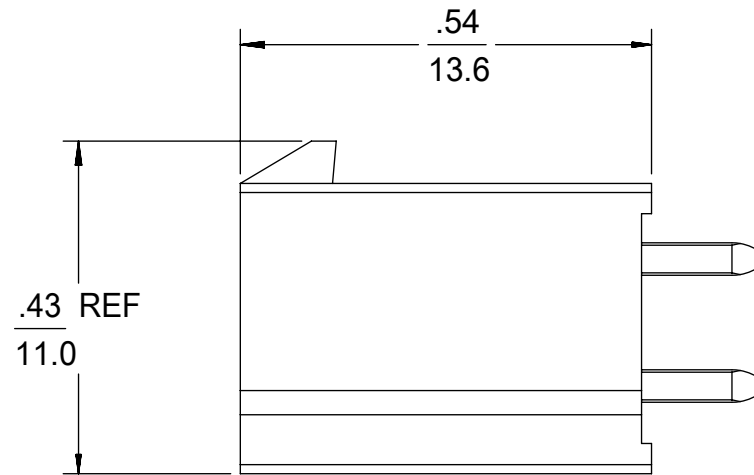
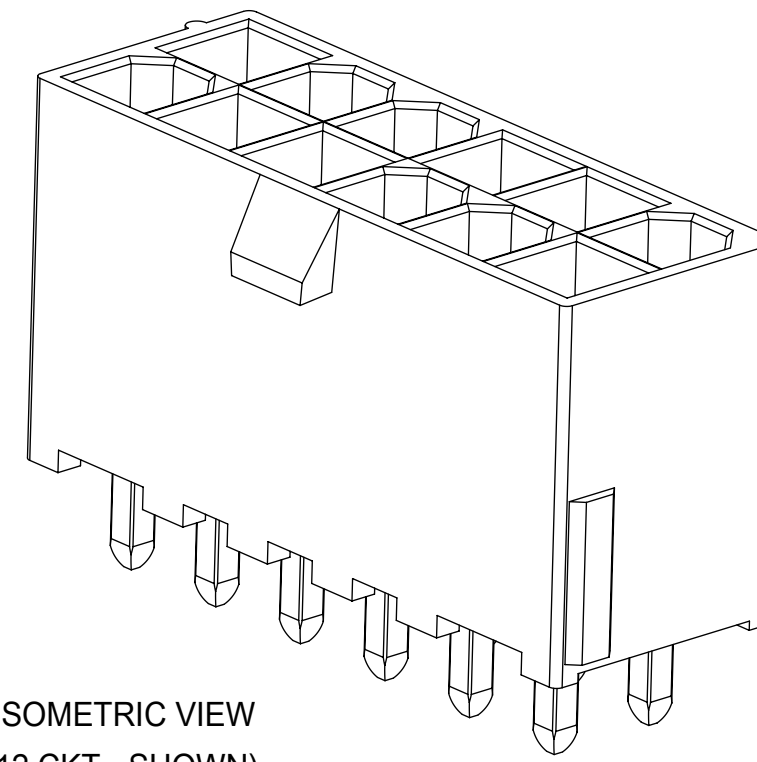


2 CKT SHOWN



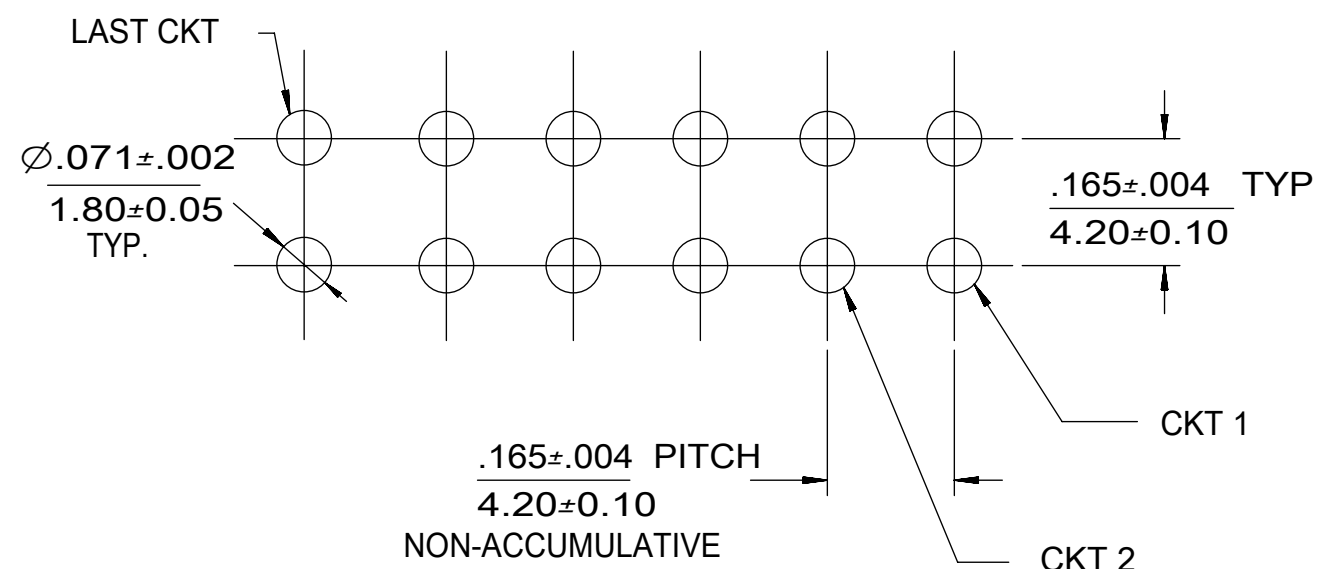
ISOMETRIC VIEW
(12 CKT - SHOWN)



CKT SIZE	DIM. A	DIM. B
02	0.21/5.4	NA
04	0.38/9.6	0.165/4.20
06	0.54/13.8	0.331/8.40
08	0.71/18.0	0.496/12.60
10	0.87/22.2	0.661/16.80
12	1.04/26.4	0.827/21.00
14	1.21/30.6	0.992/25.20
16	1.37/34.8	1.160/29.40
18	1.54/39.0	1.323/33.60
20	1.70/43.2	1.488/37.80
22	1.87/47.4	1.654/42.00
24	2.03/51.6	1.819/46.20

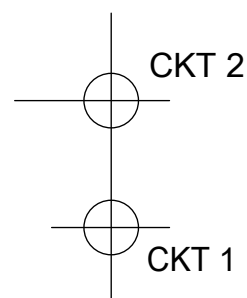
NOTES:

- MATERIALS:
HOUSING - GLASS FILLED LCP UL94V-0, COLOR: SEE CHART
TERMINAL - BRASS
- TERMINAL PLATING:
TIN= .000100/0.00254 MIN. MATTE TIN OVER
.000050/0.00127 MIN. NICKEL
GOLD=.000030/0.00076 MIN. SELECT GOLD OVER
.000100/0.00254 MIN. SELECT MATTE TIN
OVER .000050/0.00127 MIN. NICKEL OVERALL.
- PRODUCT SPECIFICATION: PS-5556-001 OR PS-45750-001
- PACKAGING SPECIFICATION: TRAY PACK PER: PK-46207-001 UNLESS NOTED.
TAPE AND REEL PACK PER: PK-46207-002
- PART MATES WITH MINIFIT JR RECEPTACLE SERIES 5557
- DISCOLORIZATION IN THE BANDOLIER CARRIER AREA OF THE PIN IS INHERENT TO THE PLATING PROCESS AND IS DUE TO THE MASKING EFFECT OF THE CARRIER. THIS DISCOLORIZATION IS A NON-FUNCTIONAL AREA OF THE PIN AND WILL NOT AFFECT THE PERFORMANCE OF THE HEADER ASSEMBLY.
- CONNECTORS ARE NOT TO BE MATED OR UNMATED WHILE CIRCUITS ARE LIVE.
- PARTS ARE NOT DESIGNED FOR CURRENT SHARING.
- THIS PART CONFORMS TO CLASS B REQUIREMENTS OF COSMETIC SPECIFICATION PS-45499-002.
- TEXT ON PART IS FOR REFERENCE ONLY. TEXT AND TEXT LOCATION MAY VARY DEPENDING ON PART NUMBER AND/OR TOOL.



LAYOUT FOR
4-24 CIRCUITS


RECOMMENDED PCB HOLE LAYOUT COMPONENT SIDE



LAYOUT FOR
2 CIRCUIT

QUALITY SYMBOLS		THIS DRAWING CONTAINS INFORMATION THAT IS PROPRIETARY TO MOLEX ELECTRONIC TECHNOLOGIES, LLC AND SHOULD NOT BE USED WITHOUT WRITTEN PERMISSION			
▽ = 0	REL 8 & 10 CKT TAPE	GENERAL TOLERANCES (UNLESS SPECIFIED)		DIMENSION UNITS	SCALE
▽ = 0	2017/09/22			IN/MM	4:1
▽ = 0	2017/10/18	MM	INCH	DRWN BY	DATE
▽ = 0	2017/10/23	4 PLACES ±	±	LSCHMIDT	2007/12/14
▽ = 0	EC NO: 122374	3 PLACES ±	± 0.005	CHK'D BY	DATE
▽ = 0	DRWN: AZAHIROVIC	2 PLACES ± 0.13	± 0.01	JBELL	2007/12/17
▽ = 0	CHK'D: JBELL	1 PLACES ± 0.25	±	APPR BY	DATE
▽ = 0	REV APPR: FSMITH	0 PLACES ±	±	FSMITHROEMER	2007/12/18
▽ = 0		ANGULAR TOL = 0.5		DRAWING SIZE	THIRD ANGLE PROJECTION
▽ = 0				C	⊕
▽ = 0		DRAFT WHERE APPLICABLE MUST REMAIN WITHIN DIMENSIONS			
				PRODUCT CUSTOMER DRAWING	
				MINI-FIT RTC HI-TEMP VERTICAL HEADER IN LCP, W/O PCB PEGS	
				SERIES MATERIAL NUMBER CUSTOMER	
				46207 SEE CHART GENERAL MARKET	
				DOCUMENT NUMBER DOC TYPE DOC PART SHEET NUMBER	
				SD-46207-002 PSD 000 1 OF 3	

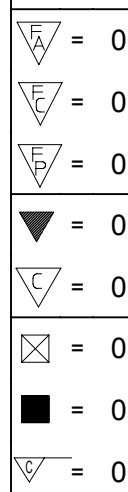

GOLD PLATING		COLOR=BLACK			
CKT SIZE	TAPE & REEL MATERIAL NUMBER	TRAY PACK MATERIAL NUMBER	DIM. C	PCB THK.	
02	462078002	462076002	0.144/3.66	0.062	
04	462078004	* 462076004	0.144/3.66	0.062	
06	462078006	462076006	0.144/3.66	0.062	
08	462078008	462076008	0.144/3.66	0.062	
10	462078010	462076010	0.144/3.66	0.062	
12	462078012	* 462076012	0.144/3.66	0.062	
14	462078014	* 462076014	* 0.144/3.66	0.062	
16	462078016	* 462076016	* 0.144/3.66	0.062	
18	462078018	* 462076018	* 0.144/3.66	0.062	
20	462078020	* 462076020	* 0.144/3.66	0.062	
22	462078022	* 462076022	* 0.144/3.66	0.062	
24	462078024	* 462076024	0.144/3.66	0.062	
02					
04					
06					
08					
10					
12					
14					
16					
18					
20					
22					
24					
02					
04					
06					
08					
10					
12					
14					
16					
18					
20					
22					
24					
02		462076602	* .278/7.06	0.250	
04		462076604	* .278/7.06	0.250	
06		462076606	* .278/7.06	0.250	
08		462076608	* .278/7.06	0.250	
10		462076610	* .278/7.06	0.250	
12		462076612	* .278/7.06	0.250	
14		462076614	* .278/7.06	0.250	
16		462076616	* .278/7.06	0.250	
18		462076618	* .278/7.06	0.250	
20		462076620	* .278/7.06	0.250	
22		462076622	* .278/7.06	0.250	
24		462076624	* .278/7.06	0.250	


 TRAY
 PACKAGED
 PER
 PK-5569-003

* DESIGNATES PART NOT RELEASED.
CONTACT FACTORY FOR AVAILABILITY.

TIN PLATING		COLOR=BLACK			
CKT SIZE	TAPE & REEL MATERIAL NUMBER	TRAY PACK MATERIAL NUMBER	DIM. C	PCB THK.	
02	462074002	462071002	0.144/3.66	0.062	
04	462074004	* 462071004	0.144/3.66	0.062	
06	462074006	462071006	0.144/3.66	0.062	
08	462074008	462071008	0.144/3.66	0.062	
10	462074010	462071010	0.144/3.66	0.062	
12	462074012	* 462071012	0.144/3.66	0.062	
14	462074014	* 462071014	* 0.144/3.66	0.062	
16	462074016	* 462071016	* 0.144/3.66	0.062	
18	462074018	* 462071018	* 0.144/3.66	0.062	
20	462074020	* 462071020	* 0.144/3.66	0.062	
22	462074022	* 462071022	* 0.144/3.66	0.062	
24	462074024	* 462071024	0.144/3.66	0.062	
02		462071102	0.176/4.46	0.093	
04		462071104	0.176/4.46	0.093	
06		462071106	0.176/4.46	0.093	
08		462071108	0.176/4.46	0.093	
10		462071110	0.176/4.46	0.093	
12		462071112	0.176/4.46	0.093	
14		462071114	* 0.176/4.46	0.093	
16		462071116	* 0.176/4.46	0.093	
18		462071118	* 0.176/4.46	0.093	
20		462071120	* 0.176/4.46	0.093	
22		462071122	* 0.176/4.46	0.093	
24		462071124	0.176/4.46	0.093	
02		462071202	0.207/5.26	0.125	
04		462071204	0.207/5.26	0.125	
06		462071206	0.207/5.26	0.125	
08		462071208	0.207/5.26	0.125	
10		462071210	0.207/5.26	0.125	
12		462071212	0.207/5.26	0.125	
14		462071214	* 0.207/5.26	0.125	
16		462071216	* 0.207/5.26	0.125	
18		462071218	* 0.207/5.26	0.125	
20		462071220	* 0.207/5.26	0.125	
22		462071222	* 0.207/5.26	0.125	
24		462071224	0.207/5.26	0.125	

* DESIGNATES PART NOT RELEASED.
CONTACT FACTORY FOR AVAILABILITY.

QUALITY SYMBOLS 	THIS DRAWING CONTAINS INFORMATION THAT IS PROPRIETARY TO MOLEX ELECTRONIC TECHNOLOGIES, LLC AND SHOULD NOT BE USED WITHOUT WRITTEN PERMISSION												
	REL 8 & 10 CKT TAPE EC NO: 122374 DRWN: AZAHIROVIC CHKD: JBELL REV APPR: FSMITH 2017/09/22 2017/10/18 2017/10/23	GENERAL TOLERANCES (UNLESS SPECIFIED)				DIMENSION UNITS		SCALE		 MINI-FIT RTC HI-TEMP VERTICAL HEADER IN LCP, W/O PCB PEGS PRODUCT CUSTOMER DRAWING SERIES: 46207 MATERIAL NUMBER: SEE CHART CUSTOMER: GENERAL MARKET DOCUMENT NUMBER: SD-46207-002 DOC TYPE: PSD DOC PART: 000 SHEET NUMBER: 2 OF 3			
		MM		INCH		IN/MM		4:1					
		4 PLACES ±		±		DRWN BY		DATE					
		3 PLACES ±		± 0.005		LSCHMIDT		2007/12/14					
		2 PLACES ±		± 0.13 ± 0.01		CHK'D BY		DATE					
	1 PLACES ±		± 0.25 ±		JBELL		2007/12/17						
	0 PLACES ±		±		APPR BY		DATE						
	ANGULAR TOL = 0.5		DRAFT WHERE APPLICABLE MUST REMAIN WITHIN DIMENSIONS		FSMITHROEMER		2007/12/18						
	C		THIRD ANGLE PROJECTION		DRAWING SIZE		C						

TIN PLATING COLOR=NATURAL						
CKT SIZE	TAPE & REEL MATERIAL NUMBER	*	TRAY PACK MATERIAL NUMBER	*	DIM. C	PCB THK.
04	462074304	*	462071304	*	0.144/3.66	0.062
06	462074306	*	462071306	*	0.144/3.66	0.062
08	462074308	*	462071308	*	0.144/3.66	0.062
10	462074310	*	462071310	*	0.144/3.66	0.062
12	462074312	*	462071312	*	0.144/3.66	0.062
14	462074314	*	462071314	*	0.144/3.66	0.062
16	462074316	*	462071316	*	0.144/3.66	0.062
18	462074318	*	462071318	*	0.144/3.66	0.062
20	462074320	*	462071320	*	0.144/3.66	0.062
22	462074322	*	462071322	*	0.144/3.66	0.062
24	462074324	*	462071324	*	0.144/3.66	0.062
02				*	0.176/4.46	0.093
04				*	0.176/4.46	0.093
06				*	0.176/4.46	0.093
08				*	0.176/4.46	0.093
10				*	0.176/4.46	0.093
12				*	0.176/4.46	0.093
14				*	0.176/4.46	0.093
16				*	0.176/4.46	0.093
18				*	0.176/4.46	0.093
20				*	0.176/4.46	0.093
22				*	0.176/4.46	0.093
24				*	0.176/4.46	0.093
02				*	0.207/5.26	0.125
04				*	0.207/5.26	0.125
06				*	0.207/5.26	0.125
08				*	0.207/5.26	0.125
10				*	0.207/5.26	0.125
12				*	0.207/5.26	0.125
14				*	0.207/5.26	0.125
16				*	0.207/5.26	0.125
18				*	0.207/5.26	0.125
20				*	0.207/5.26	0.125
22				*	0.207/5.26	0.125
24				*	0.207/5.26	0.125

* DESIGNATES PART NOT RELEASED.
CONTACT FACTORY FOR AVAILABILITY.

THIS DRAWING CONTAINS INFORMATION THAT IS PROPRIETARY TO MOLEX ELECTRONIC TECHNOLOGIES, LLC AND SHOULD NOT BE USED WITHOUT WRITTEN PERMISSION																																		
QUALITY SYMBOLS 		REL 8 & 10 CKT TAPE EC NO: 122374 DRWN: AZAHIROVIC CHKD: JBELL REV APPR: FSMITH			2017/09/22 2017/10/18 2017/10/23			GENERAL TOLERANCES (UNLESS SPECIFIED) <table border="1"> <thead> <tr> <th></th> <th>MM</th> <th>INCH</th> </tr> </thead> <tbody> <tr><td>4 PLACES</td><td>±</td><td>±</td></tr> <tr><td>3 PLACES</td><td>±</td><td>± 0.005</td></tr> <tr><td>2 PLACES</td><td>± 0.13</td><td>± 0.01</td></tr> <tr><td>1 PLACES</td><td>± 0.25</td><td>±</td></tr> <tr><td>0 PLACES</td><td>±</td><td>±</td></tr> </tbody> </table>			MM	INCH	4 PLACES	±	±	3 PLACES	±	± 0.005	2 PLACES	± 0.13	± 0.01	1 PLACES	± 0.25	±	0 PLACES	±	±	DIMENSION UNITS IN/MM		SCALE 1:1				
	MM	INCH																																
4 PLACES	±	±																																
3 PLACES	±	± 0.005																																
2 PLACES	± 0.13	± 0.01																																
1 PLACES	± 0.25	±																																
0 PLACES	±	±																																
DRWN BY LSCHMIDT		DATE 2007/12/14		CHK'D BY JBELL		DATE 2007/12/17		MINI-FIT RTC HI-TEMP VERTICAL HEADER IN LCP, W/O PCB PEGS																										
APPR BY FSMITHROEMER		DATE 2007/12/18		PRODUCT CUSTOMER DRAWING			SERIES: 46207 MATERIAL NUMBER: SEE CHART CUSTOMER: GENERAL MARKET																											
ANGULAR TOL = 0.5 DRAFT WHERE APPLICABLE MUST REMAIN WITHIN DIMENSIONS		DRAWING SIZE C		THIRD ANGLE PROJECTION 		DOCUMENT NUMBER: SD-46207-002 DOC TYPE: PSD DOC PART: 000 SHEET NUMBER: 3 OF 3																												