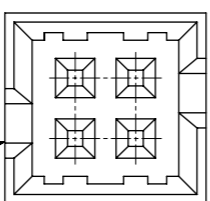


RECOMMENDED PCB PATTERN

4 CKT:
BOTH SIDE WITH POLARIZATION SLOT
6 CKT & ABV:
ONLY 1 SIDE WITH POLARIZATION SLOT



4 CKT TOP VIEW

PEG OPTION	P/N WITH CAP IN TAPE & REEL		P/N WITH CAP IN TUBE		CKT SIZE	DIMENSION			
	15µin Gold	30µin Gold	15µin Gold	30µin Gold		A	B	C	D
NO	87832-0440	87832-0442	87832-0441	87832-0443	4	2.00	4.85	6.65	5.00
YES	87832-0640	87832-0642	87832-0641	87832-0643	6	4.00	6.85	8.65	7.00
YES	87832-0840	87832-0842	87832-0841	87832-0843	8	6.00	8.85	10.65	9.00
YES	87832-1040	87832-1042	87832-1041	87832-1043	10	8.00	10.85	12.65	11.00
YES	87832-1240	87832-1242	87832-1241	87832-1243	12	10.00	12.85	14.65	13.00
NO	---	87832-5242	---	87832-5243					

NOTES:

- FOR ILLUSTRATION PURPOSES, 8 CIRCUIT SIZE WAFER IS SHOWN.
- MATERIAL :
HOUSING & CAP : 30% G.F., NYLON 46, UL94V-0, COLOR BLACK.
PIN : 0.50mm SQ. PHOSPHOR BRONZE.
- PLATING :
40, 41 - 0.38µm/15µin GOLD IN CONTACT AREA AND 1.88µm/75µin MIN. TIN IN SOLDER TAIL AREA OVER 1.27µm/50µin MIN. NICKEL OVERALL.
42, 43 - 0.76µm/30µin GOLD IN CONTACT AREA AND 1.88µm/75µin MIN. TIN IN SOLDER TAIL AREA OVER 1.27µm/50µin MIN. NICKEL OVERALL.
- PIN PUSHOUT FORCE : 0.91kg MIN. IN EITHER DIRECTION.
- PRODUCT SPECIFICATION PS-87831-027 APPLIES.
- COPLANARITY IS TO BE MEASURED BY RESTING THE SOLDER TAIL ON A GAUGE SURFACE.
- CAP TO BE POSITION IN THE CENTER OF HEADER FOR PICK AND PLACE.
- CKT 4 & 6 HAS NO IDENTIFICATION TAG.
- THIS HEADER MATES WITH MOLEX:
 - CRIMP RECEPTACLE HOUSING, 51110 SERIES WITH CRIMP TERMINAL, 50394 SERIES.
 - 2mm MILLIGRID DUAL ROW IDT, 87568 SERIES.
- PARTS SHALL BE PACKED IN MOISTURE BAG WITH DESICCANT GEL.
- NO CENTRE POLARIZATION SLOT FOR CKT SIZE 4 AND 6.

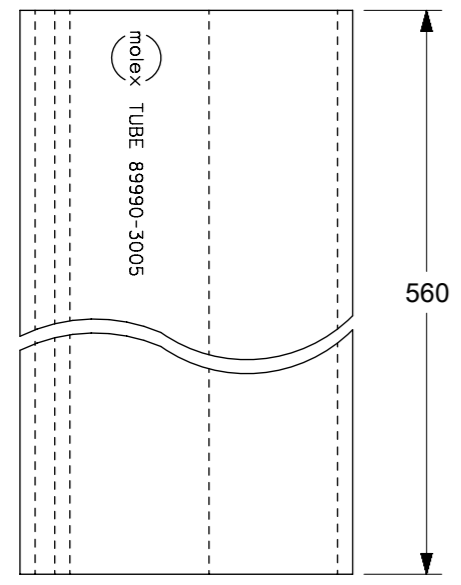
THIS DRAWING CONTAINS INFORMATION THAT IS PROPRIETARY TO MOLEX ELECTRONIC TECHNOLOGIES, LLC AND SHOULD NOT BE USED WITHOUT WRITTEN PERMISSION

EC NO: 170970 DRWN: MUM CHK'D: SCHEONG APPR: KHLIM	2017/07/07	2018/01/25	2018/02/07	GENERAL TOLERANCES (UNLESS SPECIFIED)	DIMENSION UNITS	SCALE					
				MM INCH	MM	NTS					
	4 PLACES	±	±	DRWN BY	DATE	ATSEE		2004/07/29			
	3 PLACES	±	±	CHK'D BY	DATE	KCLING		2004/08/05			
				2 PLACES	±	±	APPR BY	DATE			
				1 PLACES	±	±	SKTOH	2004/08/05			
				0 PLACES	±	±					
				ANGULAR TOL = 3.0	DRAWING SIZE	THIRD ANGLE PROJECTION					
				DRAFT WHERE APPLICABLE MUST REMAIN WITHIN DIMENSIONS	A3						

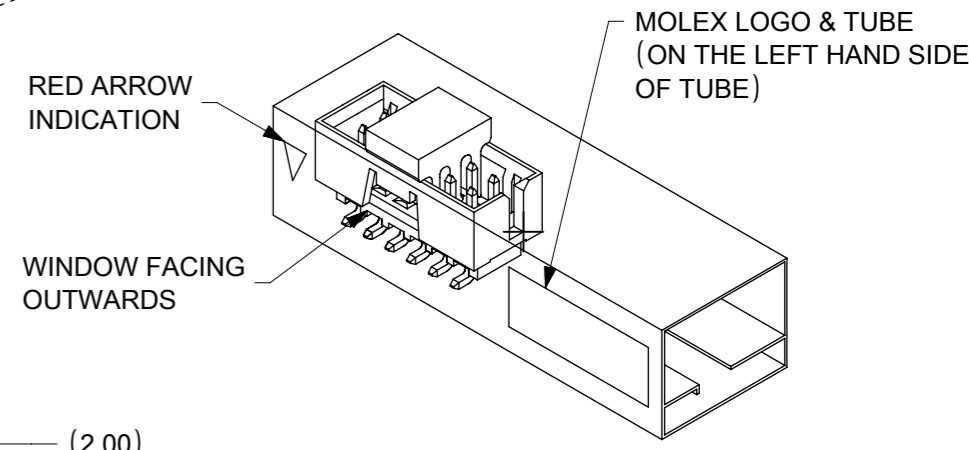
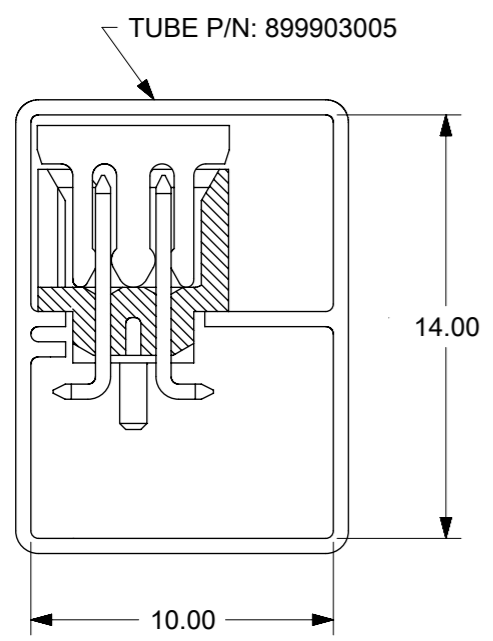
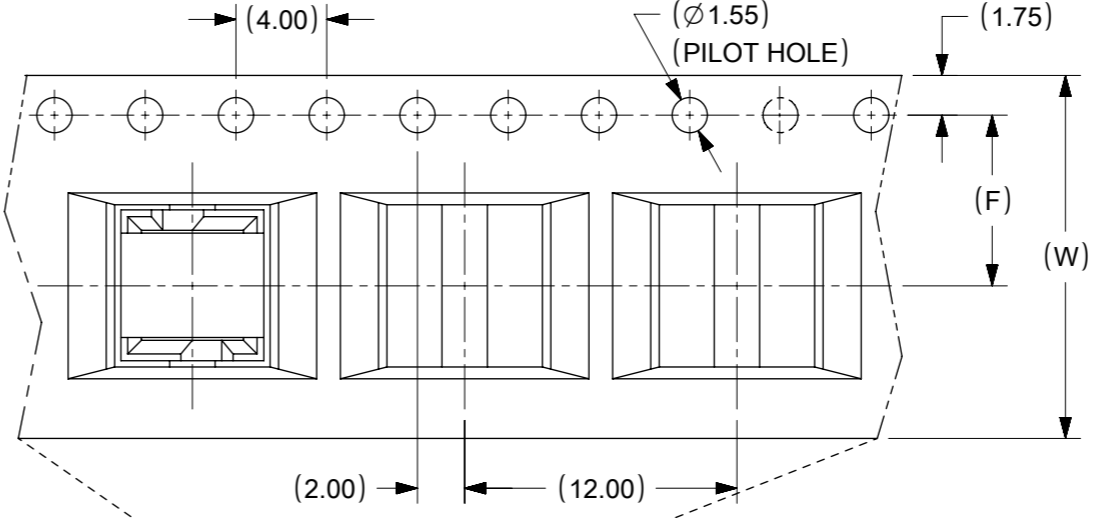
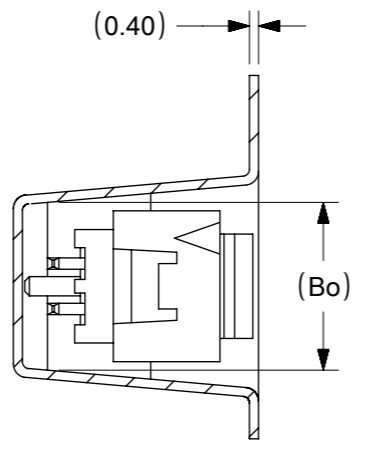
SERIES	MATERIAL NUMBER	CUSTOMER	
87832	SEE TABLE	GENERAL MARKET	
DOCUMENT NUMBER	DOC TYPE	DOC PART	SHEET NUMBER
SD-87832-013	PSD	001	1 OF 2

PART NUMBER WITH CAP IN TAPE/REEL		CKT SIZE	EMBROSS TAPE PART NUMBER	TOP TAPE NUMBER	REEL NUMBER	(F)	(Bo)	(So)	(W)
87832-0440	87832-0442	4	89990-7601	89990-5602	89990-5709	7.50	7.15	-	16.00
87832-0640	87832-0642	6	89990-7752	89990-5603	89990-5710	11.50	9.15	-	24.00
87832-0840	87832-0842	8	89990-7753	89990-5603	89990-5710	11.50	11.05	-	24.00
87832-1040	87832-1042	10	89990-7754	89990-5603	89990-5710	11.50	13.05	-	24.00
87832-1240	87832-1242	12	89990-7755	89990-5604	89990-5711	14.20	15.15	28.40	32.00
---	87832-5242								

WITH CAP IN TUBE PACKAGING

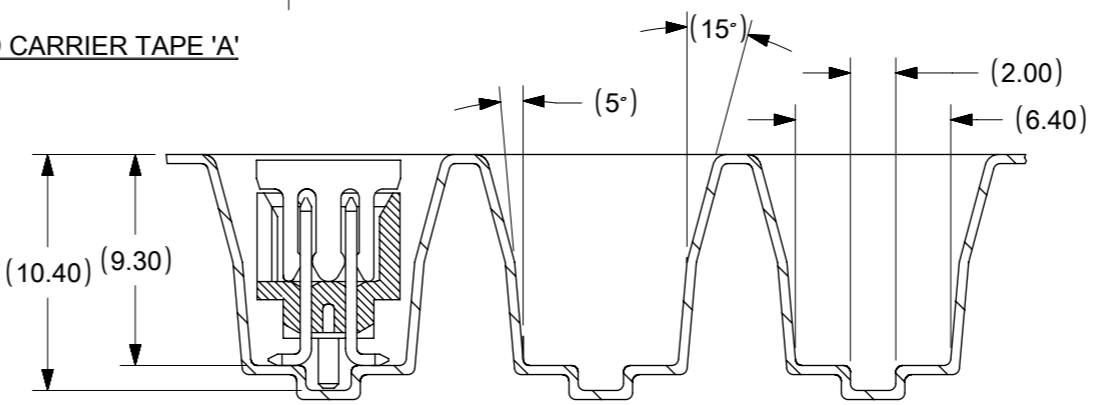


PART IN T&R FOR ILLUSTRATION PURPOSE ONLY

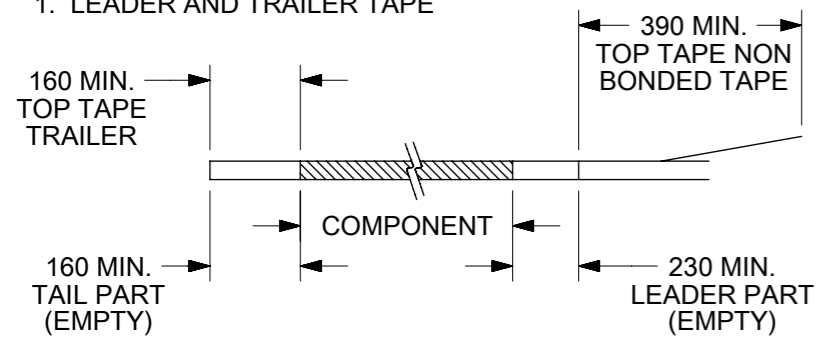


REF : ORIENTATION OF PART IN TUBE. (FOR THE REFERENCE OF PART/TUBE ASSEMBLY.)

EMBOSSED CARRIER TAPE 'A'

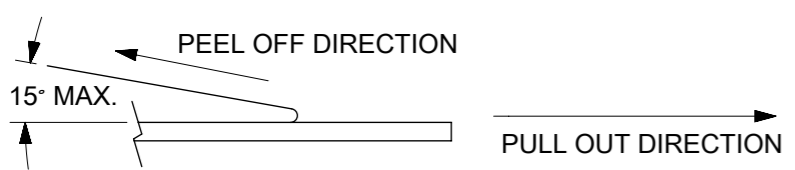


NOTES:
1. LEADER AND TRAILER TAPE



PULL OUT DIRECTION

2. PEELING OFF FORCE OF THE TOP TAPE: 20-80gf. (PEELING DIRECTION AS SHOWN IN FOLLOWING FIGURE)



3. PACKAGING STANDARD IS AS PER EIA-481.

THIS DRAWING CONTAINS INFORMATION THAT IS PROPRIETARY TO MOLEX ELECTRONIC TECHNOLOGIES, LLC AND SHOULD NOT BE USED WITHOUT WRITTEN PERMISSION

EC NO: 170970 DRWN: MUM CHK'D: SCHEONG APPR: KHLIM	GENERAL TOLERANCES (UNLESS SPECIFIED)		DIMENSION UNITS		SCALE					
			MM	INCH	MM	NTS				
	4 PLACES ±		ATSEE		DATE		MGRID, SHROUDED HEADER W/PEG/CAP/LOCK FEATURES SMT, IN TUBE AND T&R			
	3 PLACES ±		KCLING		DATE					
2 PLACES ± 0.15		SKTOH		DATE						
1 PLACES ±		DRAWING SIZE		THIRD ANGLE PROJECTION		PRODUCT CUSTOMER DRAWING				
0 PLACES ±		A3				SERIES	MATERIAL NUMBER	CUSTOMER		
ANGULAR TOL = 3.0		DRAFT WHERE APPLICABLE MUST REMAIN WITHIN DIMENSIONS				87832	SEE TABLE	GENERAL MARKET		
ADD -5242&-5243		REV				DOCUMENT NUMBER		DOC TYPE	DOC PART	SHEET NUMBER
A8						SD-87832-013		PSD	001	2 OF 2