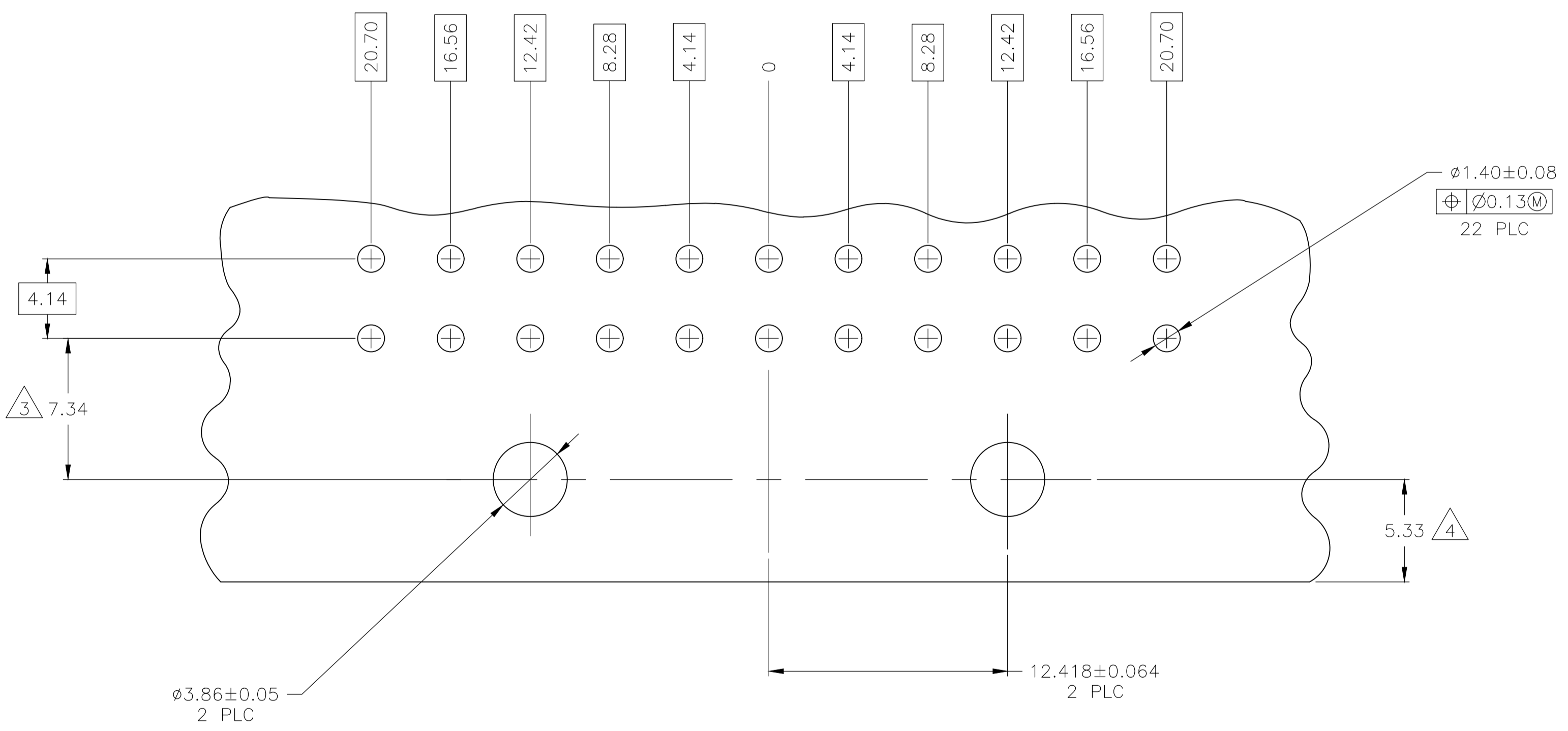
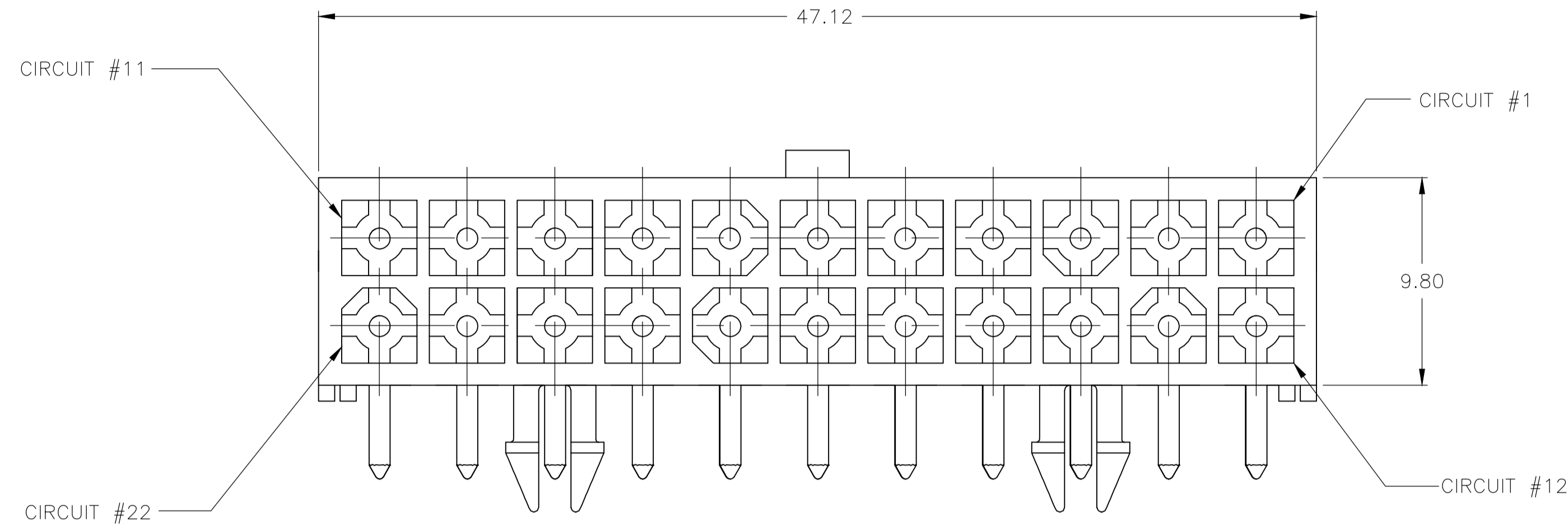
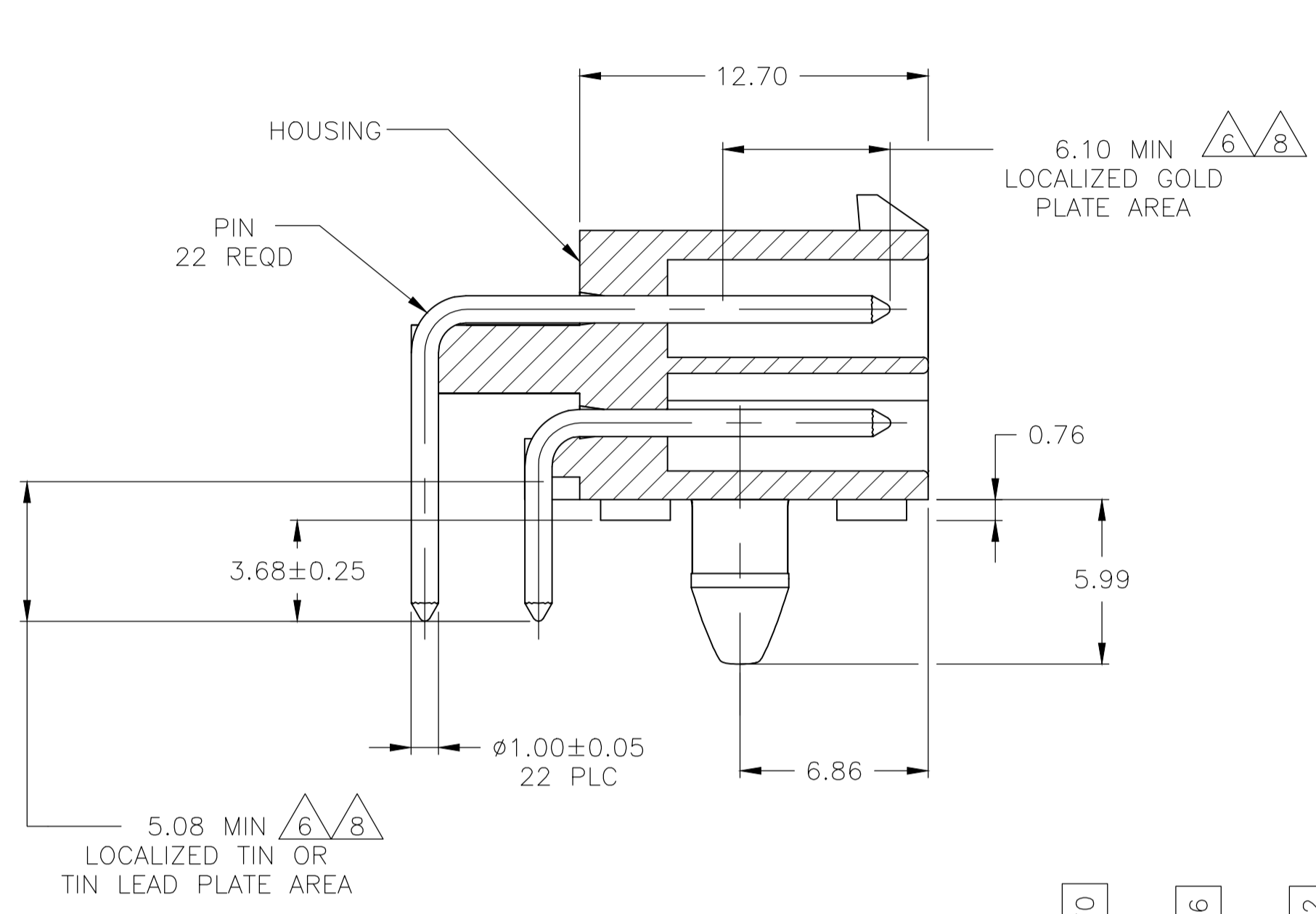


LOC		DIST		REVISIONS				
CM	53	P	LTR	DESCRIPTION	DATE	DMN	APVD	
		C1		REVISED PER ECR-18-003467	28MAR2018	BDA	SG	

- PINS TO COMPLY WITH AMP SOLDERABILITY SPEC 109-11-3.
- MATES WITH PLUG P/N 770586-1.
- COORDINATE DIMENSION APPLIES FROM CENTER OF ACTUAL FEATURE.
- RECOMMENDED FOR EDGE MOUNTING.
- 0.00381 MIN MATTE TIN LEAD PLATE OVER 0.00127 MIN NICKEL.
- 0.00076 MIN GOLD PLATE IN THE LOCALIZED GOLD PLATE AREA, 0.00381 MATTE TIN LEAD IN THE LOCALIZED PLATE AREA, BOTH OVER 0.00127 MIN NICKEL.
- 0.00381 MIN MATTE TIN PLATE OVER 0.00127 MIN NICKEL.
- 0.00076 MIN GOLD PLATE IN THE LOCALIZED GOLD PLATE AREA, 0.00381 MIN MATTE TIN IN THE LOCALIZED TIN PLATE AREA, BOTH OVER 0.00127 MIN NICKEL.



RECOMMENDED MOUNTING HOLE PATTERN FOR 1.57 THICK P.C. BOARD

MM	IN	MM	IN	MM	IN
1.00	.039	6.86	.270	-	-
0.76	.030	6.10	.240	47.12	1.855
0.25	.010	5.99	.236	20.70	.815
0.13	.005	5.33	.210	16.56	.652
0.08	.003	5.08	.200	12.70	.500
0.064	.0025	4.14	.163	12.42	.489
0.05	.002	3.86	.152	12.418	.4889
0.00381	.000150	3.68	.145	9.80	.386
0.00127	.000050	1.57	.062	8.28	.326
0.00076	.000030	1.40	.055	7.34	.289

CONVERSION TABLE

BRASS	△8	NYLON, UL94V-0	WHITE	1-794107-1
BRASS	△7	NYLON, UL94V-0	WHITE	1-794107-0
OBSOLETE	GOLD △6	NYLON, UL94V-0	WHITE	-794107-2-
BRASS	TIN LEAD △5	NYLON, UL94V-0	WHITE	794107-1
MATERIAL	FINISH	MATERIAL	COLOR	PART NO
PIN		HOUSING		
THIS DRAWING IS A CONTROLLED DOCUMENT.		DIN K WHITAKER 02APR96 CHK R SWING 02APR96 APVD R ORSTAD 02APR96 NAME:		
DIMENSIONS: mm		TOLERANCES UNLESS OTHERWISE SPECIFIED: 0 PLC ± - 1 PLC ± - 2 PLC ± 0.13 3 PLC ± - 4 PLC ± - ANGLES ± -		
MATERIAL SEE TABLE		FINISH SEE TABLE WEIGHT SIZE: A1 CASE CODE: 00779 DRAWING NO: 794107 RESTRICTED TO:		
CUSTOMER DRAWING		SCALE: 5:1 SHEET: 1 of 1 REV: C1		