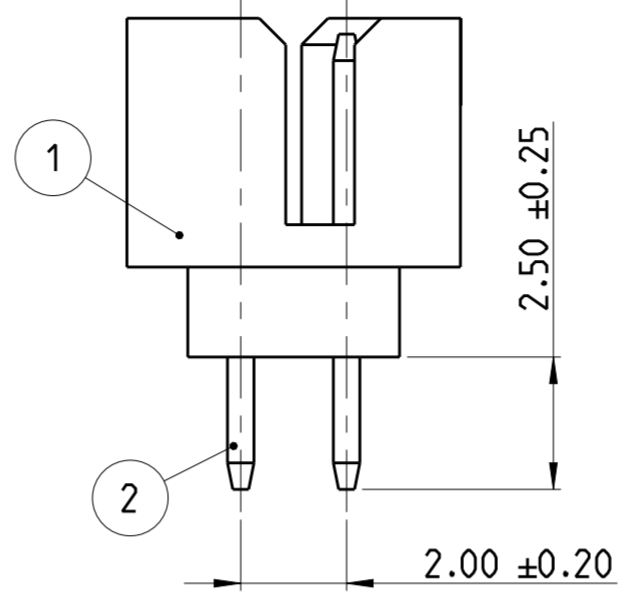
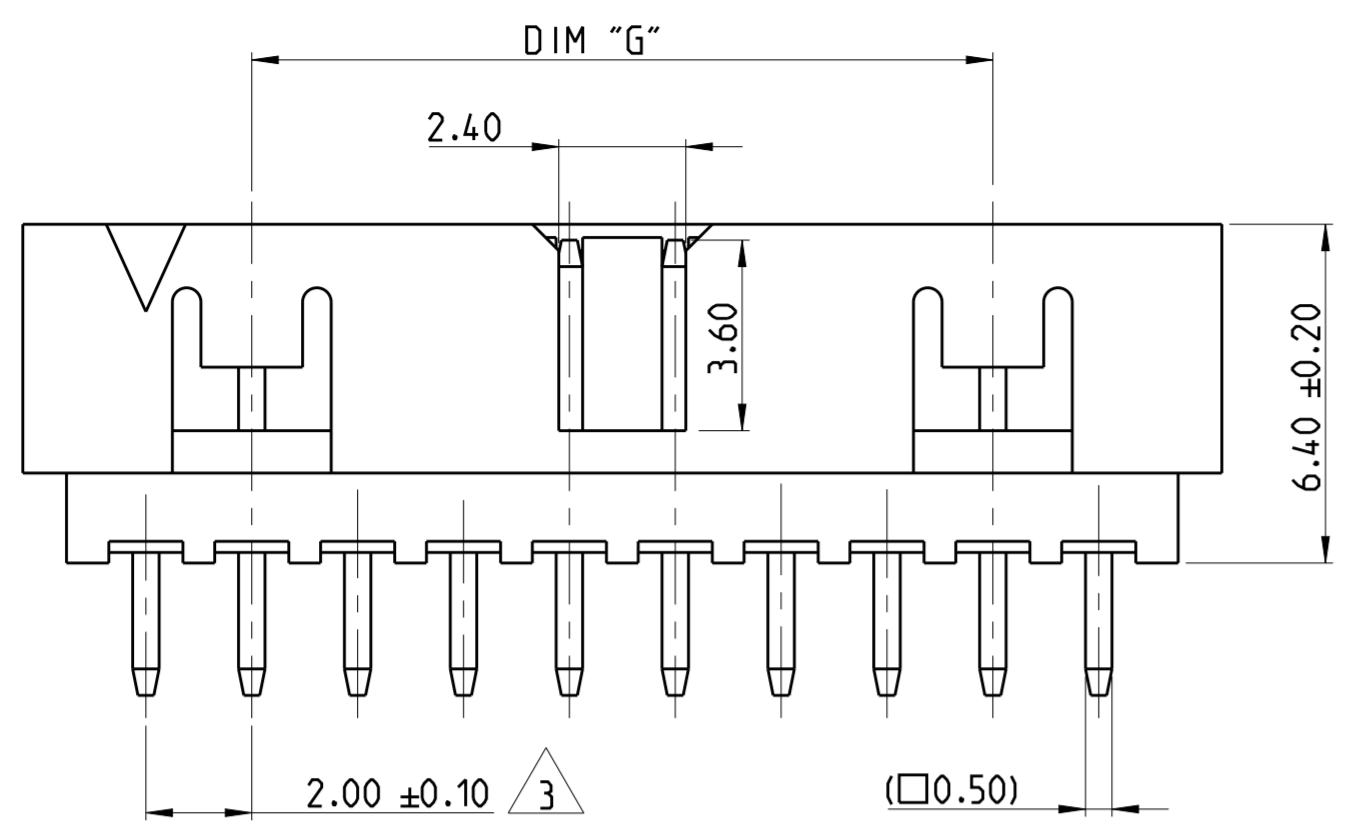
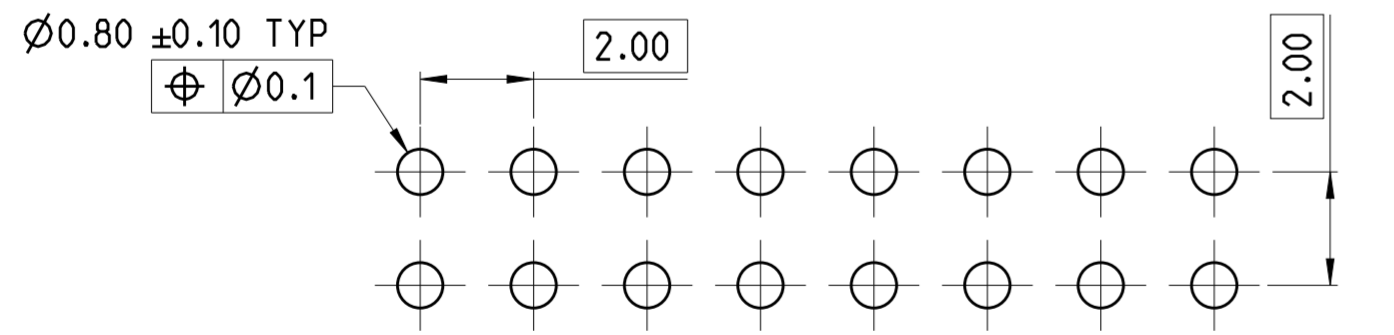
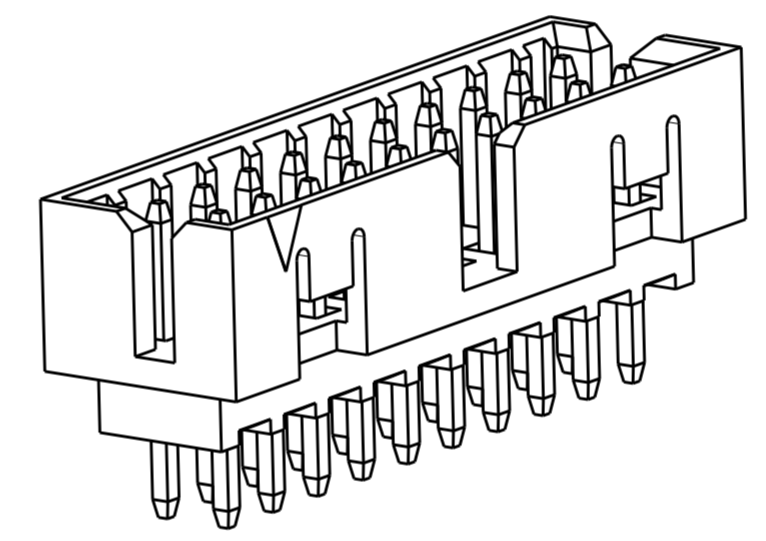
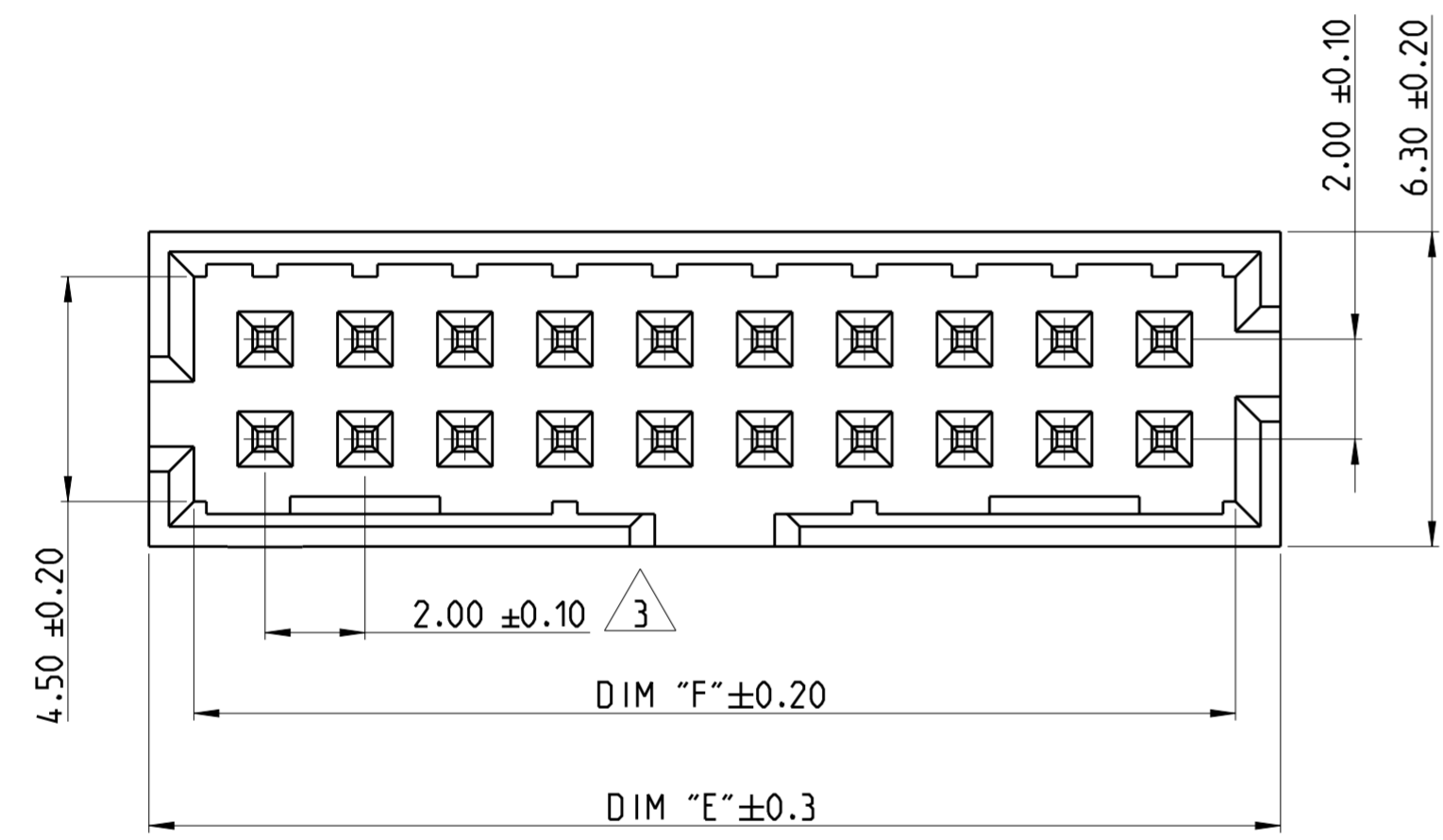


© 2019 TE Connectivity. All Rights Reserved.

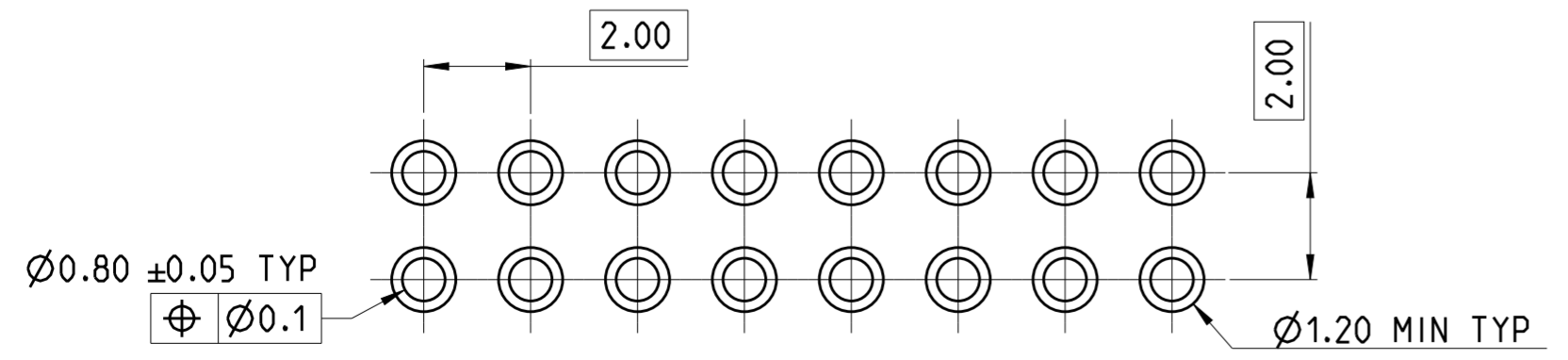
REVISIONS				
P	LTR	DESCRIPTION	DATE	APVD
A		RELEASE TO PRODUCTION	28NOV2019	AY PS



- NOTES:
- MATERIAL
HOUSING : HIGH TEMPERATURE THERMOPLASTIC, UL94-V0; COLOR- BLACK
POST : COPPER ALLOY
FINISH : MIN. 2.0 µm TIN OVER NICKEL UNDER PLATING.
 - PACKAGING: TUBE
 - TOLERANCE NOT CUMULATIVE.



RECOMMENDED PCB HOLE PATTERN FOR THROUGH HOLE WAVE



RECOMMENDED PCB HOLE PATTERN FOR THROUGH HOLE REFLOW /PIN-IN-PASTE

2-2842235-0 AS SHOWN

44	50.85	52.65	50	5-2842235-0
38	44.85	46.65	44	4-2842235-4
34	40.85	42.65	40	4-2842235-0
28	34.85	36.65	34	3-2842235-4
24	30.85	32.65	30	3-2842235-0
20	26.85	28.65	26	2-2842235-6
18	24.85	26.65	24	2-2842235-4
14	20.85	22.65	20	2-2842235-0
10	16.85	18.65	16	1-2842235-6
8	14.85	16.65	14	1-2842235-4
DIM "G"	DIM "F"	DIM "E"	POS.	TE PN.

CONTACT PIN	2
HOUSING	1
DESCRIPTION	ITEM NO.

DIMENSIONS:		TOLERANCES UNLESS OTHERWISE SPECIFIED:	
mm		0 PLC	±
		1 PLC	±
		2 PLC	±0.25
		3 PLC	±
		4 PLC	±
		ANGLES	±2°
		FINISH	-

THIS DRAWING IS A CONTROLLED DOCUMENT.

DWN ANKIT YADAV 12NOV2019
CHK KARTHIK JK 25NOV2019
APVD PRASHANTH S. 27NOV2019

TE Connectivity

NAME AMPMODU 2mm SHROUDED HEADER, DUAL ROW, VERTICAL TH. SN. TUBE

PRODUCT SPEC 108-64040
APPLICATION SPEC 114-32259

SIZE A2 CAGE CODE 00779 DRAWING NO. C-2842235 RESTRICTED TO -

CUSTOMER DRAWING SCALE 5:1 SHEET 1 OF 1 REV A