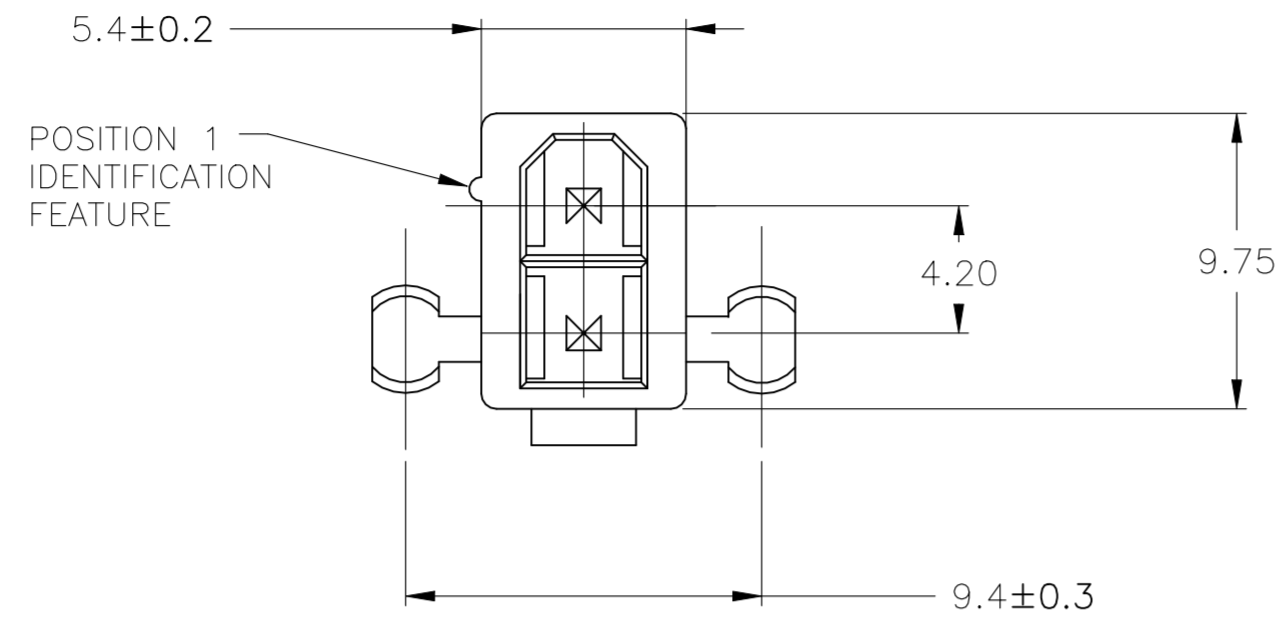


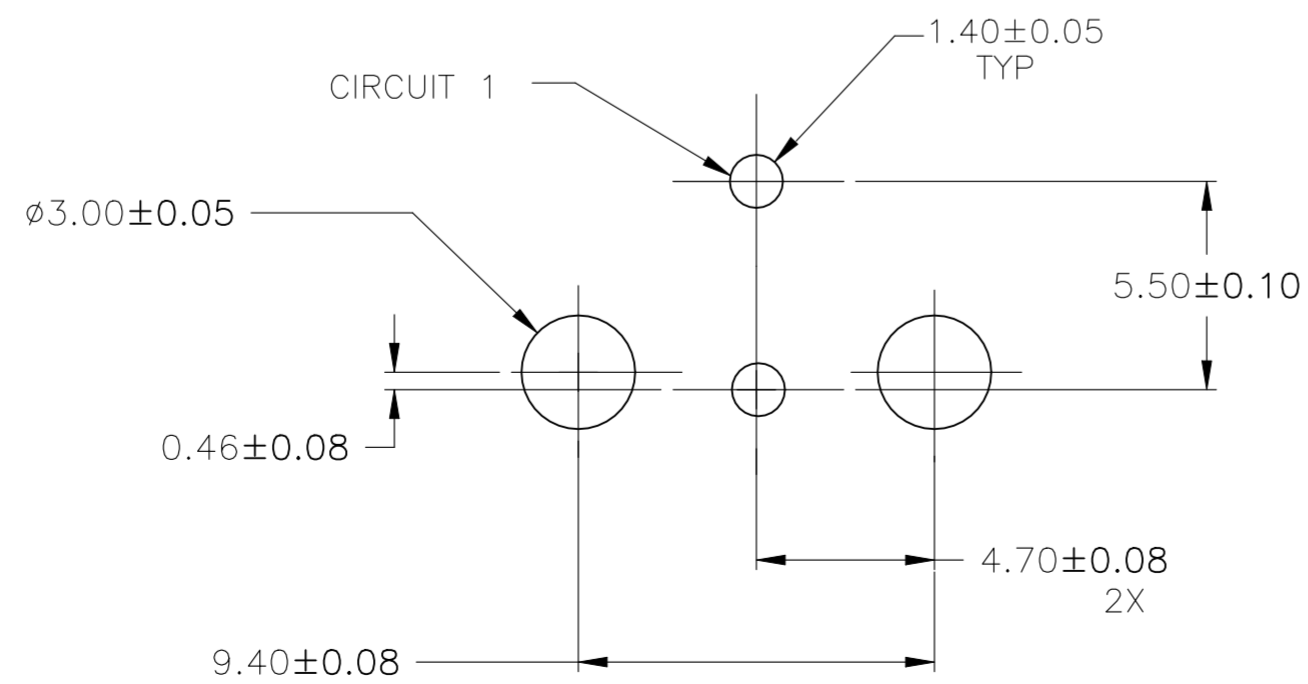
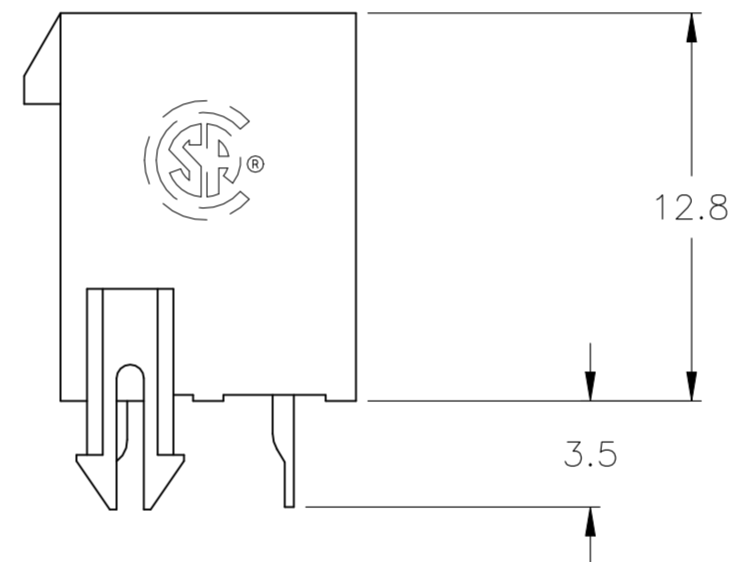
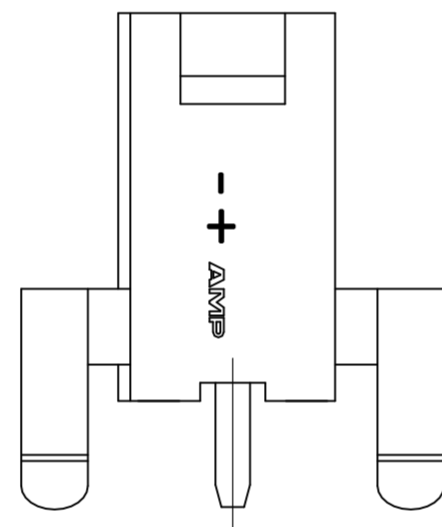
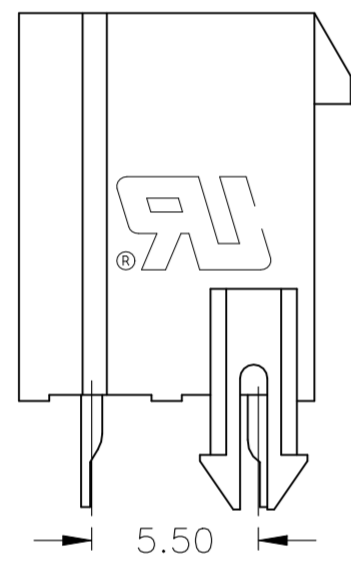
| REVISIONS | | | | | |
|-----------|-----|---------------------------|-----------|-----|------|
| P | LTR | DESCRIPTION | DATE | DWN | APVD |
| C | | REVISED PER ECR-23-163258 | 20NOV2023 | P.C | D.Z |



1 MATERIAL: HOUSING: THERMOPLASTIC NYLON66UL94V-0.
BLUE COLOR.

CONTACTS: BRASS, TIN-PLATED.

2 MATES WITH VAL-U-LOK REC HOUSINGS



PCB LAYOUT: COMPONENT SIDE
RECOMMENDED BOARD THICKNESS 1.78

1586742-1
PART NUMBER

| | | | | | |
|-------------------------------------------------------------|--|---------------------------------|-------------------------------------------------------------------------|--------------------|-------------------------|
| THIS DRAWING IS A CONTROLLED DOCUMENT. | | DWN K. WHITAKER 06JAN2006 | | | |
| DIMENSIONS: mm | | CHK D. COLEY 06JAN2006 | | | |
| TOLERANCES UNLESS OTHERWISE SPECIFIED: | | APVD D. COLEY 06JAN2006 | NAME VERTICAL HEADER WITH PEGS, WITH DRAIN HOLES VAL-U-LOK(TM) | | |
| 0 PLC ± 1 PLC ± 0.5 2 PLC ± 0.5 3 PLC ± 4 PLC ± | | PRODUCT SPEC 108-2112 | SIZE A2 | CAGE CODE 00779 | DRAWING NO C=1586742 |
| MATERIAL 1 | | FINISH | WEIGHT - | SCALE 10:1 | SHEET 1 of 1 |
| CUSTOMER DRAWING | | | RESTRICTED TO - | REV C | |