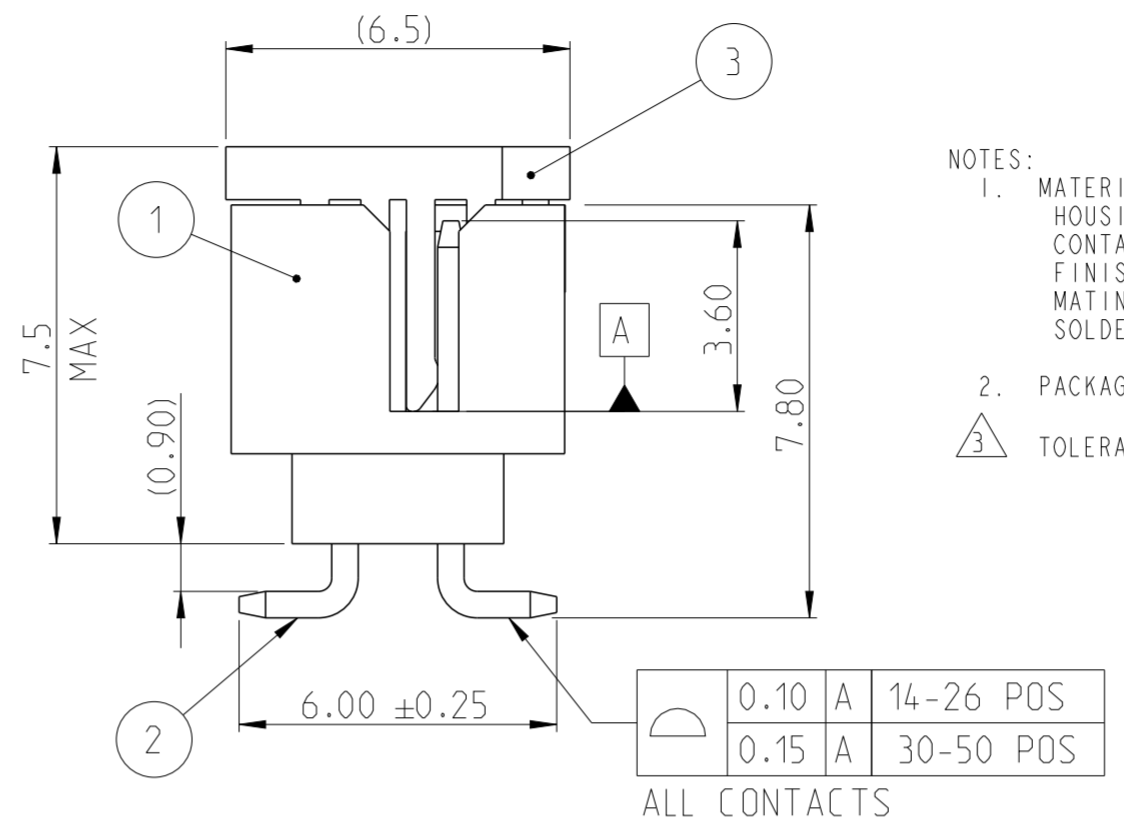
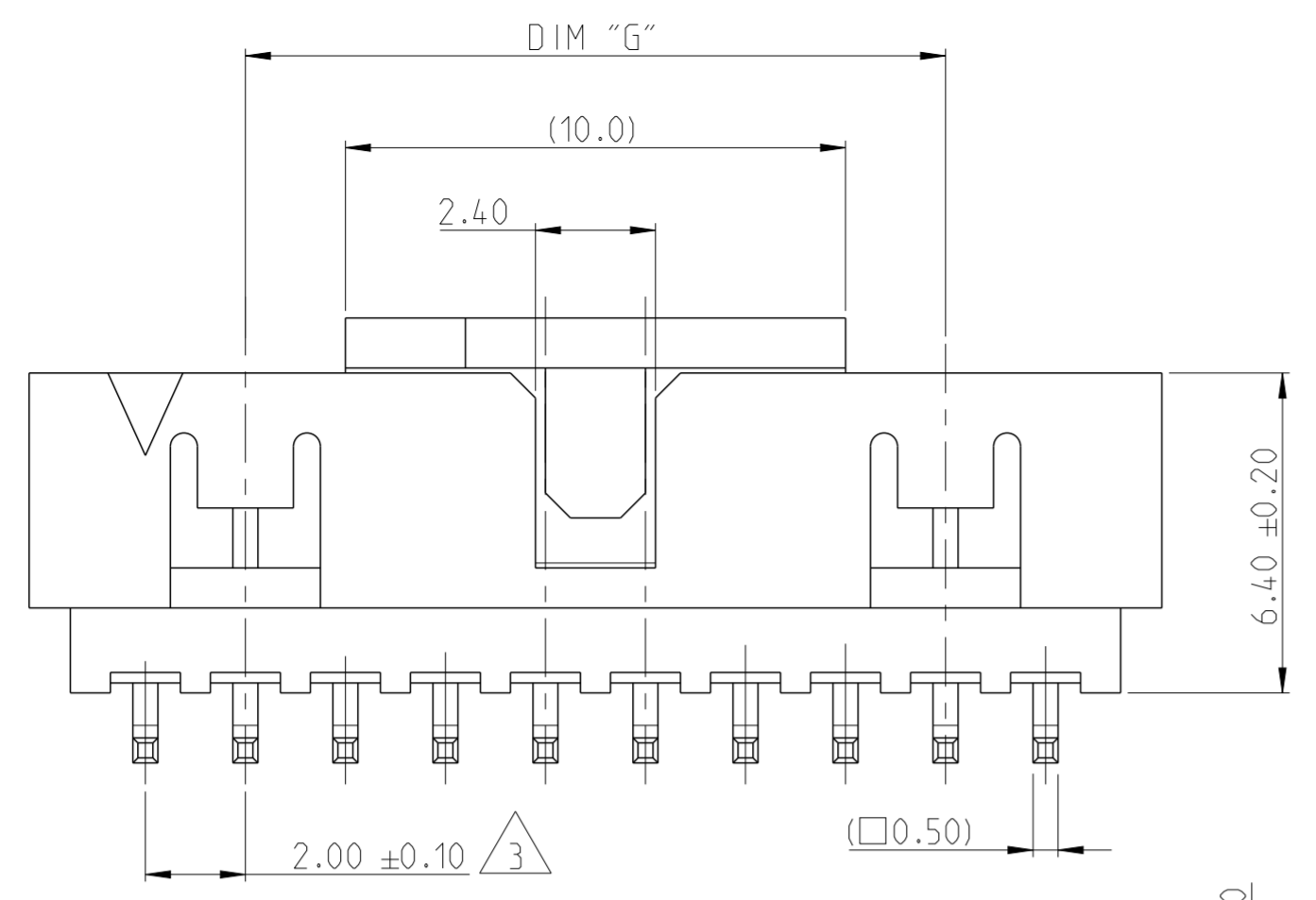
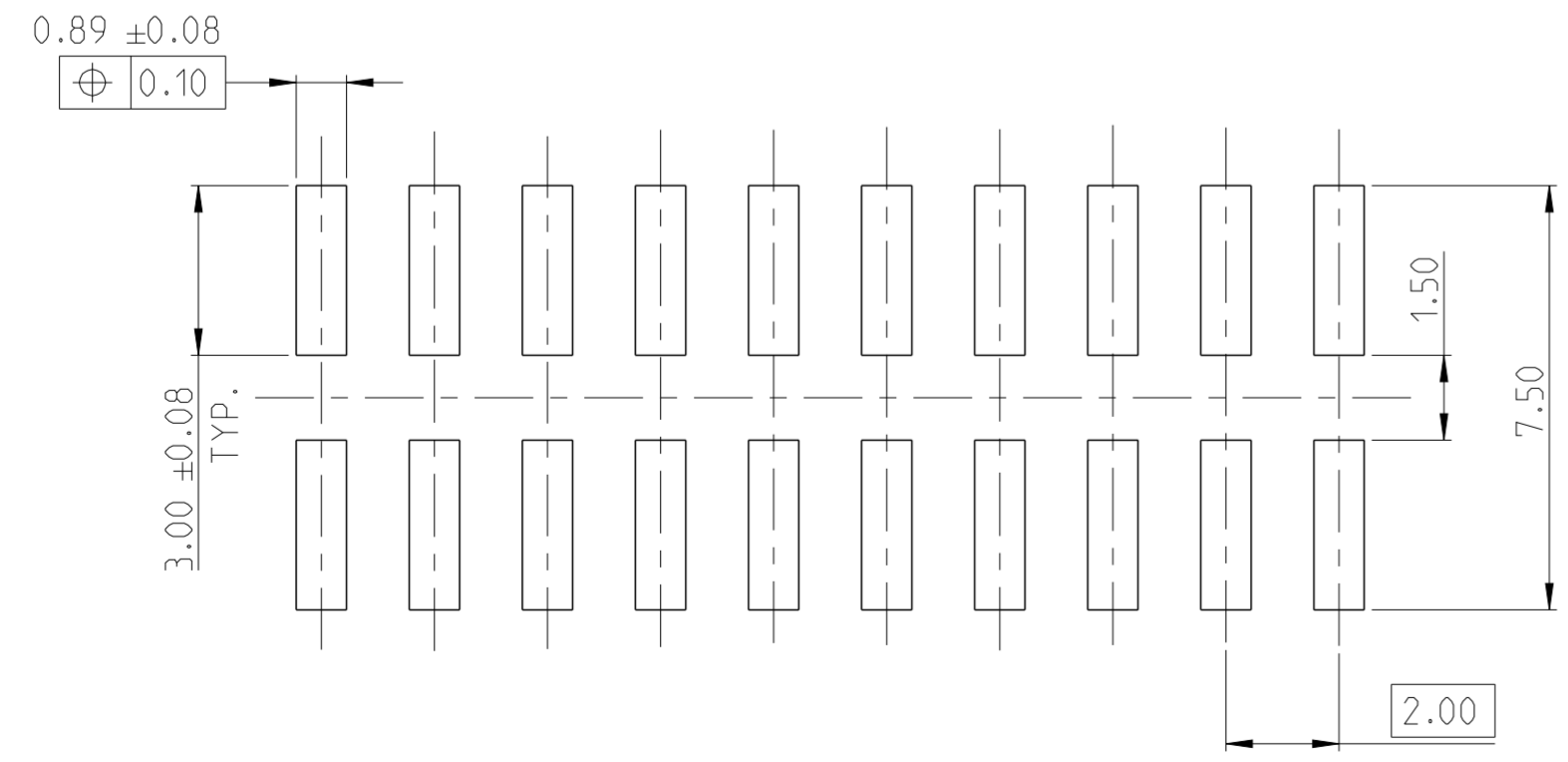
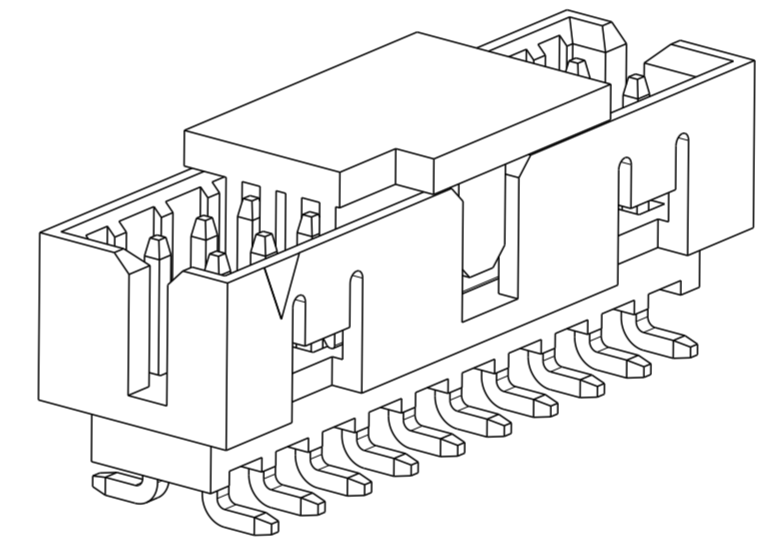
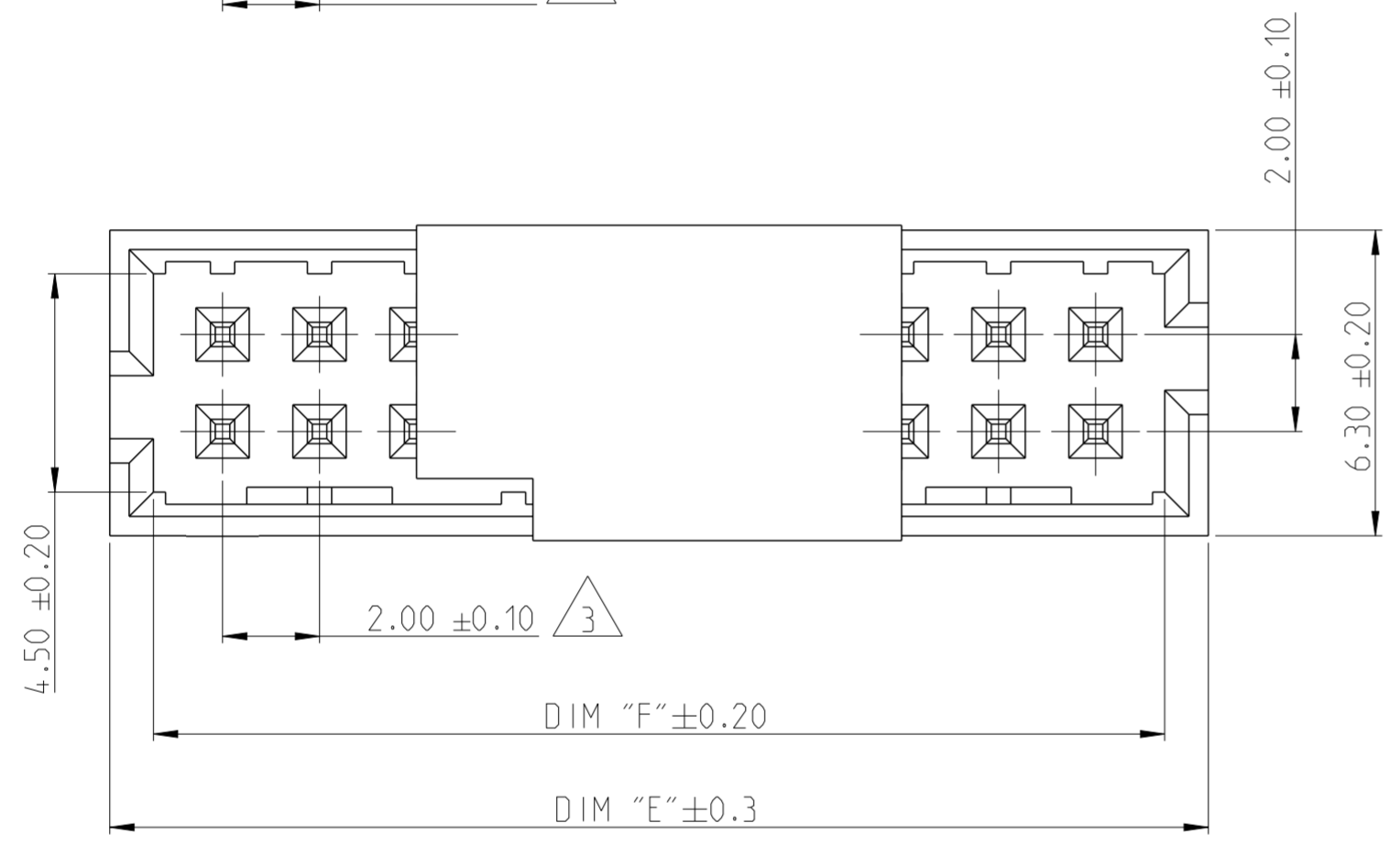


| REVISIONS |     |                                     |           |       |
|-----------|-----|-------------------------------------|-----------|-------|
| P         | LTR | DESCRIPTION                         | DATE      | APVD  |
| A         |     | RELEASE TO PRODUCTION               | 09DEC2019 | AY PS |
| A1        |     | DIMENSION F REMOVED FROM PCB LAYOUT | 11JUN2020 | AY PS |



NOTES:  
 1. MATERIAL  
 HOUSING & P&P CAP : HIGH TEMPERATURE THERMOPLASTIC, UL94-V0; COLOR- BLACK  
 CONTACT PIN : COPPER ALLOY  
 FINISH :  
 MATING SIDE: MIN. 0.38 μm GOLD OVER NICKEL UNDER PLATING.  
 SOLDER SIDE: MIN. 2.0 μm TIN OVER NICKEL UNDER PLATING.  
 2. PACKAGING: TUBE (WITH PICK AND PLACE CAP)  
 3. TOLERANCE NOT CUMULATIVE.



2-2842245-0 AS SHOWN

|                         |       |       |      |             |
|-------------------------|-------|-------|------|-------------|
| 44                      | 50.85 | 52.65 | 50   | 5-2842245-0 |
| 38                      | 44.85 | 46.65 | 44   | 4-2842245-4 |
| 34                      | 40.85 | 42.65 | 40   | 4-2842245-0 |
| 28                      | 34.85 | 36.65 | 34   | 3-2842245-4 |
| 24                      | 30.85 | 32.65 | 30   | 3-2842245-0 |
| 20                      | 26.85 | 28.65 | 26   | 2-2842245-6 |
| 18                      | 24.85 | 26.65 | 24   | 2-2842245-4 |
| 14                      | 20.85 | 22.65 | 20   | 2-2842245-0 |
| 10                      | 16.85 | 18.65 | 16   | 1-2842245-6 |
| 8                       | 14.85 | 16.65 | 14   | 1-2842245-4 |
| DIM "G" DIM "F" DIM "E" |       |       | POS. | TE PN.      |

|                    |          |
|--------------------|----------|
| PICK AND PLACE CAP | 3        |
| CONTACT PIN        | 2        |
| HOUSING            | 1        |
| DESCRIPTION        | ITEM NO. |

|  |       |                             |
|--|-------|-----------------------------|
| THIS DRAWING IS A CONTROLLED DOCUMENT. |       | DWN ANKIT YADAV 12NOV2019   |
| DIMENSIONS: mm                         |       | CHK KARTHIK JK 25NOV2019    |
| TOLERANCES UNLESS OTHERWISE SPECIFIED: |       | APVD PRASHANTH S. 27NOV2019 |
| 0 PLC                                  | ±     | PRODUCT SPEC                |
| 1 PLC                                  | ±     | 108-64040                   |
| 2 PLC                                  | ±0.25 | APPLICATION SPEC            |
| 3 PLC                                  | ±     | 114-32259                   |
| 4 PLC                                  | ±     | WEIGHT -                    |
| ANGLES                                 | ±2°   | CUSTOMER DRAWING            |
| FINISH                                 | -     |                             |

|                 |           |   |               |
|-----------------|-----------|---|---------------|
| TE Connectivity |           | NAME  |               |
|                 |           | AMPMODU 2mm, SHROUDED HEADER, DUAL ROW, VERTICAL SMD, 0.38 Au, TUBE WITH PICK AND PLACE CAP |               |
| SIZE            | CAGE CODE | DRAWING NO  | RESTRICTED TO |
| A2              | 00779     | C-2842245   | -             |
| SCALE 5:1       |           | SHEET 1 OF 1  | REV A1        |