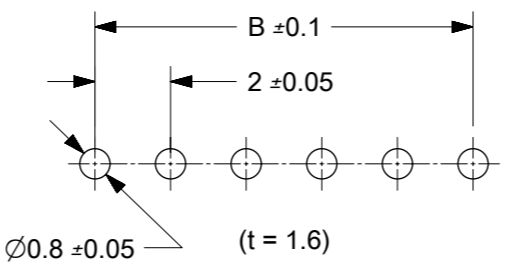
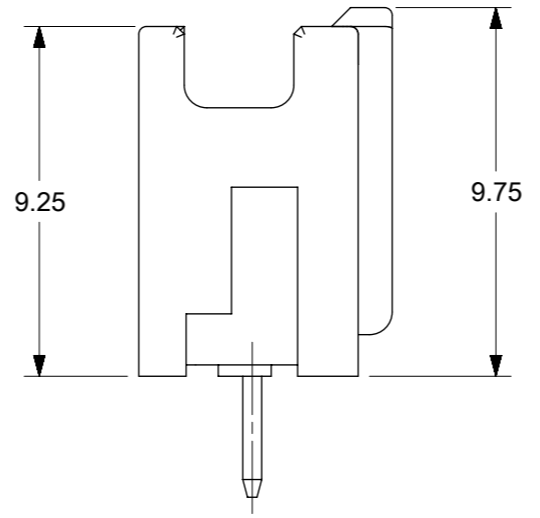
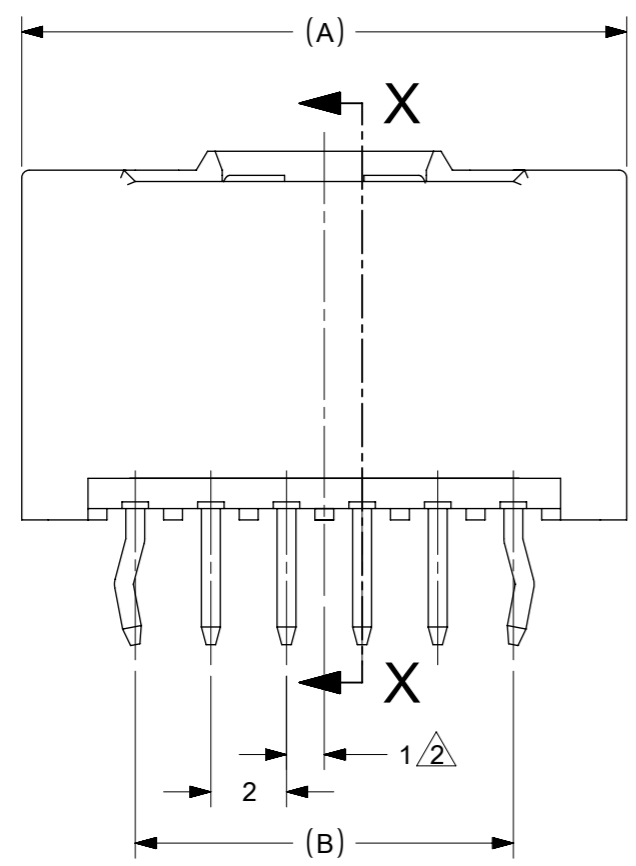


SECTION X-X



- NOTE
- MATE WITH 51382-XXXX
 - APPLY EVEN CIRCUIT PRODUCTS
 - KINK TO BE APPLIED BOTH ENDS
 - MATERIALS
HOUSING : PBT, UL94V-0
PIN : BRASS
 - FINISHES : PIN TERMINAL
PREPLATED TIN 1µm MIN.
NICKEL UNDERPLATE 0.5µm MIN.
 - MATERIAL NO.
55932- X X X X

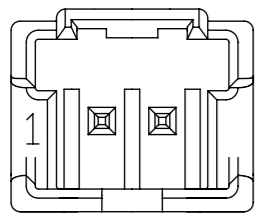
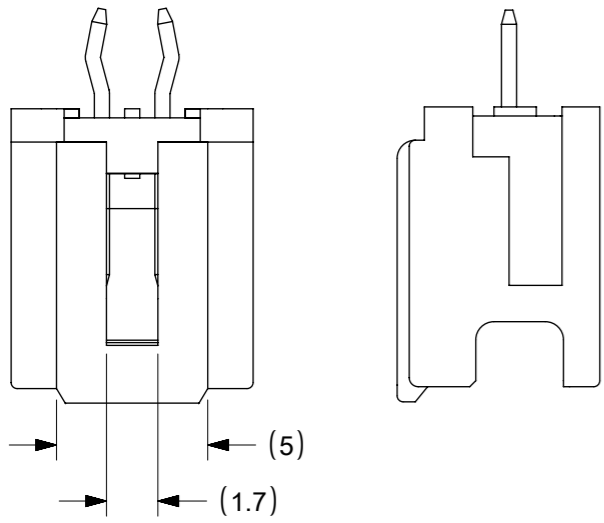
CIRCUIT SIZE5 COLOR

30	NATURAL (WHITE)
31	BLACK
32	RED
33	YELLOW
34	BLUE
35	PINK
36	GREEN
37	BROWN
38	ORANGE
39	VIOLET
51	GRAY
53	FLUORESCENT YELLOW
54	PALE BLUE
55	FLUORESCENT PINK
56	YELLOWISH GREEN
58	FLUORESCENT ORANGE

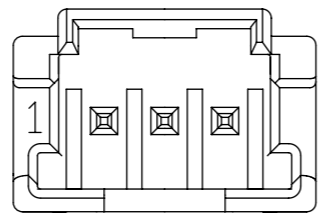
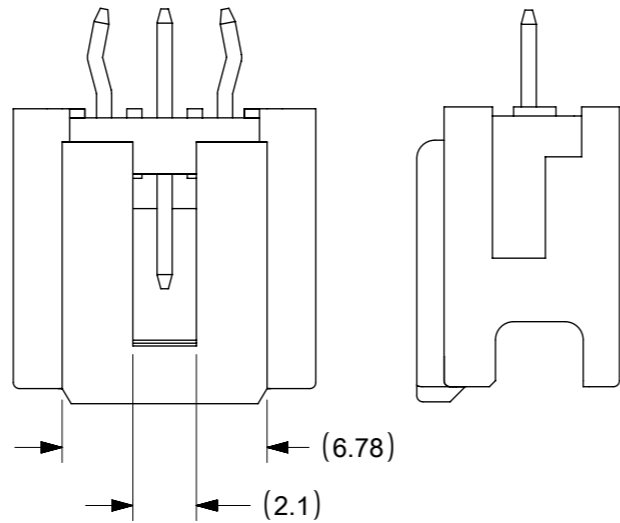
CKT.	△ MATERIAL NO.	A	B	C
2	55932-02XX	8	2	5
3	55932-03XX	10	4	7
4	55932-04XX	12	6	9
5	55932-05XX	14	8	11
6	55932-06XX	16	10	13
7	55932-07XX	18	12	15
8	55932-08XX	20	14	17
9	55932-09XX	22	16	19
10	55932-10XX	24	18	21
11	55932-11XX	26	20	23
12	55932-12XX	28	22	25
13	55932-13XX	30	24	27
14	55932-14XX	32	26	29
15	55932-15XX	34	28	31

MODEL NO. : 55932-****

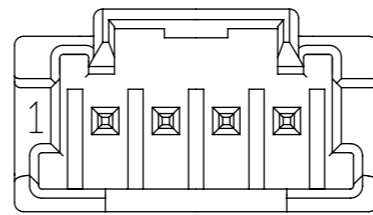
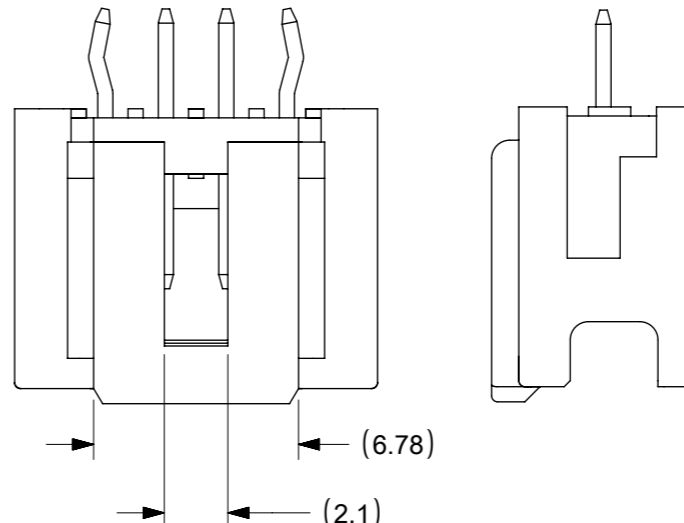
FUNCTIONAL SYMBOLS √A = 0 √E = 0 √F = 0	THIS DRAWING CONTAINS INFORMATION THAT IS PROPRIETARY TO MOLEX ELECTRONIC TECHNOLOGIES, LLC AND SHOULD NOT BE USED WITHOUT WRITTEN PERMISSION	SCALE	 2.0 W/B CONN. PLUG HOUSING ASSY ST -LEAD FREE- PRODUCT CUSTOMER DRAWING					
	DIMENSION UNITS	NTS				CURRENT REV DESC: MIGRATED TO ECTR		
	GENERAL TOLERANCES (UNLESS SPECIFIED)					EC NO: 634332	2020/03/02	
	ANGULAR TOL ± 3.0°					DRWN: SS06	2020/03/19	
DIVISIONAL SYMBOLS	4 PLACES ±	3 PLACES ±	APPR: ISHWARG	2020/03/19				
	2 PLACES ± 0.2	1 PLACE ± 0.2	INITIAL REVISION:					
	0 PLACES ± 0.2	DRAFT WHERE APPLICABLE MUST REMAIN WITHIN DIMENSIONS	DRWN: TNIITSU	2002/02/18				
		THIRD ANGLE PROJECTION	APPR: KASAKAWA	2002/02/20				
		DRAWING	SERIES	MATERIAL NUMBER	CUSTOMER			
		A3-SIZE	55932	SEE TABLE	GENERAL MARKET			
				DOCUMENT NUMBER	DOC TYPE DOC PART REVISION			
				SD-55932-006	PSD 001 H1			
					SHEET NUMBER			
					1 OF 2			



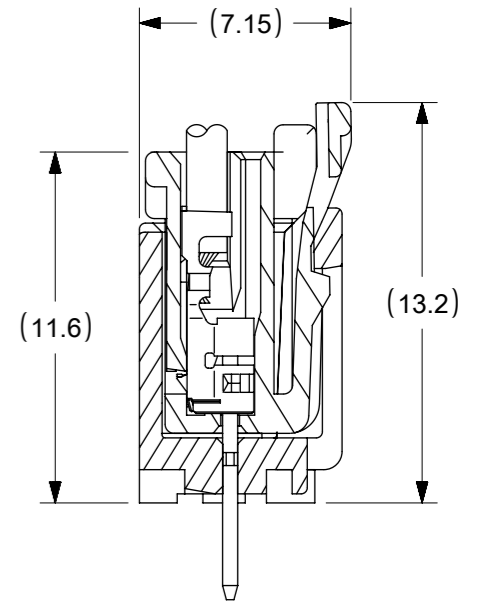
2 CIRCUIT



3 CIRCUIT

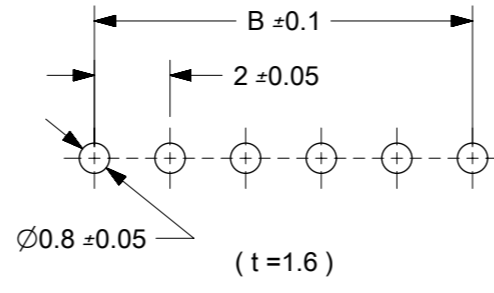
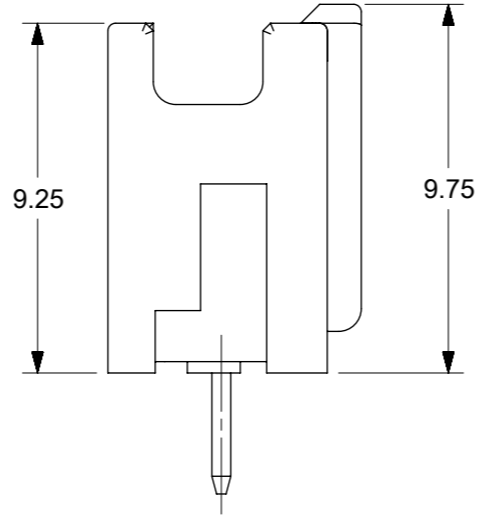
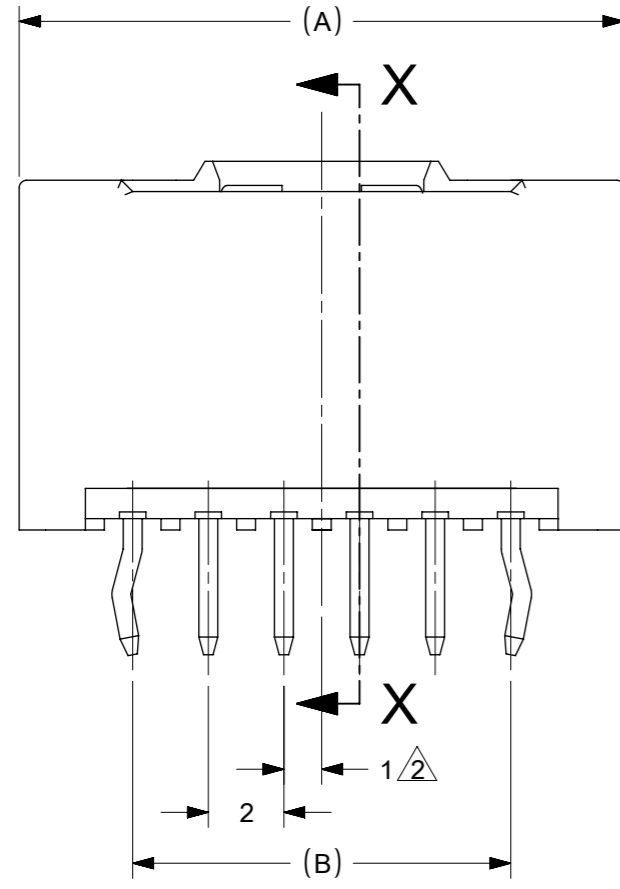
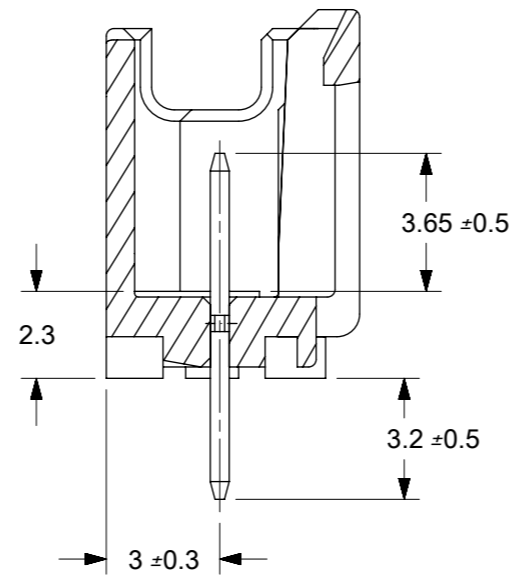
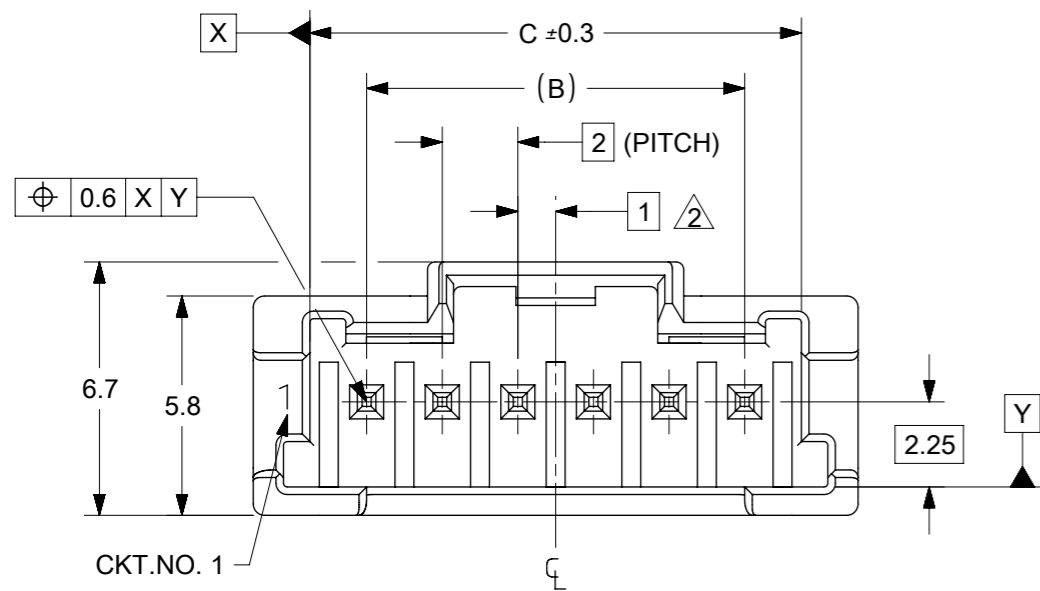


4 CIRCUIT



MATING CROSS SECTION

FUNCTIONAL SYMBOLS	THIS DRAWING CONTAINS INFORMATION THAT IS PROPRIETARY TO MOLEX ELECTRONIC TECHNOLOGIES, LLC AND SHOULD NOT BE USED WITHOUT WRITTEN PERMISSION		CURRENT REV DESC: MIGRATED TO ECTR					
	$\nabla/A = 0$ $\nabla/E = 0$ $\nabla/P = 0$	DIMENSION UNITS mm						SCALE NTS
DIVISIONAL SYMBOLS	4 PLACES	\pm	EC NO: 634332	2020/03/02	2.0 W/B CONN. PLUG HOUSING ASSY ST -LEAD FREE-			
	3 PLACES	\pm	DRWN: SS06	2020/03/19				PRODUCT CUSTOMER DRAWING
	2 PLACES	± 0.2	CHK'D: SS06	2020/03/19	DOCUMENT NUMBER	DOC TYPE	DOC PART	
	1 PLACE	± 0.2	APPR: ISHWARG	2020/03/19	SD-55932-006	PSD	001	H1
0 PLACES	± 0.2	INITIAL REVISION:	2002/02/18	MATERIAL NUMBER	CUSTOMER	SHEET NUMBER		
DRAFT WHERE APPLICABLE MUST REMAIN WITHIN DIMENSIONS		THIRD ANGLE PROJECTION	DRAWING	SERIES	SEE SHEET 1	GENERAL MARKET	2 OF 2	



NOTE

1. MATE WITH 51382-XXXX
2. APPLY EVEN CIRCUIT PRODUCTS
3. KINK TO BE APPLIED BOTH ENDS
4. MATERIALS
HOUSING : PBT, UL94V-0
PIN : BRASS
5. FINISHES : PIN TERMINAL
PREPLATED TIN 1µm MIN.
NICKEL UNDERPLATE 0.5µm MIN.
6. MATERIAL NO.

55932- X X X X

CIRCUIT SIZE — COLOR

30	NATURAL (WHITE)
31	BLACK
32	RED
33	YELLOW
34	BLUE
35	PINK
36	GREEN
37	BROWN
38	ORANGE
39	VIOLET
51	GRAY
53	FLUORESCENT YELLOW
54	PALE BLUE
55	FLUORESCENT PINK
56	YELLOWISH GREEN
58	FLUORESCENT ORANGE

CKT.	△ MATERIAL NO.	A	B	C
2	55932-02XX	8	2	5
3	55932-03XX	10	4	7
4	55932-04XX	12	6	9
5	55932-05XX	14	8	11
6	55932-06XX	16	10	13
7	55932-07XX	18	12	15
8	55932-08XX	20	14	17
9	55932-09XX	22	16	19
10	55932-10XX	24	18	21
11	55932-11XX	26	20	23
12	55932-12XX	28	22	25
13	55932-13XX	30	24	27
14	55932-14XX	32	26	29
15	55932-15XX	34	28	31

MODEL NO. : 55932- ****

THIS DRAWING CONTAINS INFORMATION THAT IS PROPRIETARY TO MOLEX ELECTRONIC TECHNOLOGIES, LLC AND SHOULD NOT BE USED WITHOUT WRITTEN PERMISSION

FUNCTIONAL SYMBOLS: $\nabla/A = 0$, $\nabla/E = 0$, $\nabla/P = 0$

DIVISIONAL SYMBOLS: 4 PLACES ±, 3 PLACES ±, 2 PLACES ± 0.2, 1 PLACE ± 0.2, 0 PLACES ± 0.2

THIS DRAWING CONTAINS INFORMATION THAT IS PROPRIETARY TO MOLEX ELECTRONIC TECHNOLOGIES, LLC AND SHOULD NOT BE USED WITHOUT WRITTEN PERMISSION

CURRENT REV DESC: MIGRATED TO ECTR

EC NO: 634332
DRWN: SS06
CHK'D: SS06
APPR: ISHWARG

INITIAL REVISION:
DRWN: YMAEDA
APPR: NUKITA

2020/03/02
2020/03/19
2020/03/19

2005/11/08
2005/11/09

THIRD ANGLE PROJECTION

DRAWING: A3-SIZE

SERIES: 55932

MATERIAL NUMBER: SEE TABLE

CUSTOMER: GENERAL MARKET

SHEET NUMBER: 1 OF 2

molex

2.0 W/B CONN.PLUG
HOUSING ASS'Y WO BOSS -LEAD FREE-

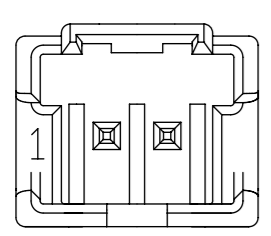
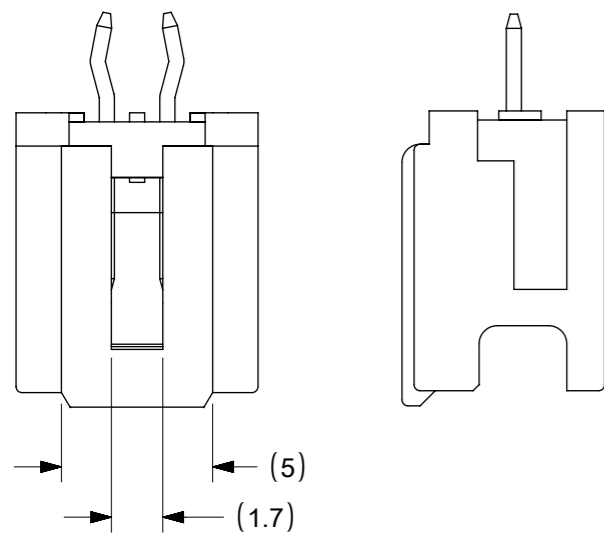
PRODUCT CUSTOMER DRAWING

DOCUMENT NUMBER: SD-55932-007

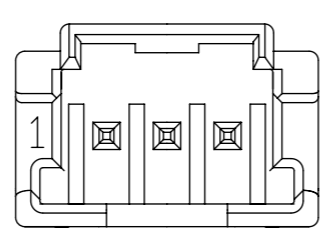
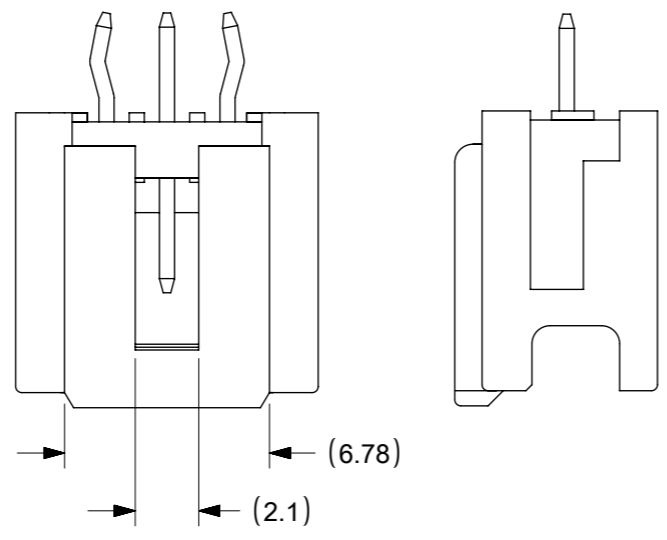
DOC TYPE: PSD

DOC PART: 001

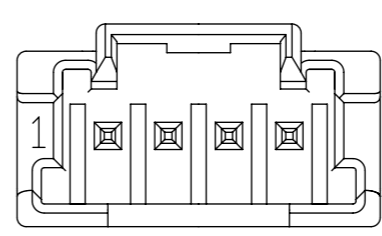
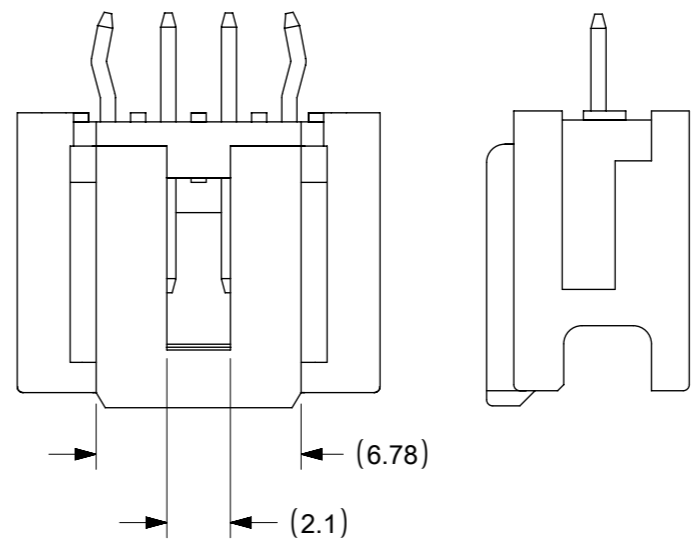
REVISION: A1



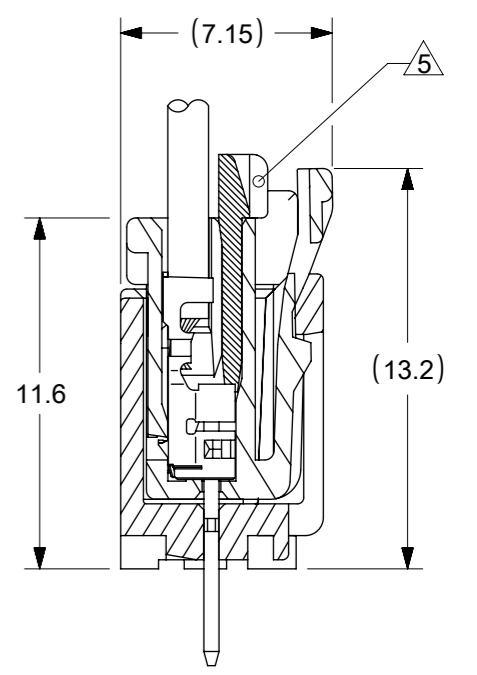
2 CIRCUIT



3 CIRCUIT



4 CIRCUIT



MATING CROSS SECTION

MODEL NO. : 55932-****

FUNCTIONAL SYMBOLS $\nabla_A = 0$ $\nabla_E = 0$ $\nabla_V = 0$	THIS DRAWING CONTAINS INFORMATION THAT IS PROPRIETARY TO MOLEX ELECTRONIC TECHNOLOGIES, LLC AND SHOULD NOT BE USED WITHOUT WRITTEN PERMISSION	CURRENT REV DESC: MIGRATED TO ECTR					
	DIMENSION UNITS: mm	SCALE: NTS	2.0 W/B CONN.PLUG HOUSING ASS'Y WO BOSS -LEAD FREE-				
	GENERAL TOLERANCES (UNLESS SPECIFIED)			PRODUCT CUSTOMER DRAWING			
	ANGULAR TOL ± 3.0°			DOCUMENT NUMBER: SD-55932-007			
4 PLACES ±			EC NO: 634332	2020/03/02	DOC TYPE: PSD	DOC PART: 001	REVISION: A1
3 PLACES ±			DRWN: SS06	2020/03/19	SERIES: 55932		MATERIAL NUMBER: SEE SHEET 1
2 PLACES ± 0.2			CHK'D: SS06	2020/03/19	CUSTOMER: GENERAL MARKET		SHEET NUMBER: 2 OF 2
1 PLACE ± 0.2			APPR: ISHWARG	INITIAL REVISION: DRWN: YMAEDA 2005/11/08			
0 PLACES ± 0.2			APPR: NUKITA	APPR: NUKITA 2005/11/09			
DRAFT WHERE APPLICABLE MUST REMAIN WITHIN DIMENSIONS			THIRD ANGLE PROJECTION	DRAWING: A3-SIZE			