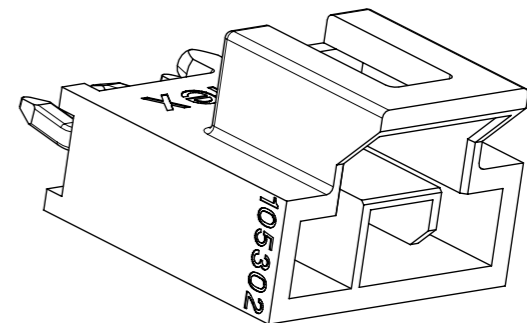
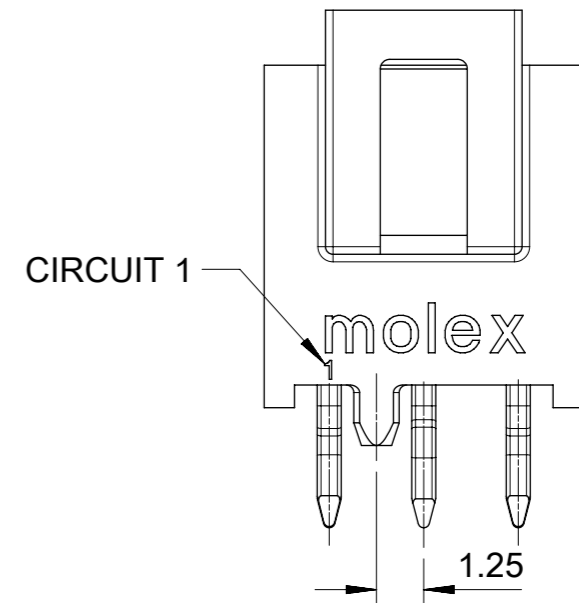
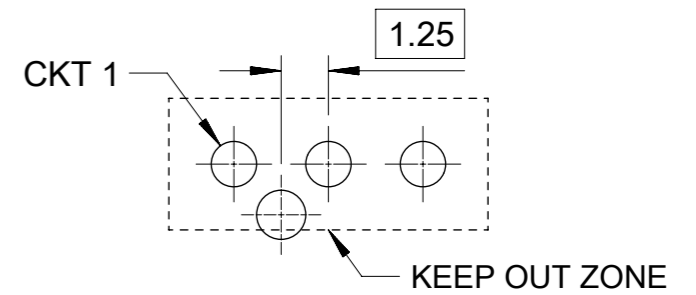
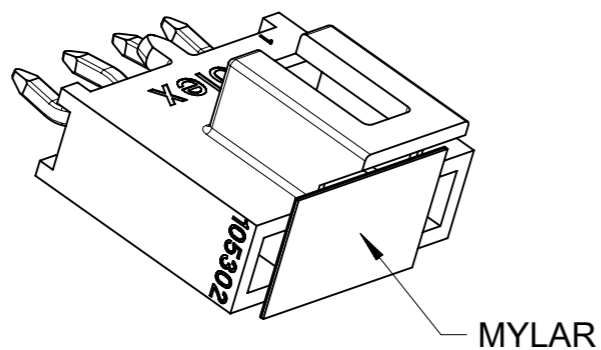


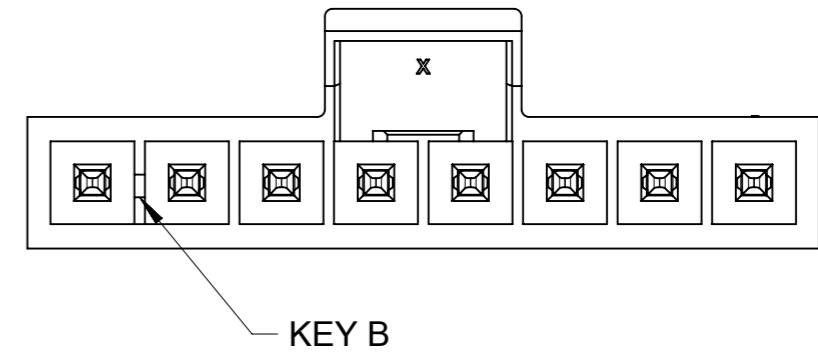
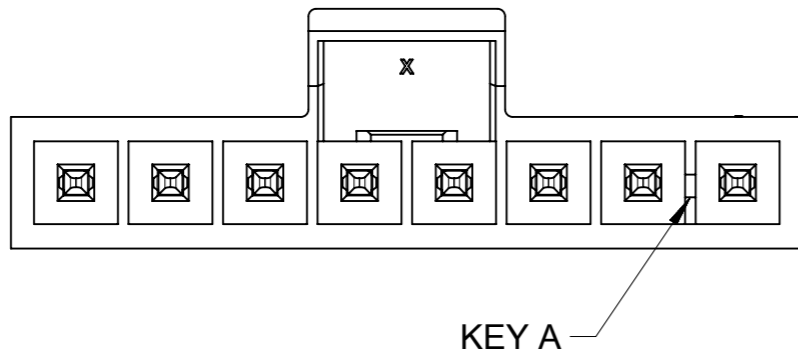
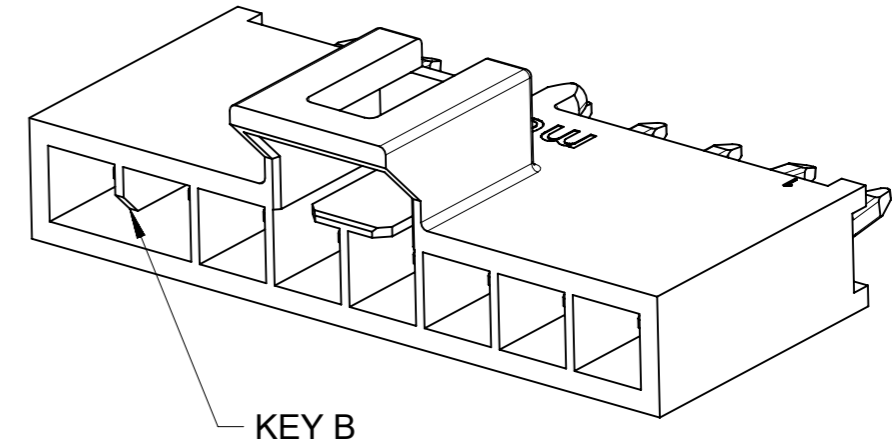
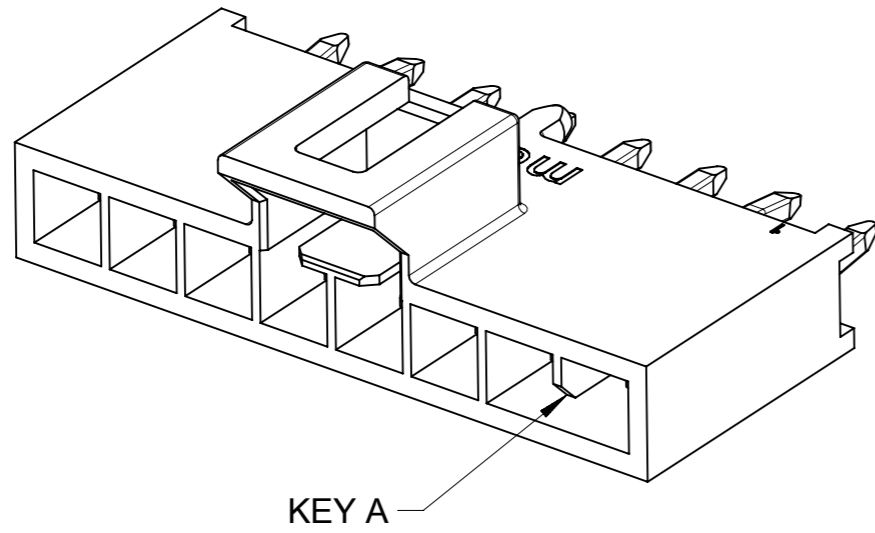
RECOMMENDED PCB(CONNECTOR SIDE VIEW)
THICKNESS= 1.6 TO 2.4 MM.



ONLY FOR CKT 3, 5, 7
OTHER DIMENSIONS REFER TO LEFT VIEWS.



FUNCTIONAL SYMBOLS	THIS DRAWING CONTAINS INFORMATION THAT IS PROPRIETARY TO MOLEX ELECTRONIC TECHNOLOGIES, LLC AND SHOULD NOT BE USED WITHOUT WRITTEN PERMISSION		CURRENT REV DESC:		molex	
	$\nabla_A = 0$ $\nabla_E = 0$ $\nabla_V = 0$	DIMENSION UNITS: mm SCALE: 1:1	EC NO: 648137 DRWN: GLLI APPR: YXZHENG INITIAL REVISION: DRWN: GLLI APPR: YXZHENG			2020/10/30 2020/11/09 2020/11/09
DIVISIONAL SYMBOLS	GENERAL TOLERANCES (UNLESS SPECIFIED)		PRODUCT CUSTOMER DRAWING		DOCUMENT NUMBER: 1053091000-SD DOC TYPE: PSD DOC PART: 000 REVISION: C	
	ANGULAR TOL $\pm 3.0^\circ$		4 PLACES \pm 3 PLACES ± 0.1 2 PLACES ± 0.2 1 PLACE ± 0.3 0 PLACES \pm			
	DRAFT WHERE APPLICABLE MUST REMAIN WITHIN DIMENSIONS		THIRD ANGLE PROJECTION 	DRAWING: A3-SIZE SERIES: 105309		MATERIAL NUMBER: CUSTOMER: GENERAL MARKET
						SHEET NUMBER: 1 OF 5



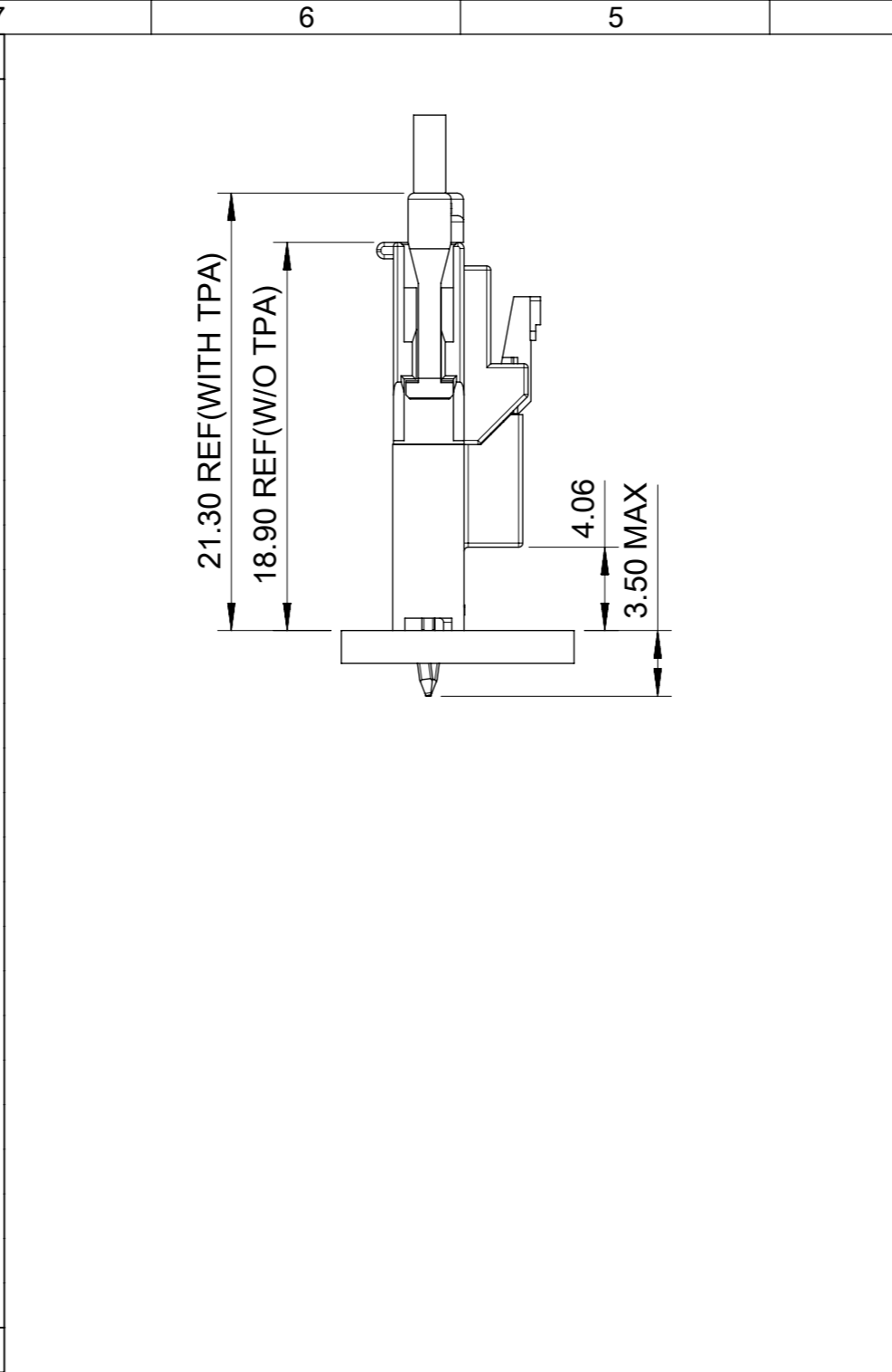
BLACK

NATURAL

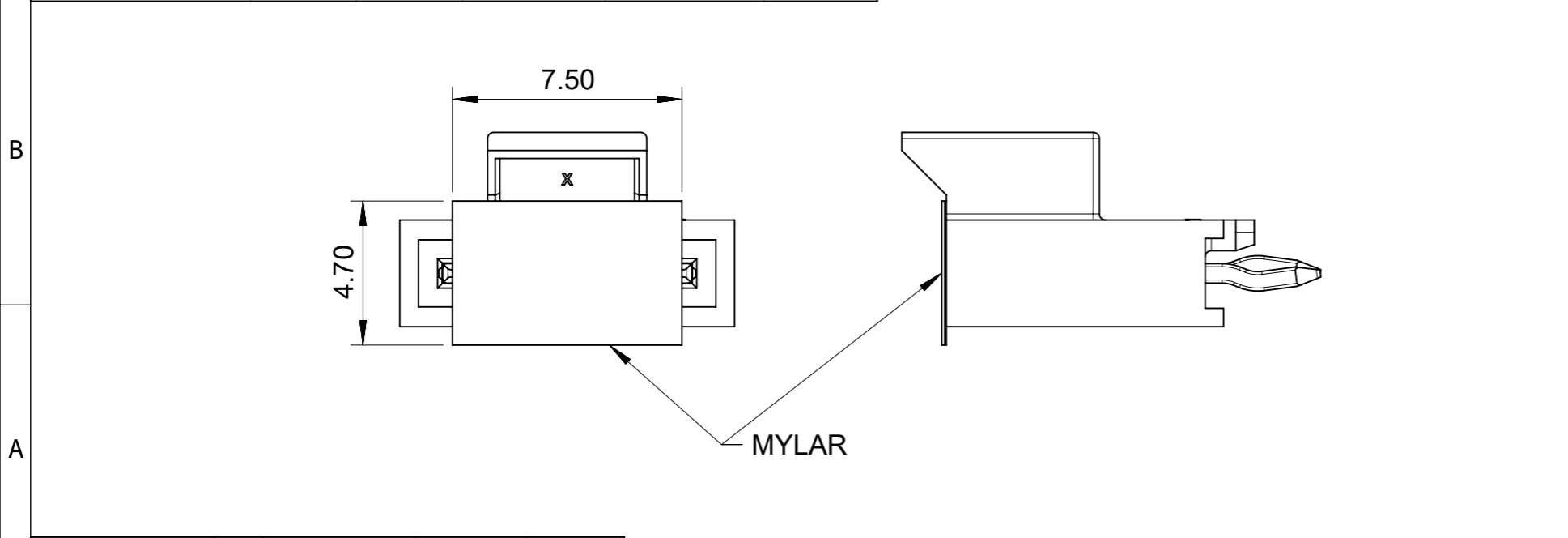
COLOR OPTION

FUNCTIONAL SYMBOLS	THIS DRAWING CONTAINS INFORMATION THAT IS PROPRIETARY TO MOLEX ELECTRONIC TECHNOLOGIES, LLC AND SHOULD NOT BE USED WITHOUT WRITTEN PERMISSION				
	$\nabla_A = 0$ $\nabla_B = 0$ $\nabla_C = 0$	DIMENSION UNITS mm			
GENERAL TOLERANCES (UNLESS SPECIFIED)			EC NO: 648137		
ANGULAR TOL $\pm 3.0^\circ$			DRWN: GLLI 2020/10/30		
4 PLACES \pm			CHK'D: YXZHENG 2020/11/09		
3 PLACES ± 0.1			APPR: YXZHENG 2020/11/09		
2 PLACES ± 0.2			INITIAL REVISION:		
1 PLACE ± 0.3			DRWN: GLLI 2019/09/23		
0 PLACES \pm			APPR: YXZHENG 2020/03/16		
DRAFT WHERE APPLICABLE MUST REMAIN WITHIN DIMENSIONS			THIRD ANGLE PROJECTION	DRAWING	SERIES
				A3-SIZE	105309
			DOCUMENT NUMBER	DOC TYPE	DOC PART
			1053091000-SD	PSD	000
			CUSTOMER	REVISION	
			GENERAL MARKET		C
			MATERIAL NUMBER	SHEET NUMBER	
				2 OF 5	

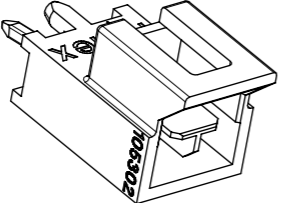
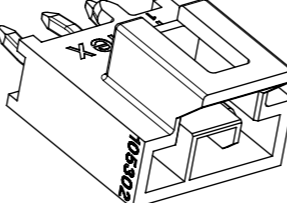
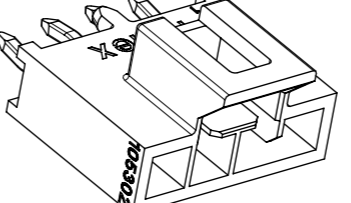
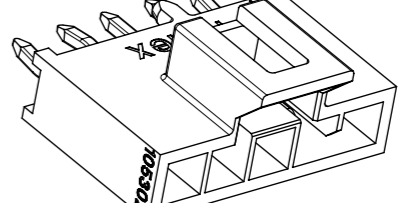
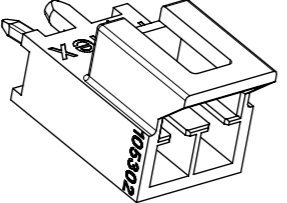
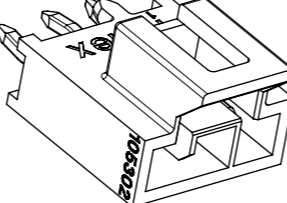
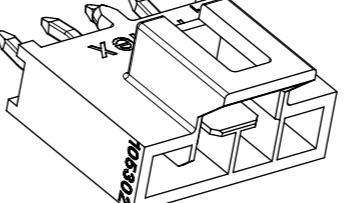
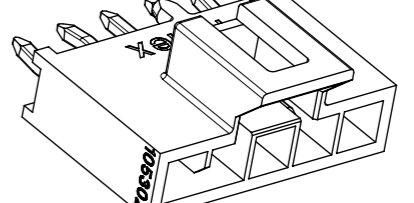
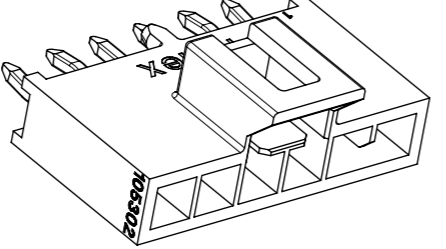
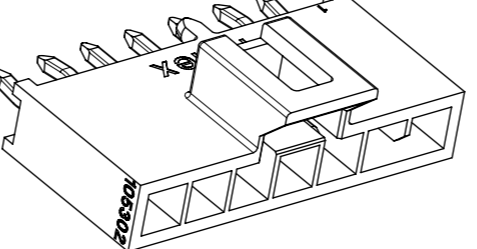
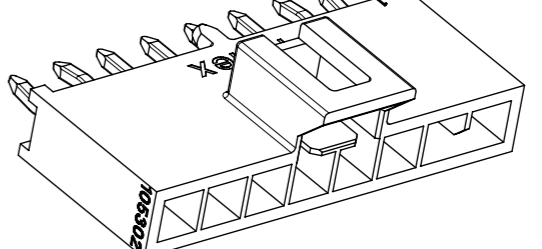
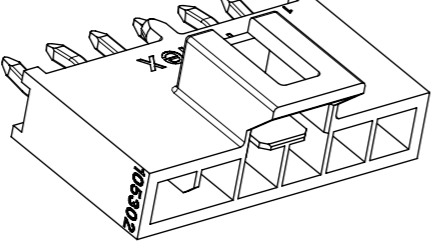
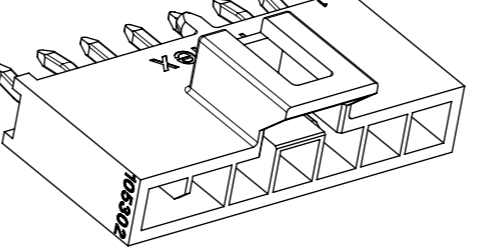
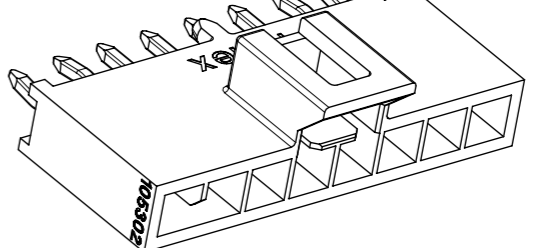
PART NUMBER	DIM 'A'	DIM 'B'	CKT SIZE	PLATING	MYLAR
105309-3502	5.94	2.50	2	TIN	
105309-3503	8.44	5.00	3		
105309-3504	10.94	7.50	4		
105309-3505	13.44	10.00	5		
105309-3506	15.94	12.50	6		
105309-3507	18.44	15.00	7		
105309-3508	20.94	17.50	8		
105309-3702	5.94	2.50	2		
105309-3703	8.44	5.00	3		
105309-3704	10.94	7.50	4		
105309-3705	13.44	10.00	5		
105309-3706	15.94	12.50	6		
105309-3707	18.44	15.00	7		
105309-3708	20.94	17.50	8		
105309-3602	5.94	2.50	2	GOLD 0.76	YES
105309-3603	8.44	5.00	3		
105309-3604	10.94	7.50	4		
105309-3605	13.44	10.00	5		
105309-3606	15.94	12.50	6		
105309-3607	18.44	15.00	7		
105309-3608	20.94	17.50	8		
105309-3802	5.94	2.50	2		
105309-3803	8.44	5.00	3		
105309-3804	10.94	7.50	4		
105309-3805	13.44	10.00	5		
105309-3806	15.94	12.50	6		
105309-3807	18.44	15.00	7		
105309-3808	20.94	17.50	8		
COLOR: BLACK					



PART NUMBER	DIM 'A'	DIM 'B'	CKT SIZE	PLATING	MYLAR
105309-4502	5.94	2.50	2	TIN	
105309-4503	8.44	5.00	3		
105309-4504	10.94	7.50	4		
105309-4505	13.44	10.00	5		
105309-4506	15.94	12.50	6		
105309-4507	18.44	15.00	7		
105309-4508	20.94	17.50	8		
105309-4702	5.94	2.50	2		
105309-4703	8.44	5.00	3		
105309-4704	10.94	7.50	4		
105309-4705	13.44	10.00	5		
105309-4706	15.94	12.50	6		
105309-4707	18.44	15.00	7		
105309-4708	20.94	17.50	8		
105309-4602	5.94	2.50	2	GOLD 0.76	YES
105309-4603	8.44	5.00	3		
105309-4604	10.94	7.50	4		
105309-4605	13.44	10.00	5		
105309-4606	15.94	12.50	6		
105309-4607	18.44	15.00	7		
105309-4608	20.94	17.50	8		
105309-4802	5.94	2.50	2		
105309-4803	8.44	5.00	3		
105309-4804	10.94	7.50	4		
105309-4805	13.44	10.00	5		
105309-4806	15.94	12.50	6		
105309-4807	18.44	15.00	7		
105309-4808	20.94	17.50	8		
COLOR: NATURAL					



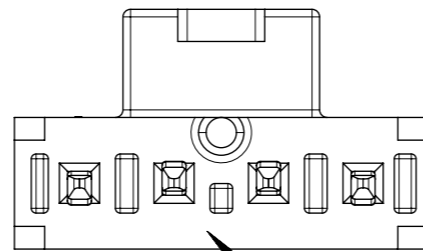
FUNCTIONAL SYMBOLS	THIS DRAWING CONTAINS INFORMATION THAT IS PROPRIETARY TO MOLEX ELECTRONIC TECHNOLOGIES, LLC AND SHOULD NOT BE USED WITHOUT WRITTEN PERMISSION		CURRENT REV DESC:		molex		
	$\nabla_A = 0$ $\nabla_F = 0$ $\nabla_V = 0$	DIMENSION UNITS: mm SCALE: 5:1					
DIVISIONAL SYMBOLS	4 PLACES	\pm	EC NO: 648137	2020/10/30	HEADER OF NANO-FIT, S/R, VERTICAL, KINK POWER CONNECTOR		
	3 PLACES	± 0.1	DRWN: GLLI	2020/11/09			
	2 PLACES	± 0.2	CHK'D: YXZHENG	2020/11/09	PRODUCT CUSTOMER DRAWING		
	1 PLACE	± 0.3	APPR: YXZHENG	2020/03/16			
0 PLACES	\pm	INITIAL REVISION:	2019/09/23	DOCUMENT NUMBER	DOC TYPE	DOC PART	REVISION
DRAFT WHERE APPLICABLE MUST REMAIN WITHIN DIMENSIONS		THIRD ANGLE PROJECTION	DRAWING	SERIES	MATERIAL NUMBER	CUSTOMER	SHEET NUMBER
			A3-SIZE	105309	1053091000-SD	GENERAL MARKET	3 OF 5

		2 CKT	3 CKT	4 CKT	5 CKT
F	BLACK				
E	NATURAL				
		6 CKT	7 CKT	8 CKT	
D	BLACK				
C	NATURAL				

FUNCTIONAL SYMBOLS	THIS DRAWING CONTAINS INFORMATION THAT IS PROPRIETARY TO MOLEX ELECTRONIC TECHNOLOGIES, LLC AND SHOULD NOT BE USED WITHOUT WRITTEN PERMISSION		CURRENT REV DESC:		molex		
	$\nabla_A = 0$ $\nabla_E = 0$ $\nabla_V = 0$	DIMENSION UNITS: mm SCALE: 1:1					
DIVISIONAL SYMBOLS	4 PLACES	\pm	EC NO: 648137	2020/10/30	PRODUCT CUSTOMER DRAWING		
	3 PLACES	± 0.1	DRWN: GLLI	2020/11/09			
	2 PLACES	± 0.2	CHK'D: YXZHENG	2020/11/09	DOCUMENT NUMBER: 1053091000-SD DOC TYPE: PSD DOC PART: 000 REVISION: C		
	1 PLACE	± 0.3	APPR: YXZHENG				
	0 PLACES	\pm	INITIAL REVISION:				
DRAFT WHERE APPLICABLE MUST REMAIN WITHIN DIMENSIONS		THIRD ANGLE PROJECTION	DRAWING: A3-SIZE	SERIES: 105309	MATERIAL NUMBER	CUSTOMER: GENERAL MARKET	SHEET NUMBER: 4 OF 5

NOTES FOR ALL PARTS

<p>1> MATERIAL: HOUSING: LCP 30% GF, UL 94V-0; TERMINAL: BRASS.</p> <p>2> PLATING FINISHED: TERMINAL: CONTACT AREA: a. REFLOW MATTE TIN 1.5MICRONS MIN; b. GOLD 0.38 MICRONS MIN; c. GOLD 0.76 MICRONS MIN. SOLDER AREA: MATTE TIN 1.5 MICRONS MIN, UNDER PLATING NICKEL 1.25 MICRONS MIN.</p>	<p>3> PRODUCT SPECIFICATION: PS-105300-100.</p> <p>4> PACKAGE: TAPE REEL, 1053091000-PK.</p> <p>5> PRODUCT MATE WITH SERIES OF 105307(RECEPTACLE), 105300(CRIMP TERMINAL).</p> <p>6> PARTS CONFORM TO CLASS 'B'REQUIREMENTS OF COSMETIC SPECIFICATION PS-45499-002.</p> <p>7> DISCOLORATION IN THE BANDOLIER PIN CARRIER AREA OF THE PIN IS INHERENT TO THE PLATING PROCESS AND IS DUE TO THE MASKING DEFECT OF THE CARRIER, THIS DISCOLORATION IS IN A NON-FUNCTION AREA OF THE PIN AND WILL NOT AFFECT THE PERFORMANCE OF THE HEADER ASSEMBLY.</p>
--	---



IF ANY NUMBER MARK APPEARS ON THIS SURFACE, PLEASE DISREGARD IT, IT IS NO ANY FUCTION AND NO ANY RELATION TO PIN NUMBER, IT IS JUST FOR MOLDING IDENDIFICATION.

FUNCTIONAL SYMBOLS	THIS DRAWING CONTAINS INFORMATION THAT IS PROPRIETARY TO MOLEX ELECTRONIC TECHNOLOGIES, LLC AND SHOULD NOT BE USED WITHOUT WRITTEN PERMISSION		CURRENT REV DESC:		molex					
	△/A = 0	mm						SCALE 5:1		
△/E = 0	GENERAL TOLERANCES (UNLESS SPECIFIED)		EC NO: 648137 DRWN: GLLI 2020/10/30 CHK'D: YXZHENG 2020/11/09 APPR: YXZHENG 2020/11/09		HEADER OF NANO-FIT, S/R, VERTICAL, KINK POWER CONNECTOR					
△/V = 0	ANGULAR TOL ± 3.0°				PRODUCT CUSTOMER DRAWING					
DIVISIONAL SYMBOLS	4 PLACES	±	INITIAL REVISION: DRWN: GLLI 2019/09/23 APPR: YXZHENG 2020/03/16		DOCUMENT NUMBER	DOC TYPE	DOC PART	REVISION		
	3 PLACES	± 0.1			1053091000-SD	PSD	000	C		
	2 PLACES	± 0.2			MATERIAL NUMBER		CUSTOMER		SHEET NUMBER	
	1 PLACE	± 0.3								
0 PLACES	±	DRAFT WHERE APPLICABLE MUST REMAIN WITHIN DIMENSIONS		THIRD ANGLE PROJECTION	DRAWING	SERIES	MATERIAL NUMBER	CUSTOMER	SHEET NUMBER	
					⊕	⊞	A3-SIZE	105309	GENERAL MARKET	5 OF 5