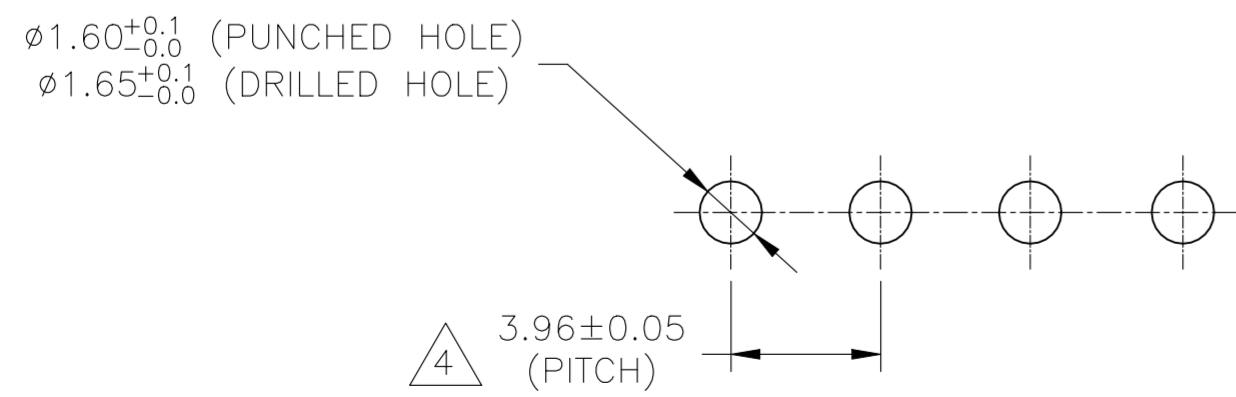
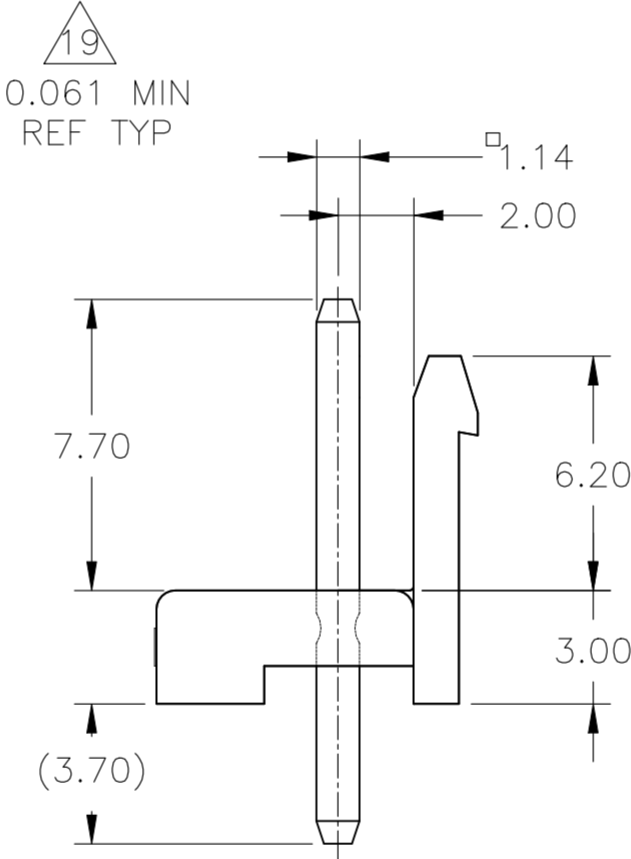
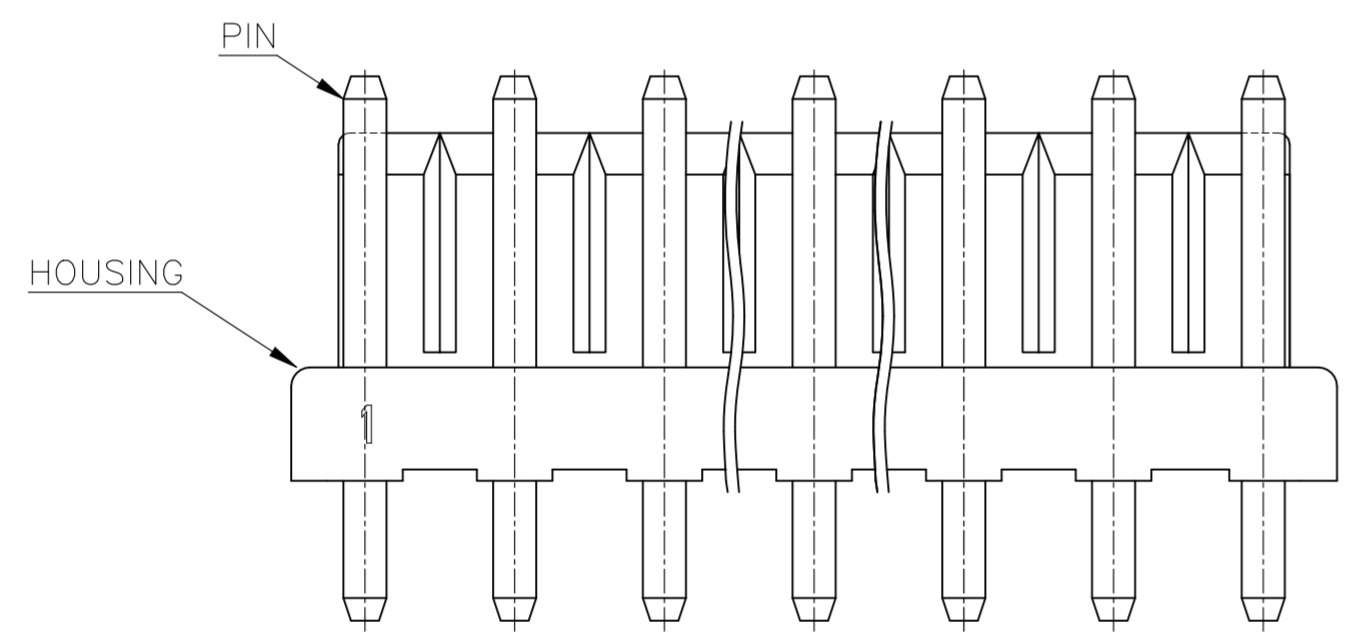
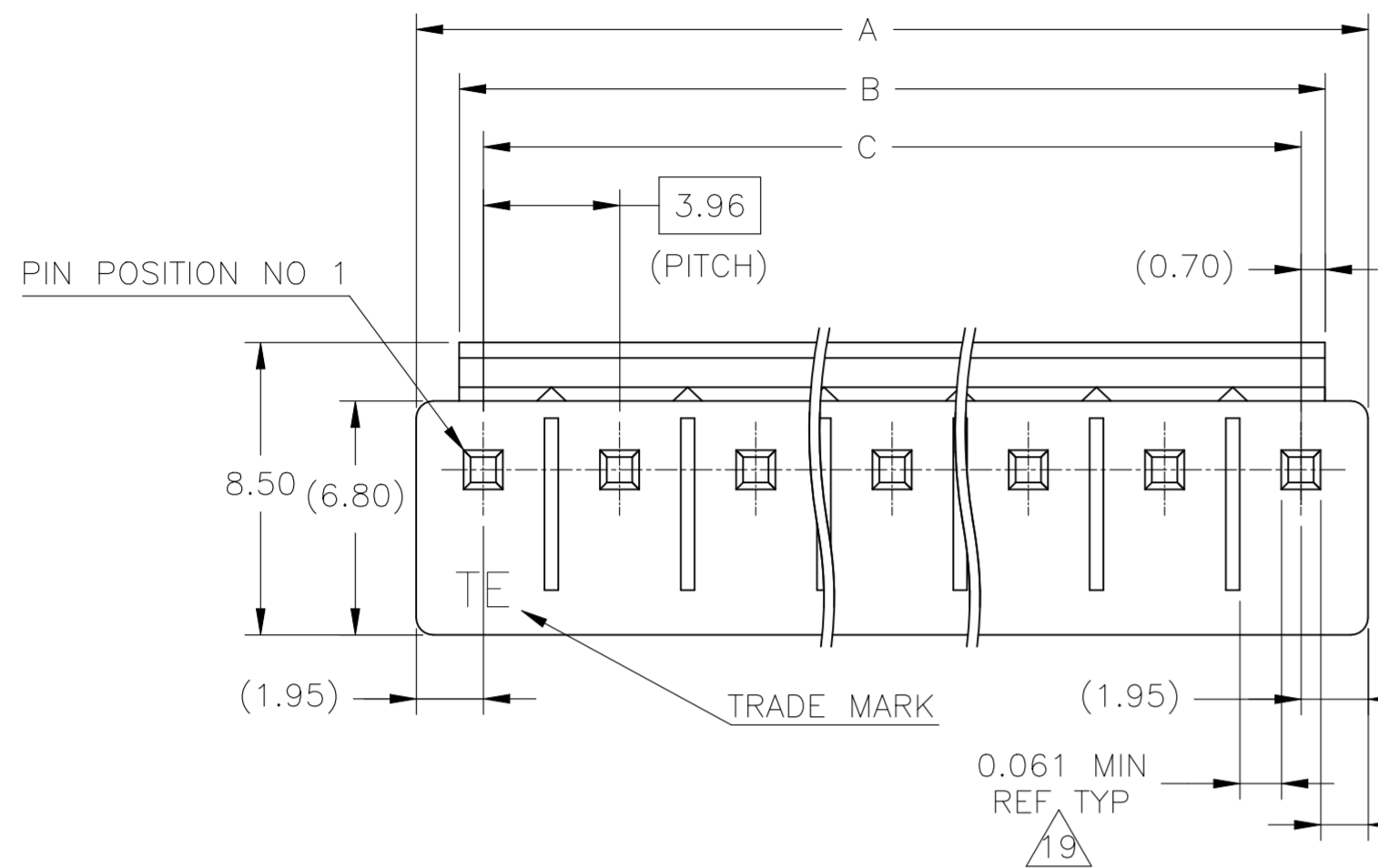


THIS DRAWING IS UNPUBLISHED. RELEASED FOR PUBLICATION
 © COPYRIGHT - By - ALL RIGHTS RESERVED.

REVISIONS					
P	LTR	DESCRIPTION	DATE	DWN	APVD
AA5		REVISED PER ECR-22-129998	12APR2022	WH	LC



2 FIG.1

- 1 MATING CONN P/N: □-1123722-□
- 2 APPLICABLE P.C.B LAYOUT: SEE FIG. 1
- 3 APPLICABLE P.C.B THICKNESS: 1.60
- 4 SKETCHES SHOW NO PINS MISSING.
- 6 PIN: POST TIN OVER BRASS
- 7 HOUSING: PBT, 30% GLASS, UL94-V0(ONLY NATURAL COLOR).
- 8 ○ : WITH PIN,
X : WITHOUT PIN.
- 10 SUPERSEDED BY 1744489-2.
- 11 SUPERSEDED BY 1744489-4.
- 12 SUPERSEDED BY 1744489-5.
- 13 SUPERSEDED BY 1744489-6.
- 14 SUPERSEDED BY 1744489-7.
- 15 SUPERSEDED BY 1744489-8.
- 16 SUPERSEDED BY 1744489-9.
- 17 SUPERSEDED BY 1-1744489-0.
- 18 SUPERSEDED BY 1-1744489-1.
- 19 VALUES FOR UL 61800-5-1, ONLY NATURAL COLOR.

Flam	RTIe deg C	HWI	HAI	CTI
V0	130	PLC 2	PLC 4	PLC 2_UL746

20 PRELIMINARY: NOT FOR PRODUCTION

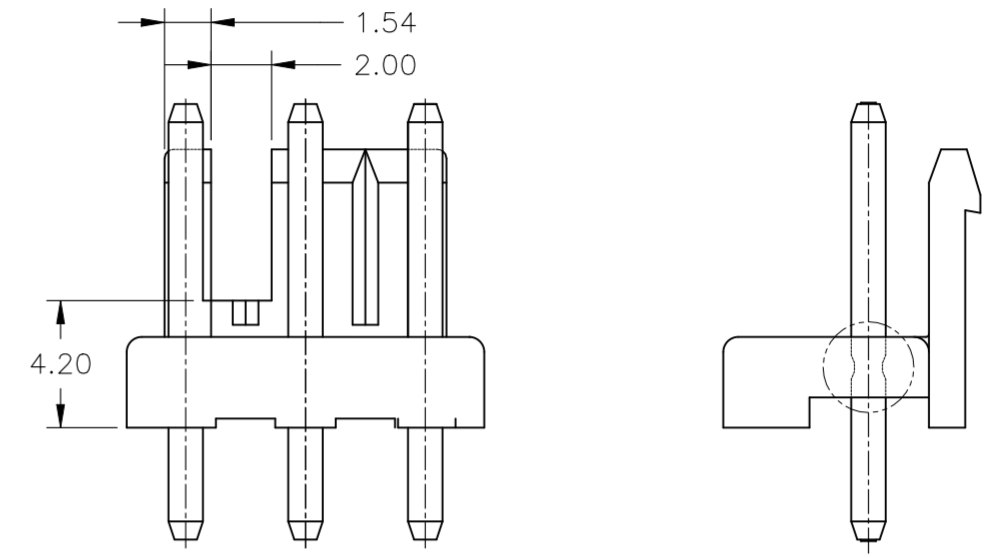
THIS DRAWING IS A CONTROLLED DOCUMENT.		DWN N.YAMASAKI 13MAR'01	TE Connectivity	
DIMENSIONS: mm		CHK M.SHINDO 13MAR'01		
TOLERANCES UNLESS OTHERWISE SPECIFIED:		APVD Y.KASHIWA 13MAR'01	NAME 3.96MM PITCH ECONOMY POWER(EP) CONN HEADER ASSY	
0 PLC ±		PRODUCT SPEC 108-5609	SIZE A2	
1 PLC ± 0.50		APPLICATION SPEC 114-32134	CAGE CODE 00779	DRAWING NO C=1123723
2 PLC ± 0.30		WEIGHT -	RESTRICTED TO -	
3 PLC ±		FINISH SEE TABLE	SCALE N/A	SHEET 1 OF 2
4 PLC ±		MATERIAL SEE TABLE	CUSTOMER DRAWING	REV AA5
ANGLES ± 3°				

1123723

THIS DRAWING IS UNPUBLISHED. RELEASED FOR PUBLICATION
 © COPYRIGHT - By - ALL RIGHTS RESERVED.

REVISIONS					
P	LTR	DESCRIPTION	DATE	DWN	APVD
-	-	SEE SHEET 1	-	-	-

PIN POSITION	"C"	"B"REF	"A"REF	COLOR	POS	ASS'Y P/N											
1				NATURAL		7-1123723-8											
2				GREEN		6-1123723-8											
3				BLACK		5-1123723-8											
4				RED	8	4-1123723-8											
5				BLUE		3-1123723-8											
6				YELLOW		2-1123723-8											
7				NATURAL		1-1123723-8											
8	27.72	29.12	31.62	NATURAL		7-1123723-7											
9				GREEN		6-1123723-7											
10				BLACK		5-1123723-7											
11				RED	7	4-1123723-7											
12				BLUE		3-1123723-7											
13				YELLOW		2-1123723-7											
14				NATURAL		1-1123723-7											
15				NATURAL		7-1123723-6											
16				GREEN		6-1123723-6											
17				BLACK		5-1123723-6											
18				RED	6	4-1123723-6											
19				BLUE		3-1123723-6											
20				YELLOW		2-1123723-6											
21				NATURAL		1-1123723-6											
22				NATURAL		7-1123723-5											
23				GREEN		6-1123723-5											
24				BLACK		5-1123723-5											
25				RED	5	4-1123723-5											
26				BLUE		3-1123723-5											
27				YELLOW		2-1123723-5											
28				NATURAL		1-1123723-5											
29				NATURAL		7-1123723-4											
30				GREEN		6-1123723-4											
31				BLACK		5-1123723-4											
32				RED	4	4-1123723-4											
33				BLUE		3-1123723-4											
34				YELLOW		2-1123723-4											
35				NATURAL		1-1123723-4											
36				NATURAL		8-1123723-3											
37				NATURAL		7-1123723-3											
38				GREEN		6-1123723-3											
39				BLACK		5-1123723-3											
40				RED	3	4-1123723-3											
41				BLUE		3-1123723-3											
42				YELLOW		2-1123723-3											
43				NATURAL		1-1123723-3											
44				NATURAL		7-1123723-2											
45				GREEN		6-1123723-2											
46				BLACK		5-1123723-2											
47				RED	2	4-1123723-2											
48				BLUE		3-1123723-2											
49				YELLOW		2-1123723-2											
50				NATURAL		1-1123723-2											
1	2	3	4	5	6	7	8	9	10	11	"C"	"B"REF	"A"REF	COLOR	POS	ASS'Y P/N	
PIN POSITION											DIMENSION						



8-1123723-3 SHOW Δ_{20}

PIN POSITION	"C"	"B"REF	"A"REF	COLOR	POS	ASS'Y P/N											
1				NATURAL		8-1123723-1											
2				GREEN		6-1123723-1											
3				BLACK		5-1123723-1											
4				RED	11	4-1123723-1											
5				BLUE		3-1123723-1											
6				YELLOW		2-1123723-1											
7				NATURAL		1-1123723-1											
8				NATURAL		7-1123723-0											
9				GREEN		6-1123723-0											
10				BLACK		5-1123723-0											
11				RED	10	4-1123723-0											
12				BLUE		3-1123723-0											
13				YELLOW		2-1123723-0											
14				NATURAL		1-1123723-0											
15				NATURAL		7-1123723-9											
16				GREEN		6-1123723-9											
17				BLACK		5-1123723-9											
18				RED	9	4-1123723-9											
19				BLUE		3-1123723-9											
20				YELLOW		2-1123723-9											
21				NATURAL		1-1123723-9											
1	2	3	4	5	6	7	8	9	10	11	"C"	"B"REF	"A"REF	COLOR	POS	ASS'Y P/N	
PIN POSITION											DIMENSION						

THIS DRAWING IS A CONTROLLED DOCUMENT.

DWN	N.YAMASAKI	13MAR'01
CHK	M.SHINDO	13MAR'01
APVD	Y.KASHIWA	13MAR'01
PRODUCT SPEC	108-5609	
APPLICATION SPEC	114-32134	
WEIGHT	-	
CUSTOMER DRAWING		

STE TE Connectivity

3.96MM PITCH ECONOMY POWER(EP) CONN HEADER ASSY

SIZE	A2	CAGE CODE	00779	DRAWING NO	C=1123723	RESTRICTED TO	-
SCALE	N/A	SHEET	2 OF 2	REV	AA5		