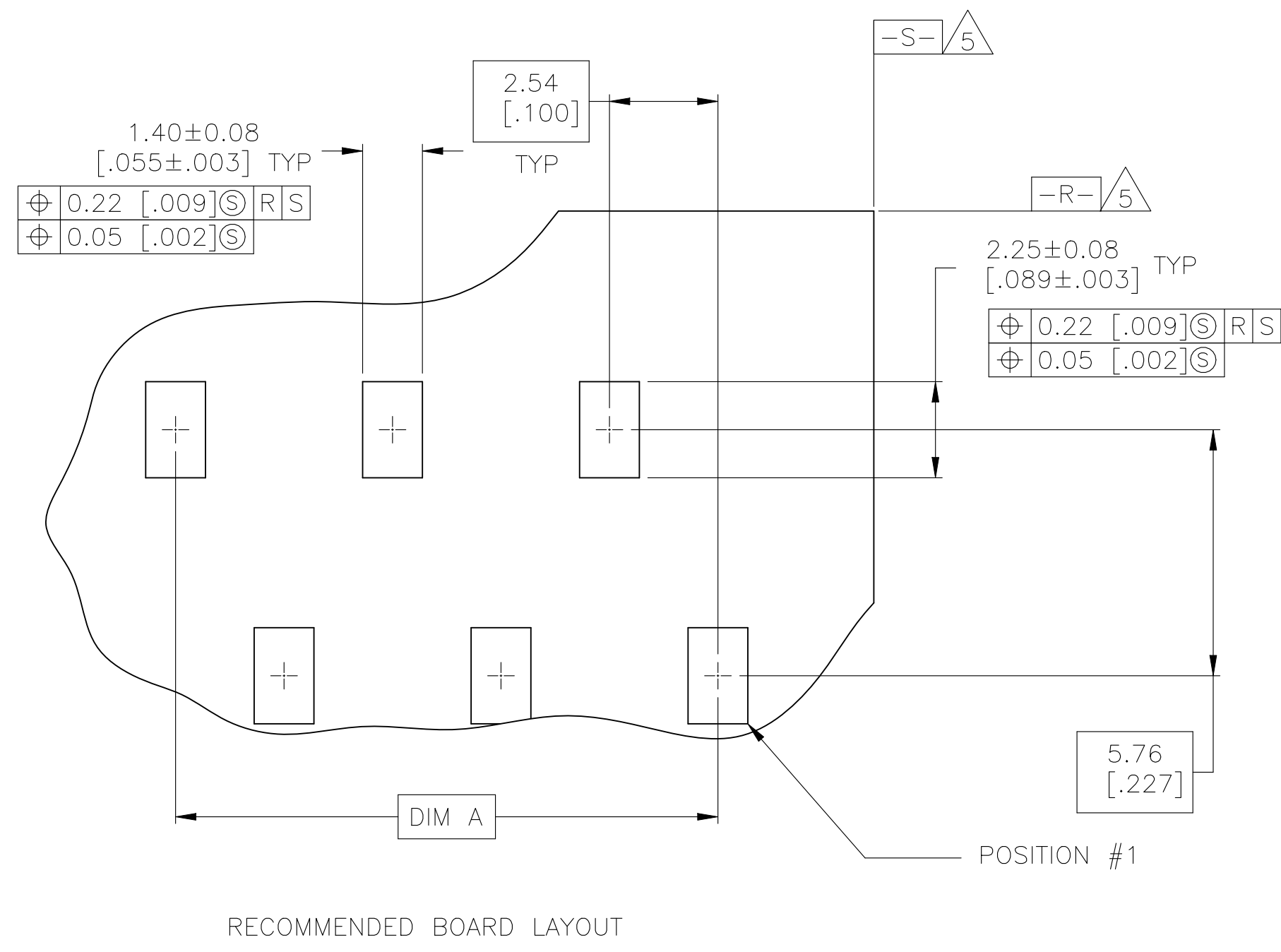
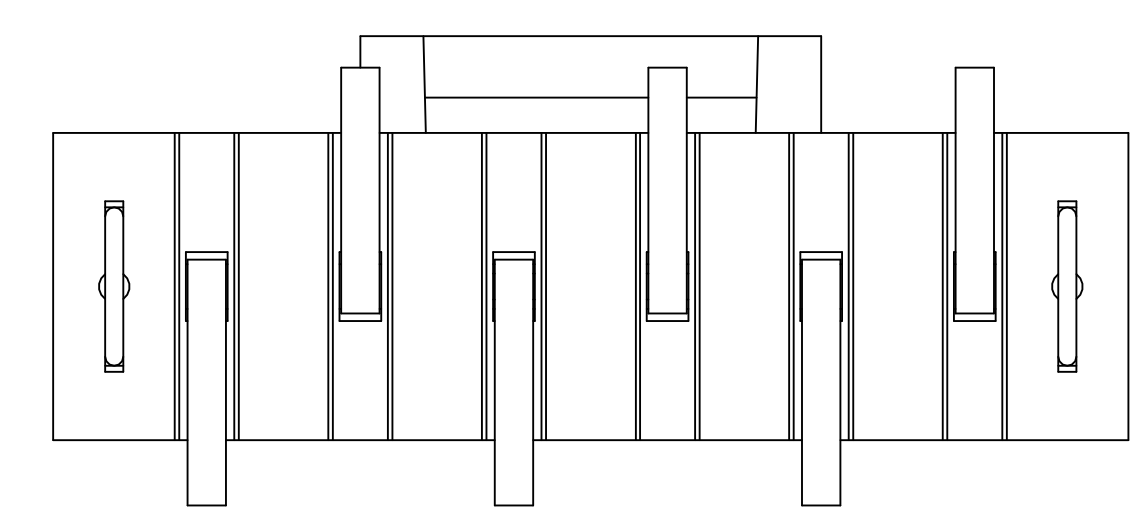
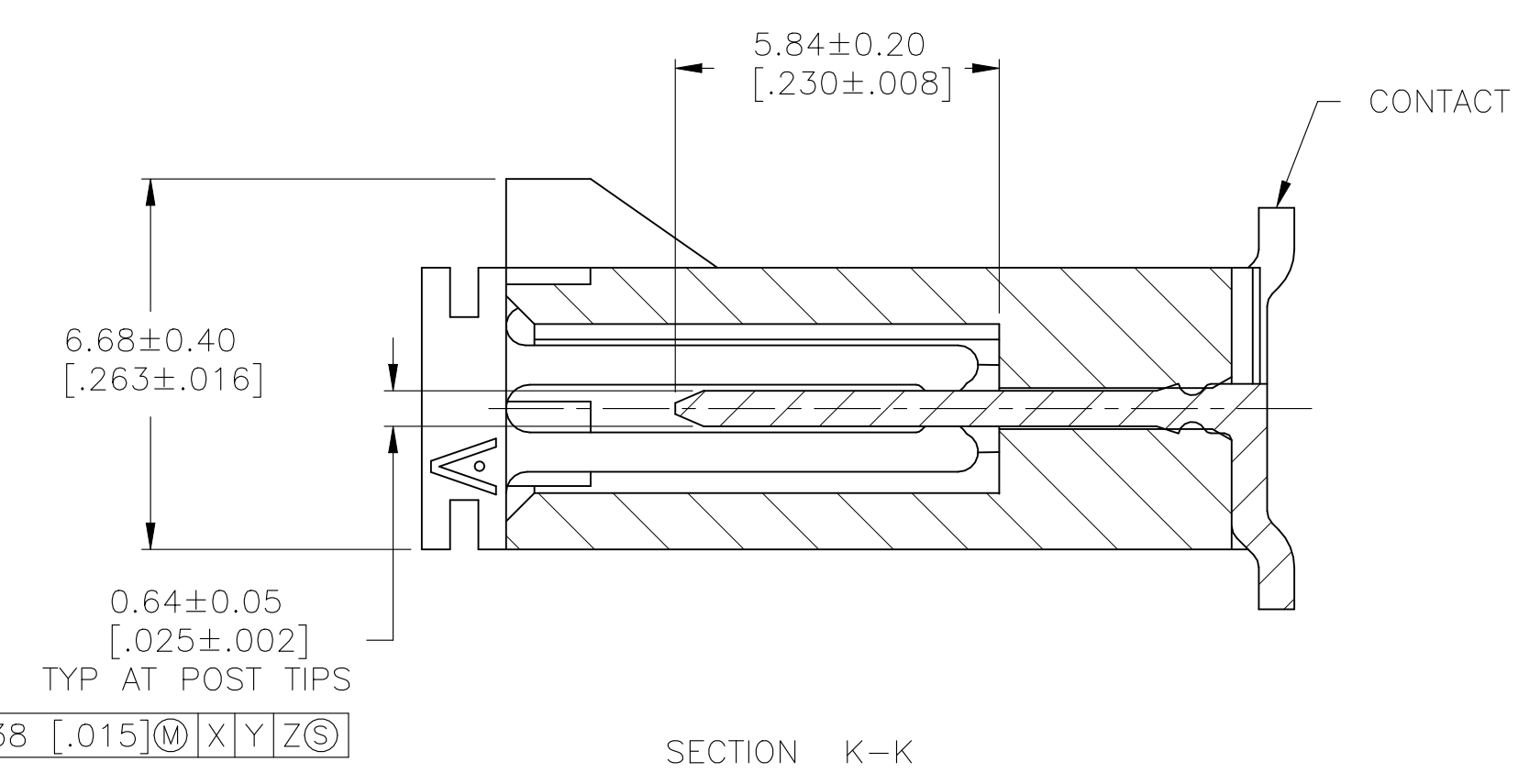
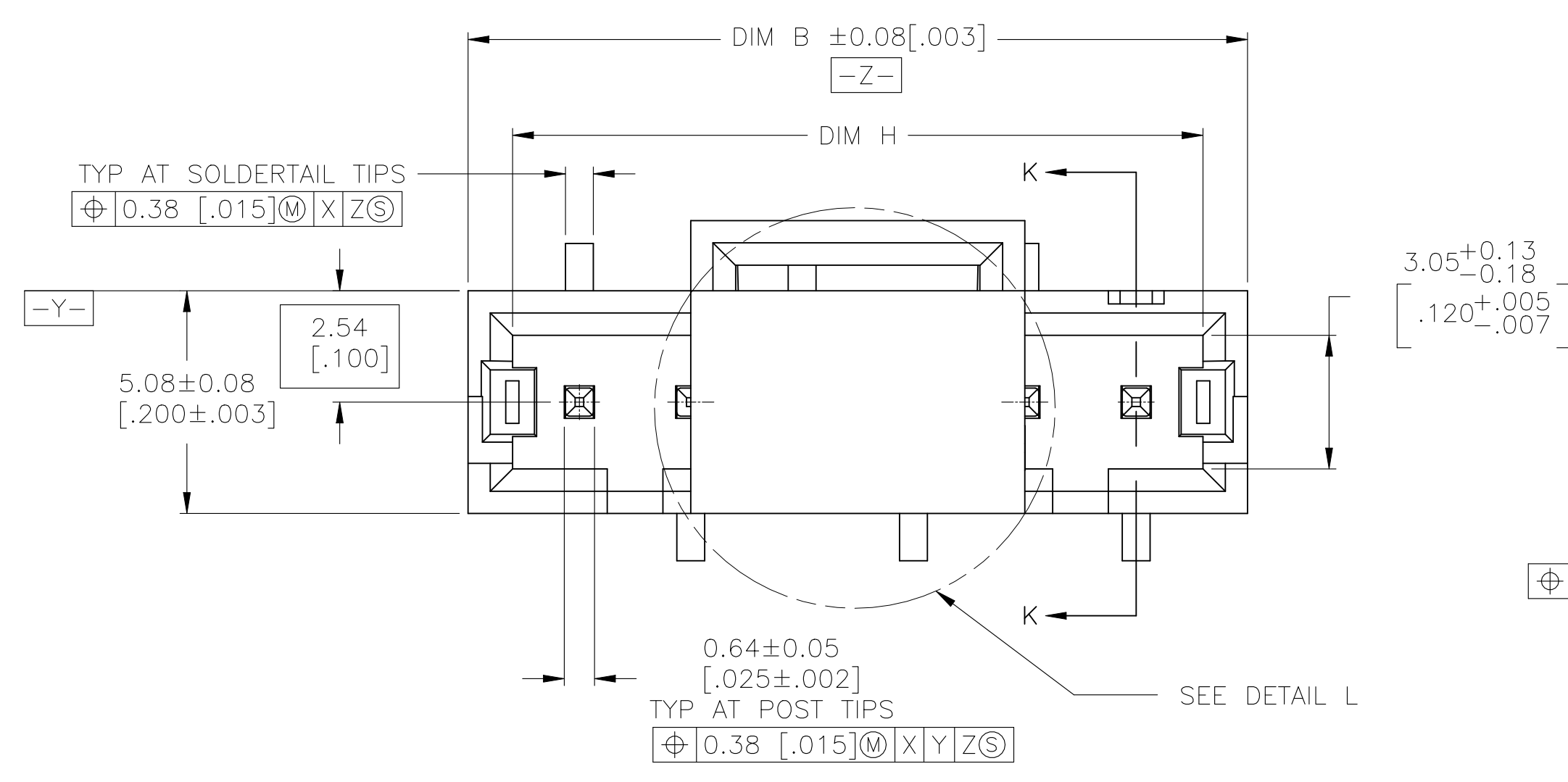
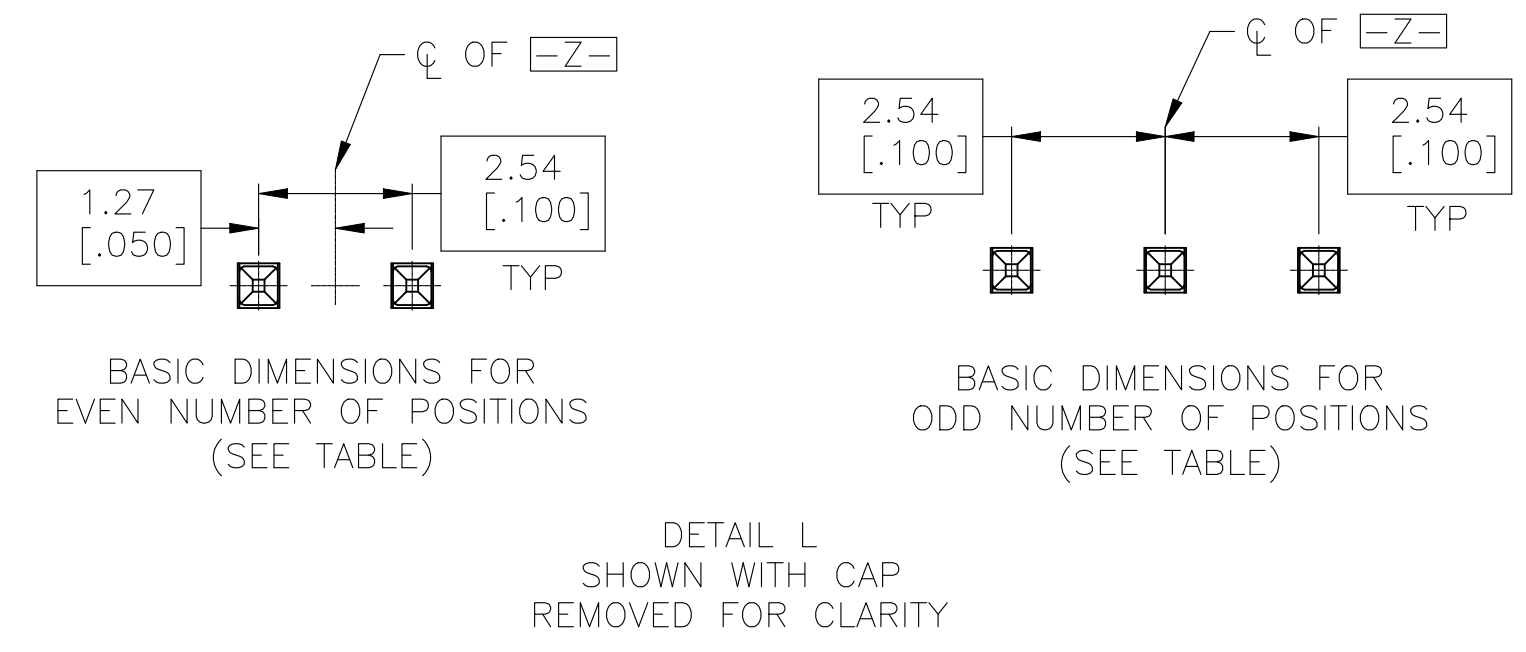
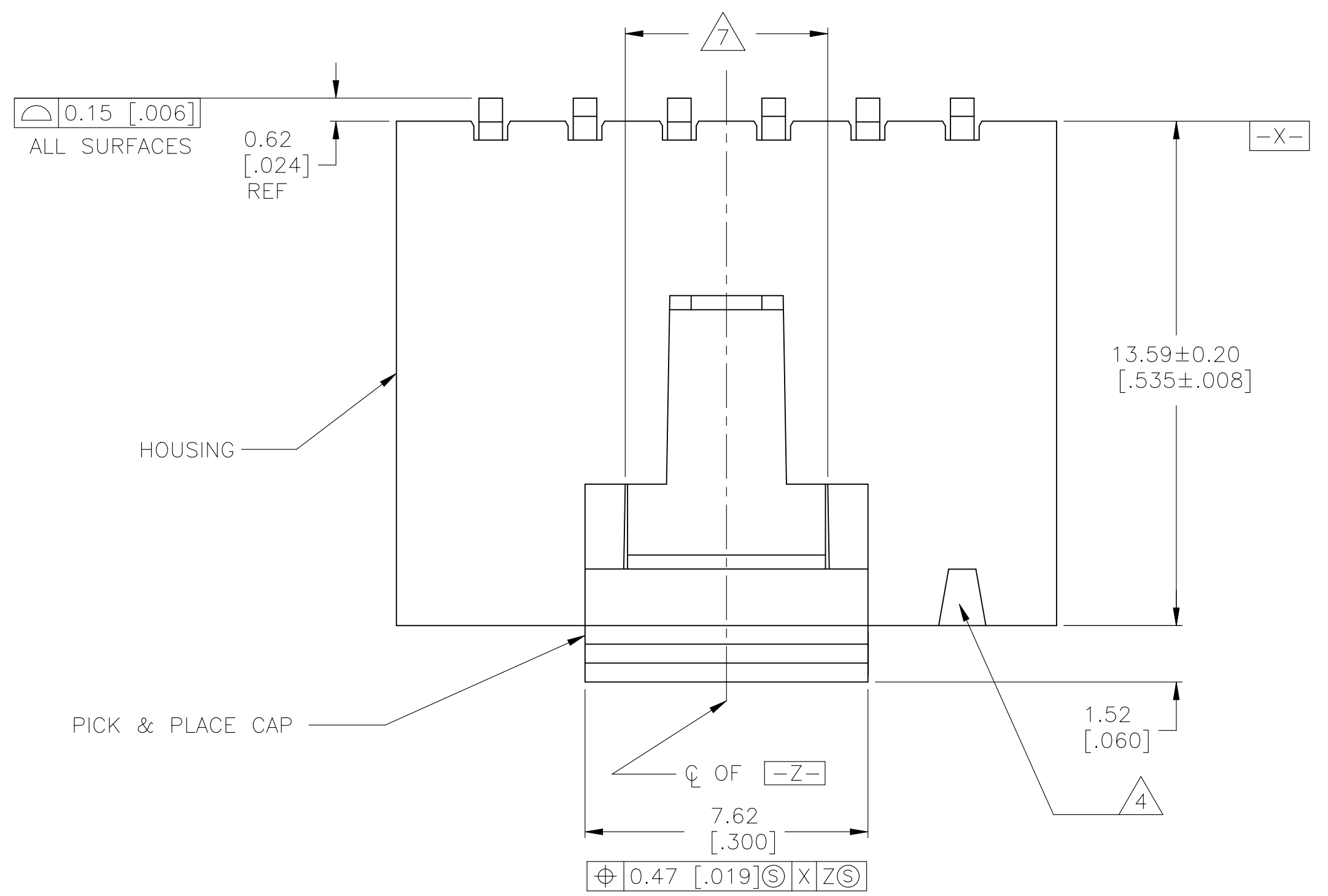


REVISIONS					
REV	DATE	DESCRIPTION	BY	CHK	APPV
J	02JAN2023	REVISED PER ECR-22-162119	RK	MF	



- 1 PACKAGE: TAPE AND REEL PER EIA-481 SPECIFICATIONS. SEE TABLE FOR TAPE WIDTHS
- 2 MATERIAL: HOUSING AND PICK & PLACE CAP: HIGH TEMPERATURE LCP, COLOR - BLACK, CONTACTS: BRASS
- 3 FINISH: CONTACTS: 0.00254[0.0001] MATTE TIN OVER 0.00127[0.00005] NICKEL
- 4 CIRCUIT POSITION #1 IDENTIFICATION MARK
- 5 DATUMS ARE ESTABLISHED BY CUSTOMER
- 6 PRELIMINARY PART - NOT RELEASED FOR PRODUCTION
- 7 0.25 [0.010] RECESS PERMISSIBLE IN THIS AREA FOR MOLD SHUT OFF

TAPE WIDTH	H	B	A	NO OF POSN	PART NUMBER
44 [1.732]	28.45 [1.120]	30.35 [1.195]	25.40 [1.000]	9	1825514-5
32 [1.260]	15.75 [0.620]	17.65 [0.695]	12.70 [0.500]	6	1825514-4
56 [2.205]	30.99 [1.220]	32.89 [1.295]	27.94 [1.100]	12	1825514-3
56 [2.205]	36.07 [1.420]	37.97 [1.495]	33.02 [1.300]	14	1825514-2
56 [2.205]	28.45 [1.120]	30.35 [1.195]	25.40 [1.000]	11	1825514-1

THIS DRAWING IS A CONTROLLED DOCUMENT.

DIMENSIONS: mm [INCHES]	TOLERANCES UNLESS OTHERWISE SPECIFIED:	DIN R BROWN 03MAR2006	APVD J GESFORD 03MAR2006	NAME	RESTRICTED TO
0. PLC ± -	1. PLC ± -	2. PLC ± 0.13 [0.005]	3. PLC ± -	4. PLC ANGLES ± -	
MATERIAL	FINISH	WEIGHT	SIZE	CAGE CODE	DRAWING NO
			A1	00779	1825514
CUSTOMER DRAWING			SCALE	SHEET	REV
			8:1	1 of 1	J

STE TE Connectivity

AMPMODU MTE SURFACE MOUNT, VERTICAL HEADER ASSEMBLY