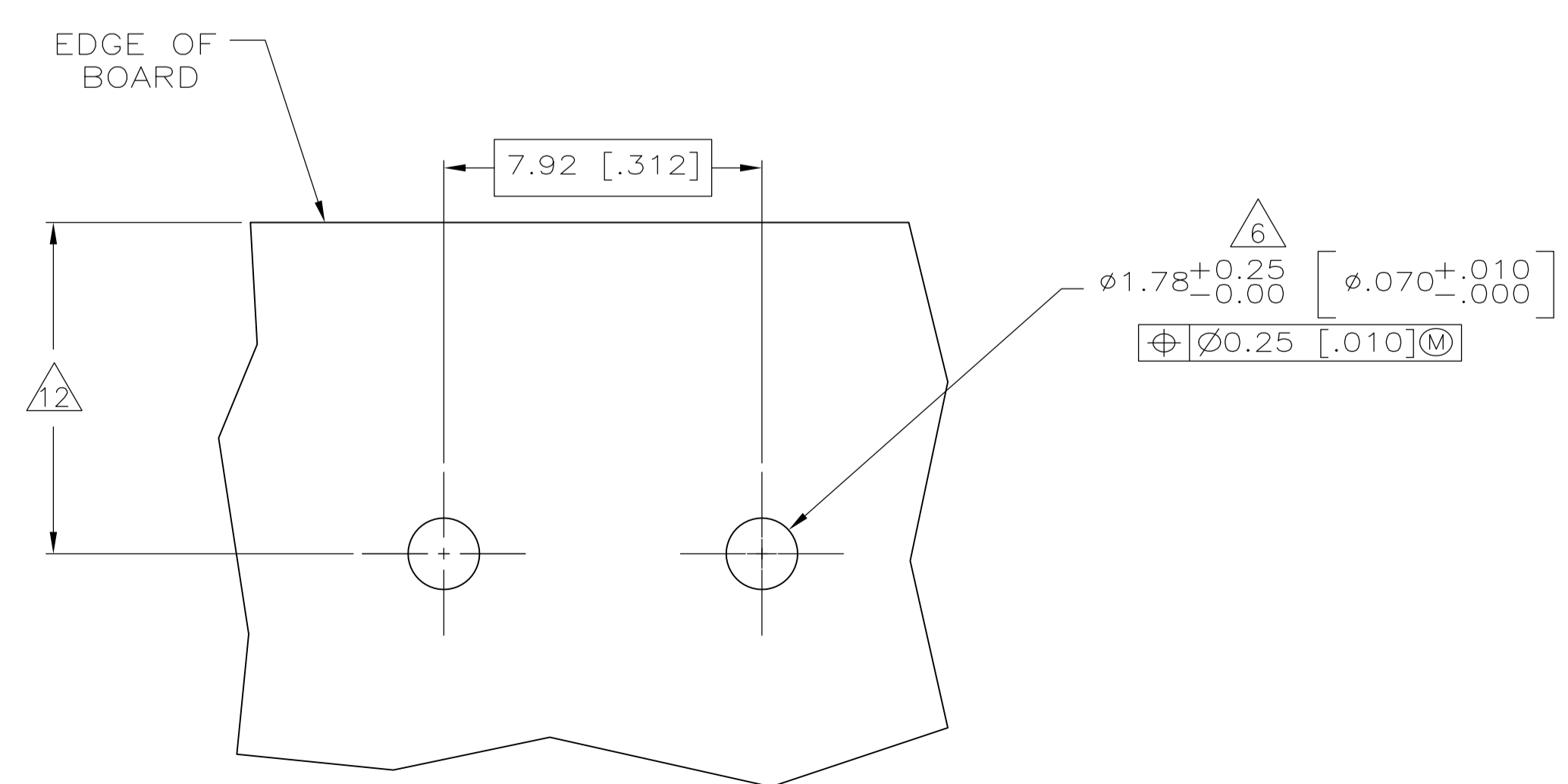
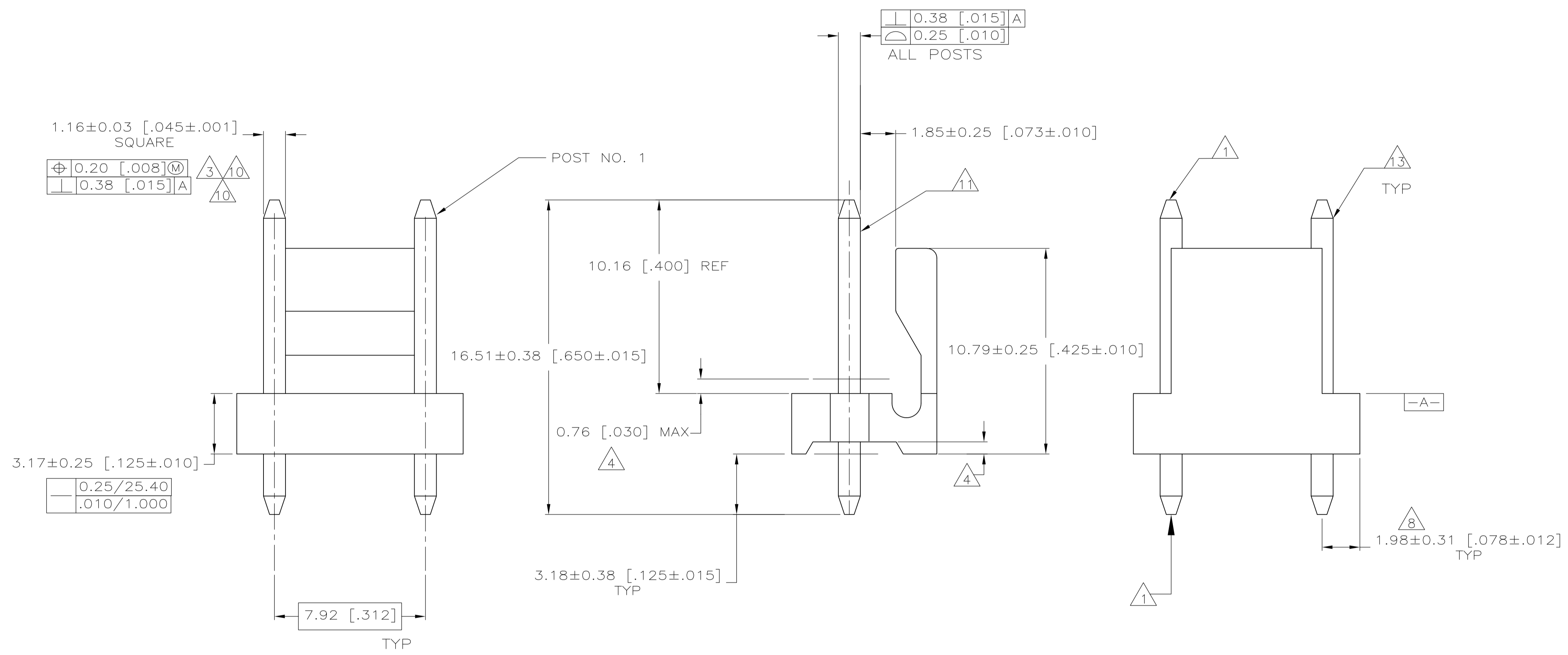
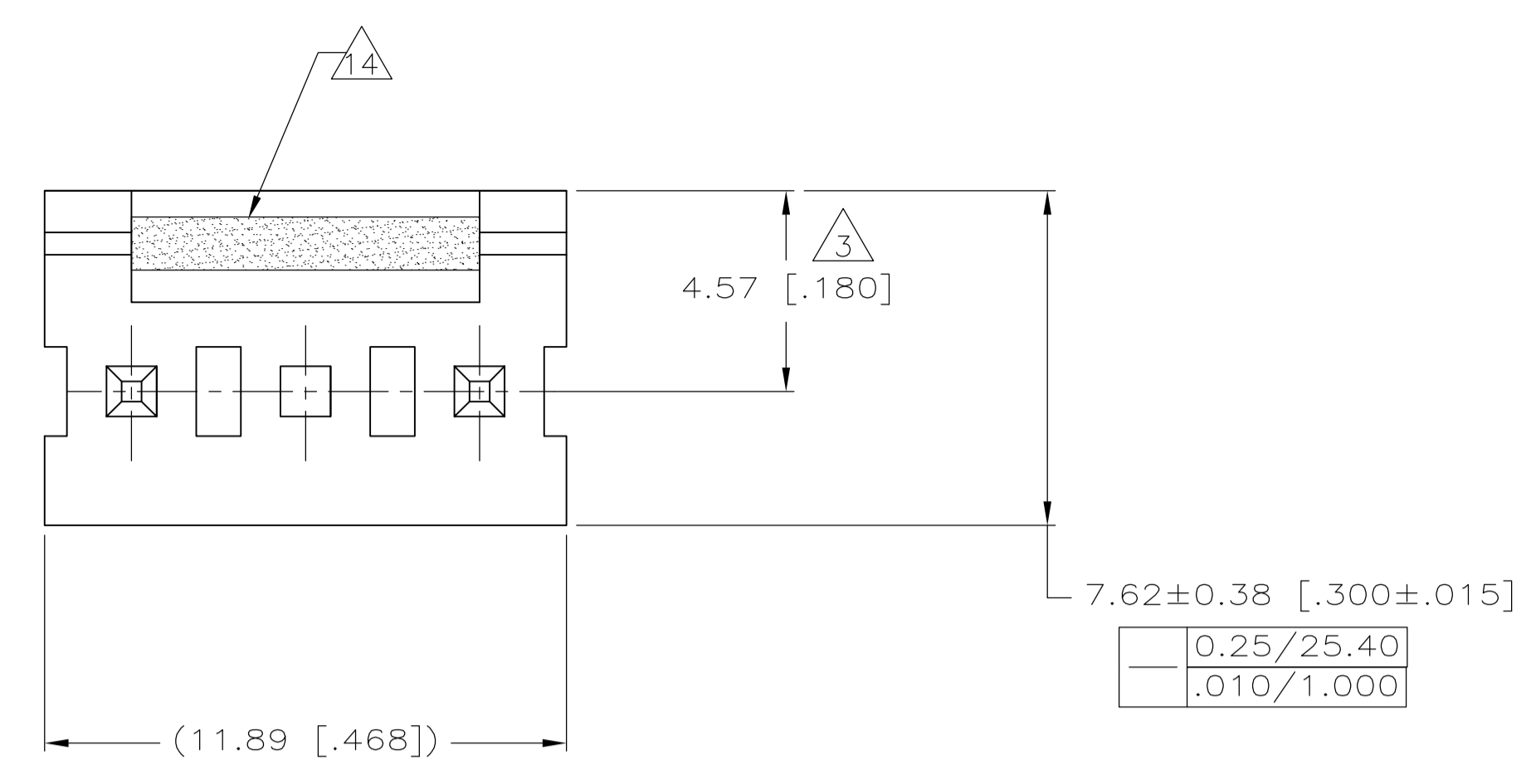


LOC		DIST		REVISIONS			
CM	00	REV	DATE	BY	CHK	APPV	
D	REVISED PER ECO-12-016930		05OCT12	KH	SM		



- 1 POST TO WITHSTAND 13 NEWTONS (3 LBS.) MIN. AXIAL FORCE IN BOTH DIRECTIONS SHOWN WITHOUT DISLODGING.
- 2 TOLERANCES APPLY TO SOLDER SIDE OF BOARD.
- 3 MEASURED AT SURFACE -A-
- 4 PLASTIC FLASH PERMITTED IN THIS AREA.
- 5 PARTS COMPLY WITH AMP SOLDERABILITY SPEC. NO. 109-11-2.
- 6 ONE HOLE MAY BE UNDERSIZED (1.65 [.065]/1.52 [.060] DIA.) FOR ASSEMBLY RETENTION DURING WAVE SOLDERING.
- 7 MATERIAL: HEADER-THERMOPLASTIC POLYESTER
GLASS-FILLED 94V-0 (NATURAL)
POST-COPPER ALLOY (TIN PLATED)
- 8 COORDINATE DIMENSION APPLIES FROM CENTER OF ACTUAL FEATURE.
- 9 PLASTIC BURRS CAUSED BY CUT-OFF TOOLING ARE PERMITTED WITHIN THE MAXIMUM TOLERANCE ENVELOPE.
- 10 POST TO BE MEASURED WHEN STRIP IS HELD FLAT.
- 11 POST MUST WITHSTAND TWO 90° BENDS AGAINST EXTRUSION WITHOUT BREAKING.
- 12 DIMENSION SHOULD BE 4.45 [.175] MIN WHEN MATING WITH AN MTA 156 CONNECTOR ASSEMBLY OR AN SL-156 CONNECTOR ASSEMBLY.
- 13 PIN BURR OF 0.13 [.005] MAX. VERTICAL AND 0.08 [.003] MAXIMUM HORIZONTAL PERMITTED AT POST TIPS ON BOTH ENDS.
- 14 ORANGE STRIPE.

2	3	1744317-3
POST NO OMITTED	NUMBER OF POSITIONS	PART NUMBER

THIS DRAWING IS A CONTROLLED DOCUMENT.		DIN S. HOOVER 18-DEC-2003		TE Connectivity	
DIMENSIONS: mm [INCHES]		TOLERANCES UNLESS OTHERWISE SPECIFIED:		NAME	
0 PLC ±		1 PLC ±		MTA-156 HEADER ASSEMBLY, FRICTION LOCK, STRAIGHT	
1 PLC ±		2 PLC ±		1.14 [.045] SQUARE POST, TIN PLATED	
2 PLC ±		3 PLC ±		APPLICATION SPEC	
3 PLC ±		4 PLC ±		SIZE CAGE CODE DRAWING NO	
4 PLC ±		ANGLES ±		A1 00779 C=1744317	
MATERIAL		FINISH		WEIGHT	
CUSTOMER DRAWING		SCALE 7:1		SHEET 1 OF 1 REV D	