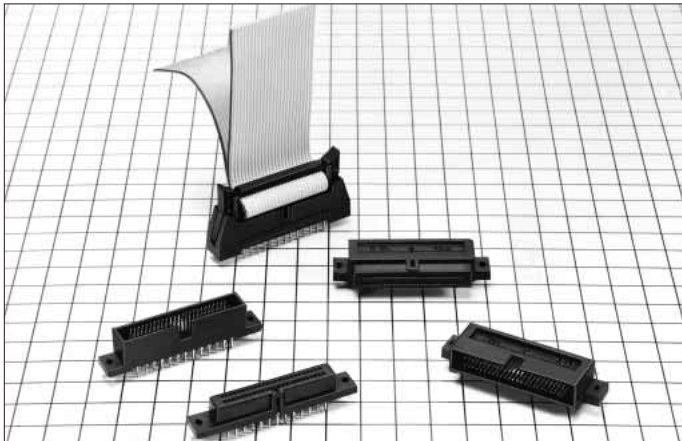


1.27mm Pitch Two-Piece Connectors

HIF6 Series



■ Features

1. Product Variation

The connection method is available with the board to board type and insulation displacement type.

2. Broad applications

HIF2E, HIF3B and HIF5 can be combined one other, because the 1.27mm pitch flat cable is used. (Fig.1)

3. Applicable Cables

The applicable cable is a (UL2651) 28 AWG flat cable (7cores: 0.127mm, outer jacket diameter: 0.8 to 1.0mm)

4. Mis-insertion Preventive Structure

The mis-insertion preventive guide prevents mis-insertion.

■ Product Specifications

Rating	Current rating : 0.5A	Operating Temperature Range : -55 to +85 °C (Note 1)	Storage Temperature Range : -10 to +60°C (Note 2)
	Voltage rating : 125V AC	Operating Humidity Range : 40 to 80%	Operating Humidity Range : 40 to 70% (Note 2)

Item	Specification	Condition
1.Insulation Resistance	1000MΩ min.	250V DC
2.Withstanding Voltage	No flashover or insulation breakdown.	300V AC/1 minute.
3.Contact Resistance	30mΩ max.	0.1A
4.Vibration	No electrical discontinuity of 1μs or more	Frequency : 10 to 55 Hz, single amplitude of 0.75 mm, 2 hours in each of the 3 directions.
5.Humidity (Steady state)	Insulation resistance : 1000MΩ min.	96 hours at temperature of 40°C and humidity of 90% to 95%
6.Temperature Cycle	No damage, cracks, or parts looseness.	(-65°C : 30 minutes → 15 to 35°C : 5 minutes max. → 125°C : 30 minutes → 15 to 35°C : 5 minutes max.) 5 cycles
7.Durability (Mating/un-mating)	Contact resistance : 30mΩ max.	500 cycles
8.Resistance to Soldering heat	No deformation of components affecting performance.	Solder bath : 260°C for 10 seconds
		Manual soldering : 360°C for 5 seconds

Note 1 : Includes temperature rise caused by current flow.

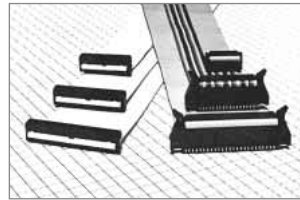
Note 2 : The term "storage" refers to products stored for long period of time prior to mounting and use. Operating Temperature Range and Humidity range covers non conducting condition of installed connectors in storage, shipment or during transportation.

Note 3 : Please note that there is a risk of deforming the lock when an excessive load is applied to the inside.

Connector in combination with the HIF6 series connection type

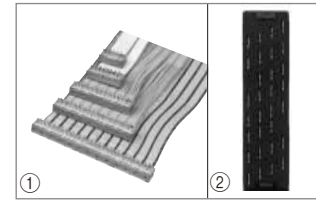
●HIF3B Series

(MIL-C-83503)



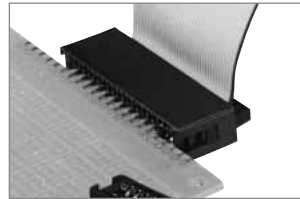
●HIF2 Series

(Board direct mount type)



●HIF5 Series

(Card edge type)



●FD Series

(D sub-ribbon connector)

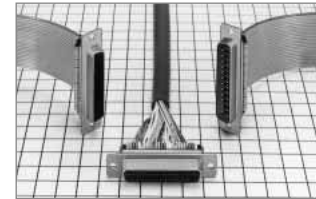


Fig.1 (For further information, refer to catalog page B86.)

Materials / Finish

Parts	Material	Finish	Remarks
Insulator	PBT	Black	UL94V-0
Socket Contact	Copper alloy	Selective gold plating	—————
Pin header Contact	Brass		

Product Number Structure

Refer to the chart below when determining the product specifications from the product number.
Please select from the product numbers listed in this catalog when placing orders.

Socket and Receptacle

HIF6 A - * D A - 1.27 DSA L
① ② ③ ④ ⑤ ⑥ ⑦ ⑧

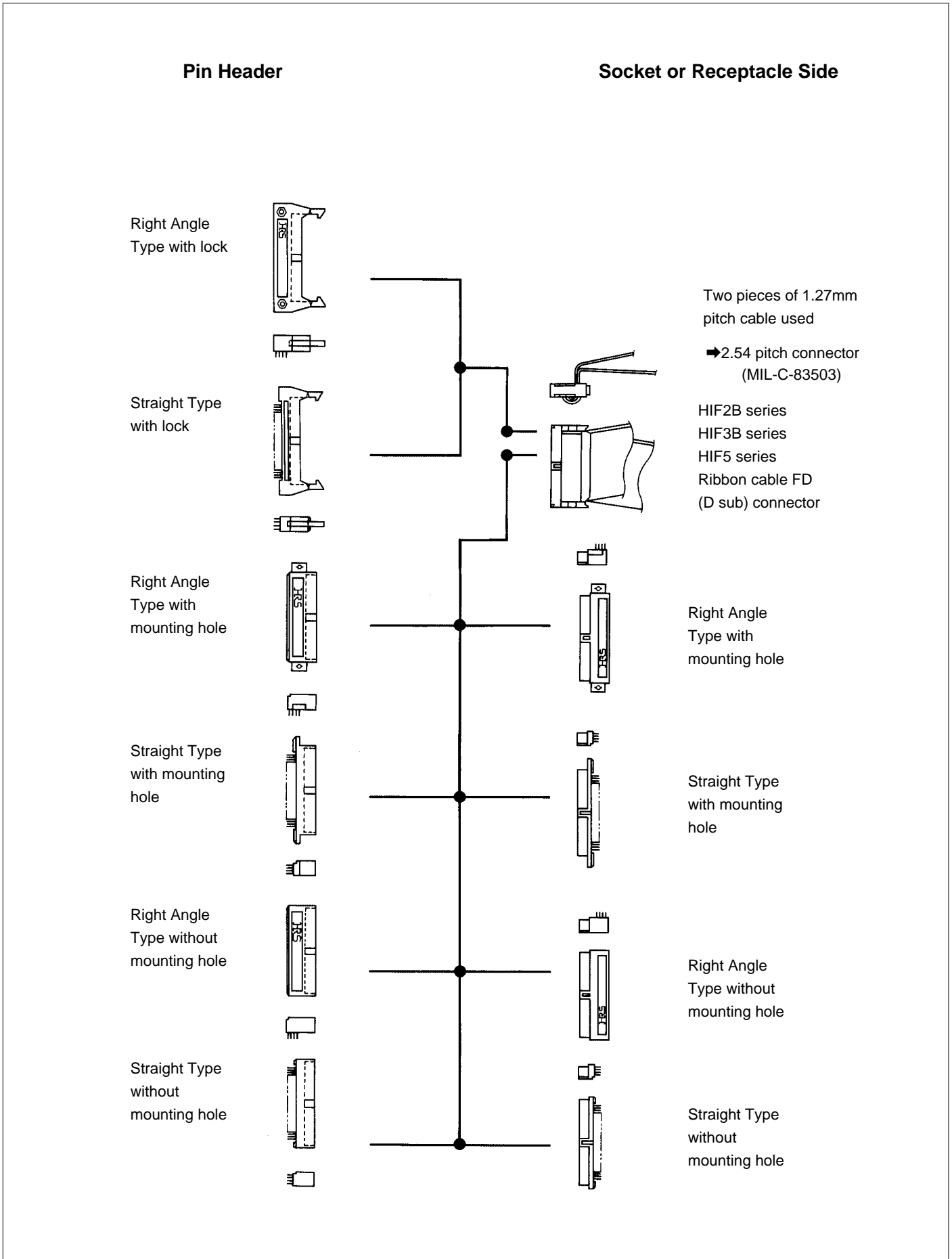
① Series Name	: HIF6
② Blank	: Ribbon cable insulation displacement type
A	: Without board mounting hole
B	: With board mounting hole
③ Number of contacts	: 20, 26, 32, 34, 40, 50, 52, 60, 68, 80, 100
④ D	: Socket or receptacle
⑤ A	: Selective gold plated
⑥ Contact pitch	: 1.27mm
⑦ Contact type	: DS : Right angle type DSA : Straight type R : Ribbon cable ID type
⑧ L	: Board pre-fixed lock pin

Pin Header

HIF6 A - * P A - 1.27 DSA L
① ② ③ ④ ⑤ ⑥ ⑦ ⑧

① Series Name	: HIF6
② Blank	: With lock
A	: Without board mounting hole
B	: With board mounting hole
③ Number of contacts	: 20, 26, 32, 34, 40, 50, 52, 60, 68, 80, 100
④ P	: Pin header
⑤ A	: Selective gold plated
⑥ Contact pitch	: 1.27mm
⑦ Contact style	: DS : Right angle type DSA : Straight type
⑧ L	: Board pre-fixed lock pin

◆ Function Chart

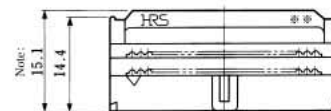
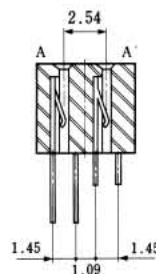


Dec.1.2023 Copyright 2023 HIROSE ELECTRIC CO., LTD. All Rights Reserved.

Cable ID Connector

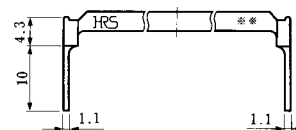
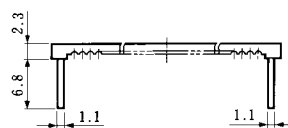
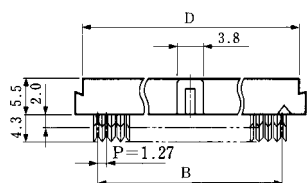
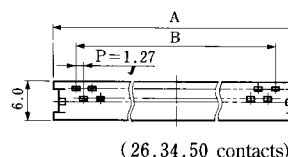
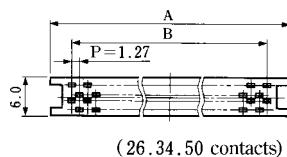
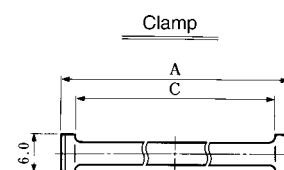
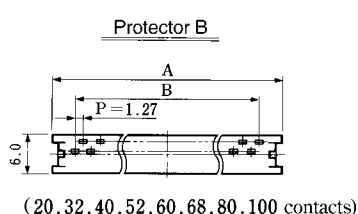
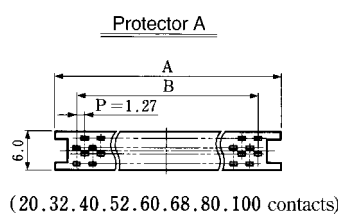
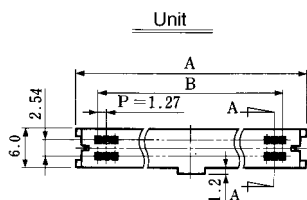


Unit : mm



Combination View

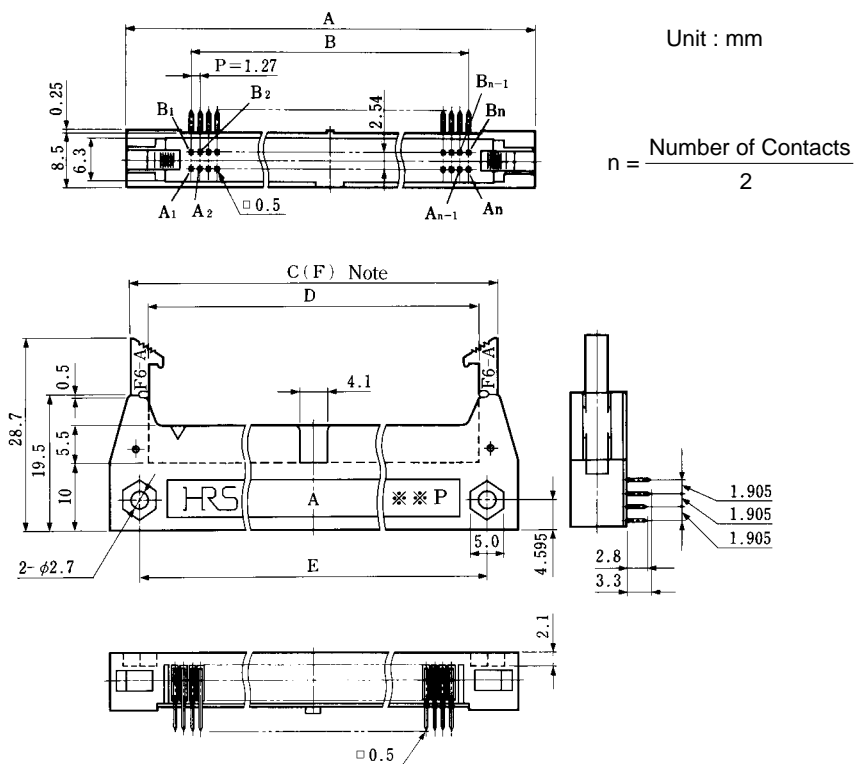
Note: The full height of 100 contacts is 17.1mm, while the clamp type differs Selectively.



Unit : mm

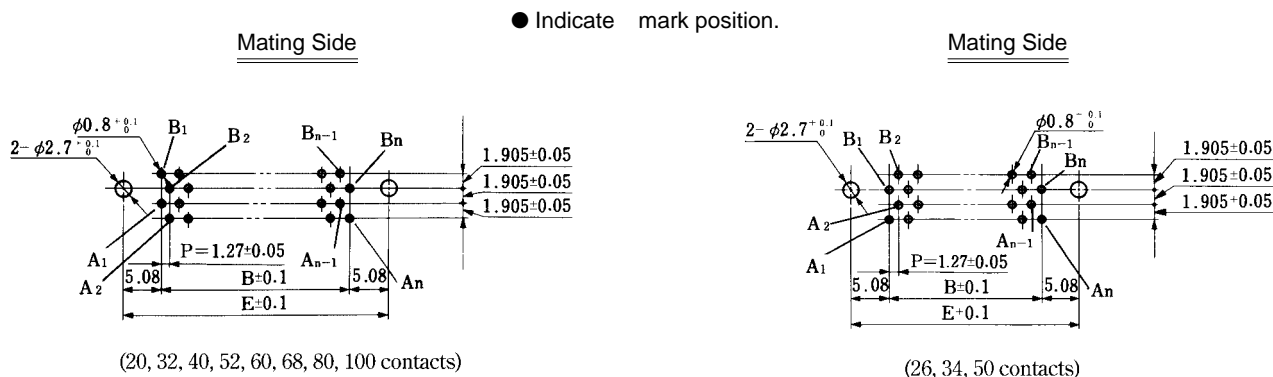
Part No.	HRS No.	No. of Contacts	A	B	C	D	RoHS
HIF6- 20D-1.27R(20)	630-0001-4 20	20	18.55	11.43	13.95	16.35	YES
HIF6- 26D-1.27R(20)	630-0002-7 20	26	22.36	15.24	17.76	20.16	
HIF6- 32D-1.27R(20)	630-0003-0 20	32	26.17	19.05	21.57	23.97	
HIF6- 34D-1.27R(20)	630-0004-2 20	34	27.44	20.32	22.84	25.24	
HIF6- 40D-1.27R(20)	630-0005-5 20	40	31.25	24.13	26.65	29.05	
HIF6- 50D-1.27R(20)	630-0006-8 20	50	37.60	30.48	33.00	35.40	
HIF6- 52D-1.27R(20)	630-0007-0 20	52	38.87	31.75	34.27	36.67	
HIF6- 60D-1.27R(20)	630-0008-3 20	60	43.95	36.83	39.35	41.75	
HIF6- 68D-1.27R(20)	630-0009-6 20	68	49.03	41.91	44.43	46.83	
HIF6- 80D-1.27R(20)	630-0010-5 20	80	56.65	49.53	52.05	54.45	
HIF6-100D-1.27R(20)	630-0011-8 20	100	69.35	62.23	64.75	67.15	

Pin Header Right Angle Type with lock



Note : Size F indicates the state where the lock is open.

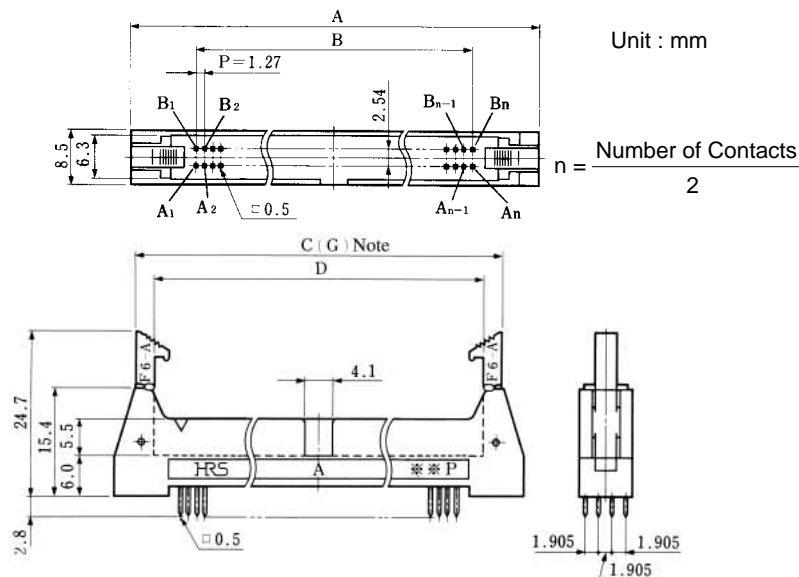
PCB mounting pattern



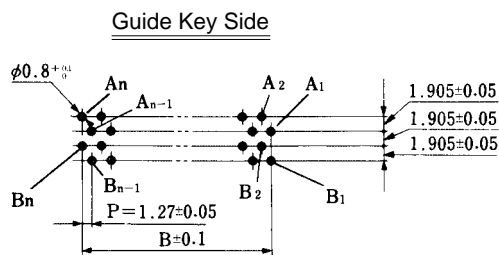
Unit : mm

Part No.	HRS No.	No. of Contacts	A	B	C	D	E	F	RoHS
HIF6- 20PA-1.27DS(71)	630-0051-2 71	20	30.95	11.43	24.55	18.75	21.59	43.55	YES
HIF6- 26PA-1.27DS(71)	630-0052-5 71	26	34.76	15.24	28.36	22.56	25.40	47.36	
HIF6- 32PA-1.27DS(71)	630-0053-8 71	32	38.57	19.05	32.17	26.37	29.21	51.17	
HIF6- 34PA-1.27DS(71)	630-0054-0 71	34	39.84	20.32	33.44	27.64	30.48	52.44	
HIF6- 40PA-1.27DS(71)	630-0055-3 71	40	43.65	24.13	37.25	31.45	34.29	56.25	
HIF6- 50PA-1.27DS(71)	630-0056-6 71	50	50.00	30.48	43.60	37.80	40.64	62.60	
HIF6- 52PA-1.27DS(71)	630-0057-9 71	52	51.27	31.75	44.87	39.07	41.91	63.87	
HIF6- 60PA-1.27DS(71)	630-0058-1 71	60	56.35	36.83	49.95	44.15	46.99	68.95	
HIF6- 68PA-1.27DS(71)	630-0059-4 71	68	61.43	41.91	55.03	49.23	52.07	74.03	
HIF6- 80PA-1.27DS(71)	630-0060-3 71	80	69.05	49.53	62.65	56.85	59.69	81.65	
HIF6-100PA-1.27DS(71)	630-0061-6 71	100	81.75	62.23	75.35	69.55	72.39	94.35	

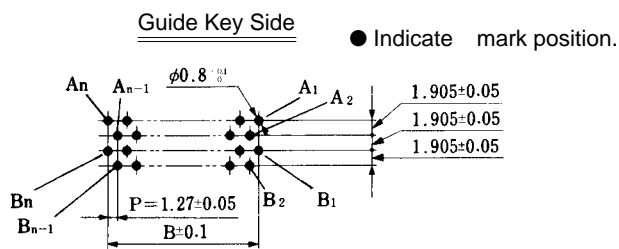
Pin Header Straight Type with lock



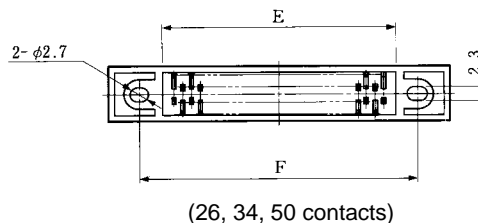
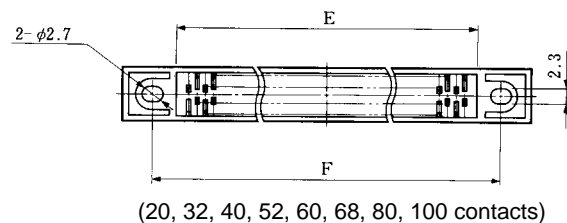
PCB mounting pattern



(20, 32, 40, 52, 60, 68, 80, 100 contacts)



(26, 34, 50 contacts)

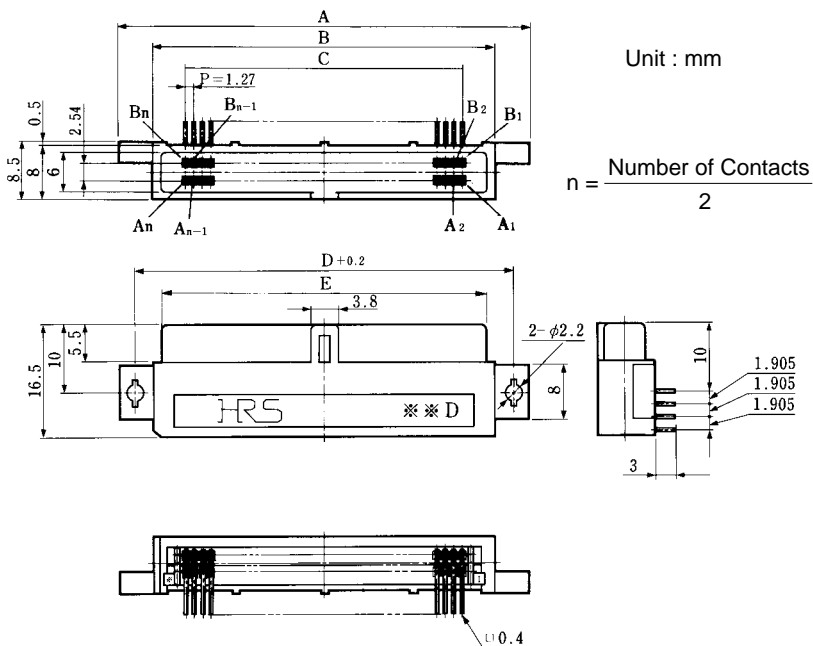


Note : Size G indicates a state where the lock is open.

Unit : mm

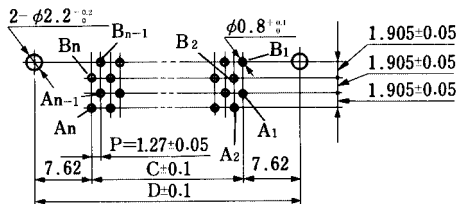
Part No.	HRS No.	No. of Contacts	A	B	C	D	E	F	G	RoHS
HIF6- 20PA-1.27DSA(71)	630-0101-9 71	20	30.95	11.43	24.55	18.75	14.95	21.59	43.55	YES
HIF6- 26PA-1.27DSA(71)	630-0102-1 71	26	34.76	15.24	28.36	22.56	18.76	25.40	47.36	
HIF6- 32PA-1.27DSA(71)	630-0103-4 71	32	38.57	19.05	32.17	26.37	22.57	29.21	51.17	
HIF6- 34PA-1.27DSA(71)	630-0104-7 71	34	39.84	20.32	33.44	27.64	23.84	30.48	52.44	
HIF6- 40PA-1.27DSA(71)	630-0105-0 71	40	43.65	24.13	37.25	31.45	27.65	34.29	56.25	
HIF6- 50PA-1.27DSA(71)	630-0106-2 71	50	50.00	30.48	43.60	37.80	34.00	40.64	62.60	
HIF6- 52PA-1.27DSA(71)	630-0107-5 71	52	51.27	31.75	44.87	39.07	35.27	41.91	63.87	
HIF6- 60PA-1.27DSA(71)	630-0108-8 71	60	56.35	36.83	49.95	44.15	40.35	46.99	68.95	
HIF6- 68PA-1.27DSA(71)	630-0109-0 71	68	61.43	41.91	55.03	49.23	45.43	52.07	74.03	
HIF6- 80PA-1.27DSA(71)	630-0110-0 71	80	69.05	49.53	62.65	56.85	53.05	59.69	81.65	
HIF6-100PA-1.27DSA(71)	630-0111-2 71	100	81.75	62.23	75.35	69.55	65.75	72.39	94.35	

■ Receptacle Right Angle Type with Mounting hole



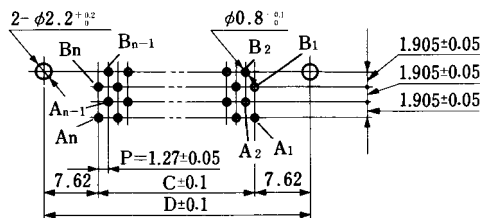
◆ PCB mounting pattern

Mating Side



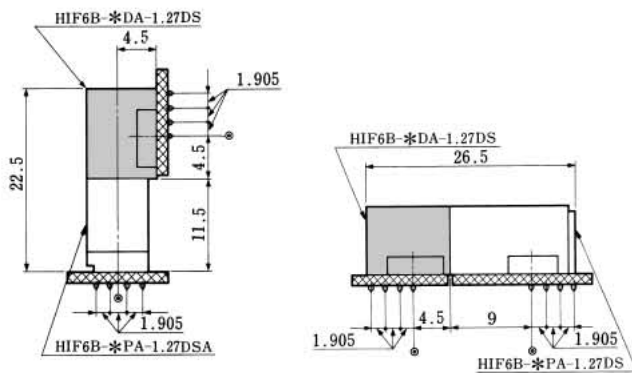
(20, 32, 40, 52, 60, 68, 80 contacts)

Mating Side



(26, 34, 50 contacts)

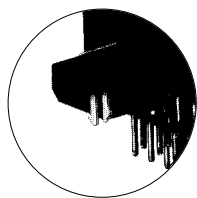
◆ Application Pattern



⊙ Mounting hole center line

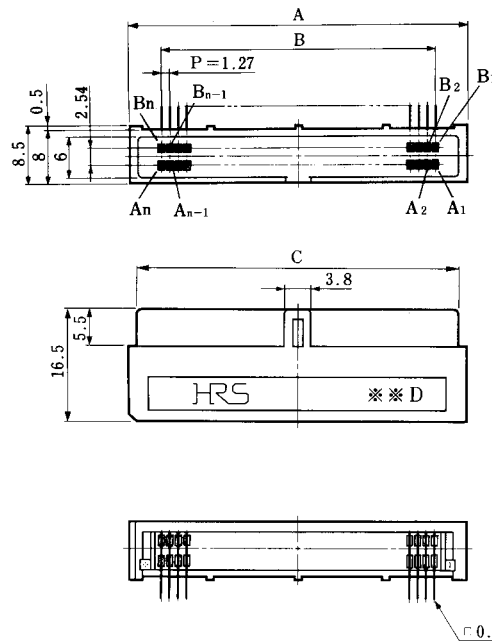
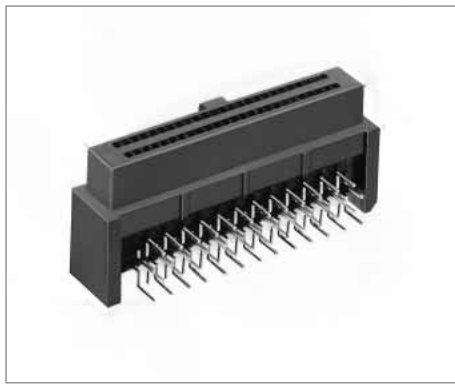
Unit : mm

Part No.	HRS No.	No. of Contacts	A	B	C	D	E	RoHS
HIF6B-20DA-1.27DS(71)	631-0051-9 71	20	30.95	20.95	11.43	26.67	18.55	YES
HIF6B-26DA-1.27DS(71)	631-0052-1 71	26	34.76	24.76	15.24	30.48	22.36	
HIF6B-32DA-1.27DS(71)	631-0053-4 71	32	38.57	28.57	19.05	34.29	26.17	
HIF6B-34DA-1.27DS(71)	631-0054-7 71	34	39.84	29.84	20.32	35.56	27.44	
HIF6B-40DA-1.27DS(71)	631-0055-0 71	40	43.65	33.65	24.13	39.37	31.25	
HIF6B-50DA-1.27DS(71)	631-0056-2 71	50	50.00	40.00	30.48	45.72	37.60	
HIF6B-52DA-1.27DS(71)	631-0057-5 71	52	51.27	41.27	31.75	46.99	38.87	
HIF6B-60DA-1.27DS(71)	631-0058-8 71	60	56.35	46.35	36.83	52.07	43.95	
HIF6B-68DA-1.27DS(71)	631-0059-0 71	68	61.43	51.43	41.91	57.15	49.03	
HIF6B-80DA-1.27DS(71)	631-0060-0 71	80	69.05	59.05	49.53	64.77	56.65	



*Lock pin type is also available.

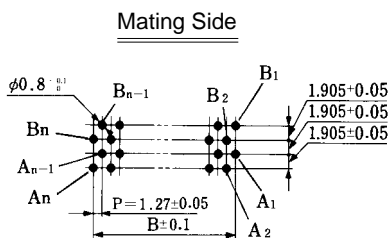
■ Receptacle Right Angle Type Without Mounting hole



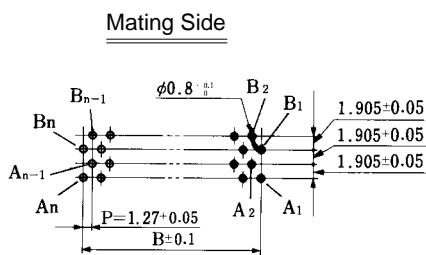
Unit : mm

$$n = \frac{\text{Number of Contacts}}{2}$$

◆ PCB mounting pattern

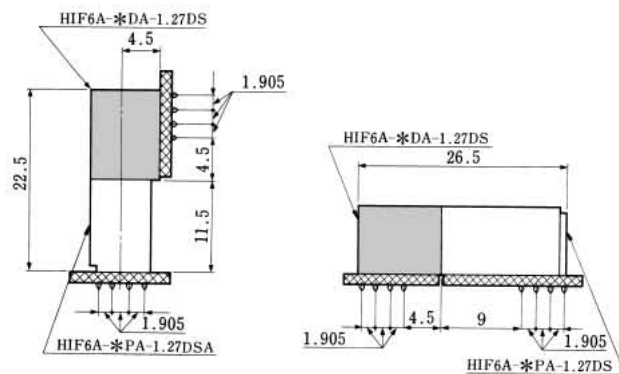


(20, 32, 40, 52, 60, 68, 80 contacts)



(26, 34, 50 contacts)

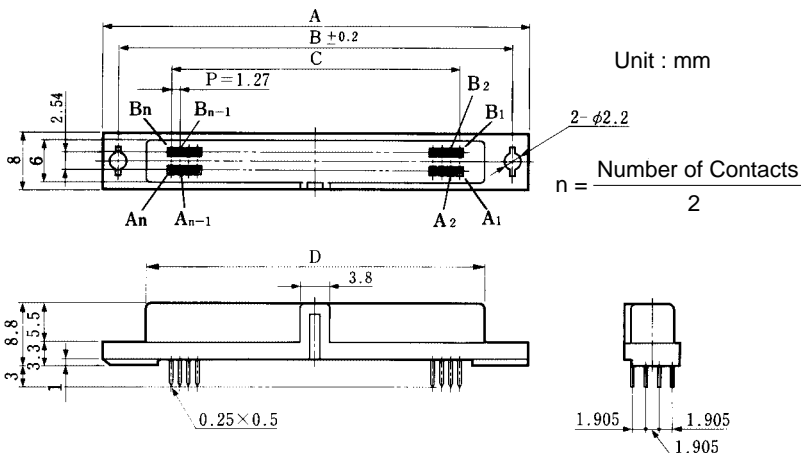
◆ Application Pattern



Unit : mm

Part No.	HRS No.	No. of Contacts	A	B	C	RoHS
HIF6A-20DA-1.27DS(71)	631-0001-0 71	20	20.95	11.43	18.55	YES
HIF6A-26DA-1.27DS(71)	631-0002-3 71	26	24.76	15.24	22.36	
HIF6A-32DA-1.27DS(71)	631-0003-6 71	32	28.57	19.05	26.17	
HIF6A-34DA-1.27DS(71)	631-0004-9 71	34	29.84	20.32	27.44	
HIF6A-40DA-1.27DS(71)	631-0005-1 71	40	33.65	24.13	31.25	
HIF6A-50DA-1.27DS(71)	631-0006-4 71	50	40.00	30.48	37.60	
HIF6A-52DA-1.27DS(71)	631-0007-7 71	52	41.27	31.75	38.87	
HIF6A-60DA-1.27DS(71)	631-0008-0 71	60	46.35	36.83	43.95	
HIF6A-68DA-1.27DS(71)	631-0009-2 71	68	51.43	41.91	49.03	
HIF6A-80DA-1.27DS(71)	631-0010-1 71	80	59.05	49.53	56.65	

■ Receptacle Straight Type with Mounting hole



◆ PCB mounting pattern

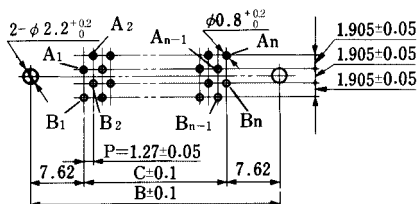


(20, 32, 40, 52, 60, 68, 80, 100 contacts)



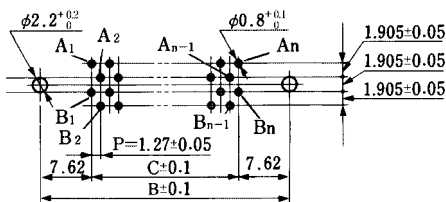
(26, 34, 50 contacts)

Guide Key Side



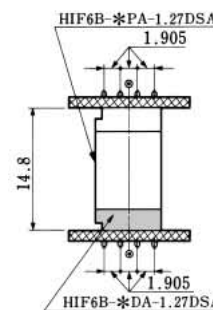
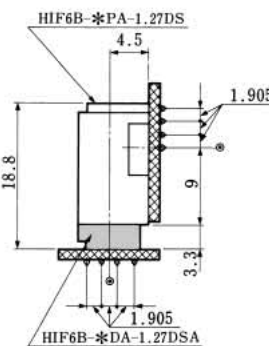
(20, 32, 40, 52, 60, 68, 80, 100 contacts)

Guide Key Side



(26, 34, 50 contacts)

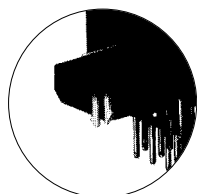
◆ Application Pattern



○ Mounting hole center line

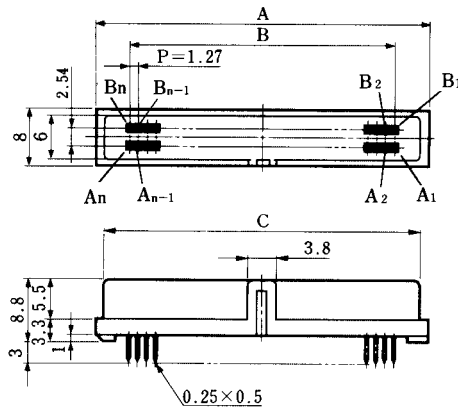
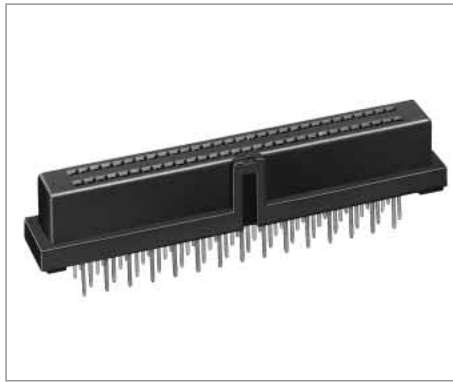
Unit : mm

Part No.	HRS No.	No. of Contacts	A	B	C	D	RoHS
HIF6B- 20DA-1.27DSA(71)	631-0151-3 71	20	30.95	26.67	11.43	18.55	YES
HIF6B- 26DA-1.27DSA(71)	631-0152-6 71	26	34.76	30.48	15.24	22.36	
HIF6B- 32DA-1.27DSA(71)	631-0153-9 71	32	38.57	34.29	19.05	26.17	
HIF6B- 34DA-1.27DSA(71)	631-0154-1 71	34	39.84	35.56	20.32	27.44	
HIF6B- 40DA-1.27DSA(71)	631-0155-4 71	40	43.65	39.37	24.13	31.25	
HIF6B- 50DA-1.27DSA(71)	631-0156-7 71	50	50.00	45.72	30.48	37.60	
HIF6B- 52DA-1.27DSA(71)	631-0157-0 71	52	51.27	46.99	31.75	38.87	
HIF6B- 60DA-1.27DSA(71)	631-0158-2 71	60	56.35	52.07	36.83	43.95	
HIF6B- 68DA-1.27DSA(71)	631-0159-5 71	68	61.43	57.15	41.91	49.03	
HIF6B- 80DA-1.27DSA(71)	631-0160-4 71	80	69.05	64.77	49.53	56.65	
HIF6B-100DA-1.27DSA(71)	631-0161-7 71	100	81.75	77.47	62.23	69.35	



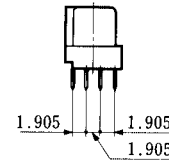
*Lock pin type is also available.

■ Receptacle Straight Type without Mounting hole



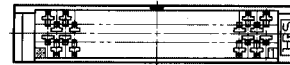
Unit : mm

$$n = \frac{\text{Number of Contacts}}{2}$$



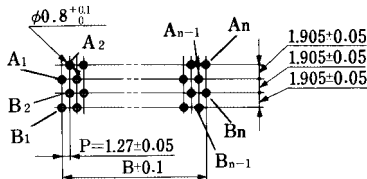
(20, 32, 40, 52, 60, 68, 80, 100 contacts)

◆ PCB mounting pattern



(26, 34, 50 contacts)

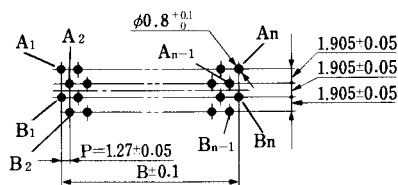
Guide Key Side



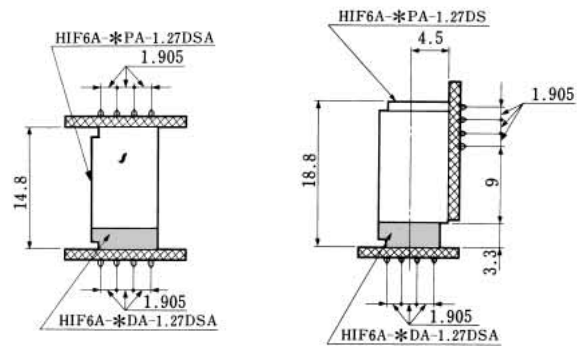
(20, 32, 40, 52, 60, 68, 80, 100 contacts)

◆ Application Pattern

Guide Key Side



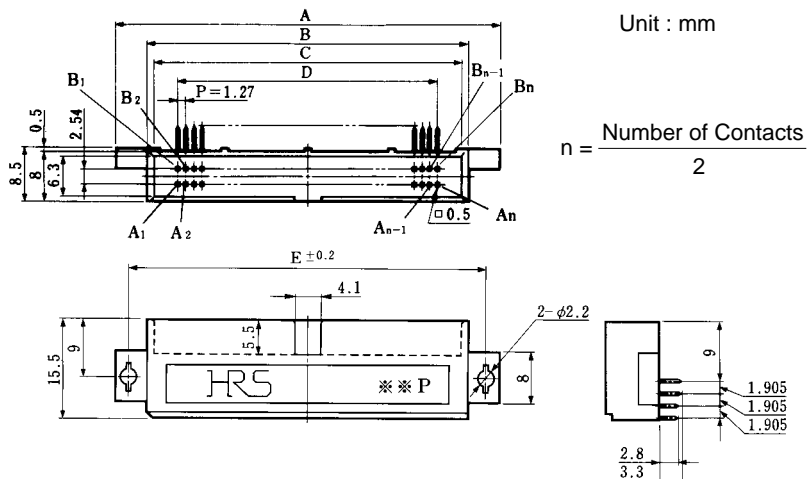
(26, 34, 50 contacts)



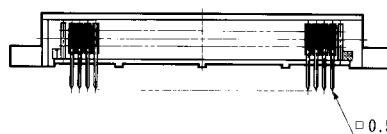
Unit : mm

Part No.	HRS No.	No. of Contacts	A	B	C	RoHS
HIF6A-20DA-1.27DSA(71)	631-0101-5 71	20	20.95	11.43	18.55	YES
HIF6A-26DA-1.27DSA(71)	631-0102-8 71	26	24.76	15.24	22.36	
HIF6A-32DA-1.27DSA(71)	631-0103-0 71	32	28.57	19.05	26.17	
HIF6A-34DA-1.27DSA(71)	631-0104-3 71	34	29.84	20.32	27.44	
HIF6A-40DA-1.27DSA(71)	631-0105-6 71	40	33.65	24.13	31.25	
HIF6A-50DA-1.27DSA(71)	631-0106-9 71	50	40.00	30.48	37.60	
HIF6A-52DA-1.27DSA(71)	631-0107-1 71	52	41.27	31.75	38.87	
HIF6A-60DA-1.27DSA(71)	631-0108-4 71	60	46.35	36.83	43.95	
HIF6A-68DA-1.27DSA(71)	631-0109-7 71	68	51.43	41.91	49.03	
HIF6A-80DA-1.27DSA(71)	631-0110-6 71	80	59.05	49.53	56.65	
HIF6A-100DA-1.27DSA(71)	631-0111-9 71	100	71.75	62.23	69.35	

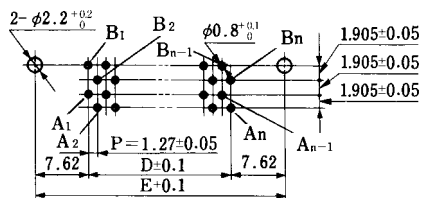
Pin Header Right Angle Type with Mounting hole



PCB mounting pattern

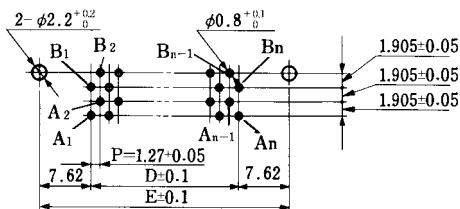


Mating Side



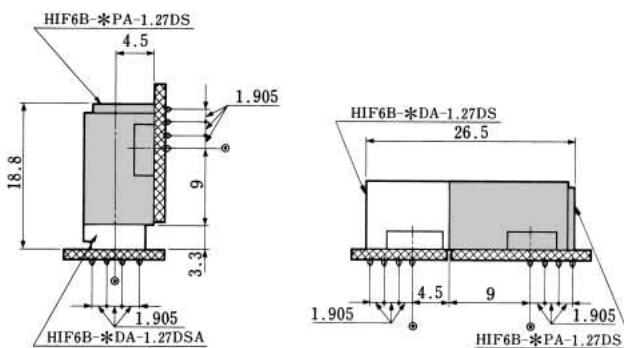
(20, 32, 40, 52, 60, 68, 80, 100 contacts)

Mating Side



(26, 34, 50 contacts)

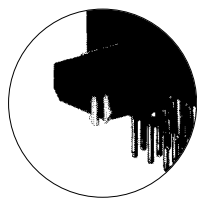
Application Pattern



○ Mounting hole center line

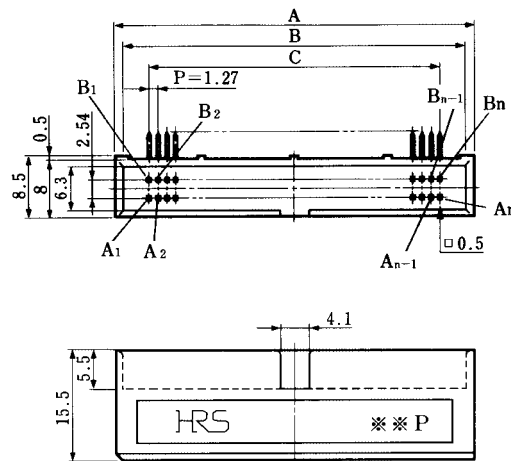
Unit : mm

Part No.	HRS No.	No. of Contacts	A	B	C	D	E	RoHS
HIF6B- 20PA-1.27DS(71)	631-0251-8 71	20	30.95	20.95	18.75	11.43	26.67	YES
HIF6B- 26PA-1.27DS(71)	631-0252-0 71	26	34.76	24.76	22.56	15.24	30.48	
HIF6B- 32PA-1.27DS(71)	631-0253-3 71	32	38.57	28.57	26.37	19.05	34.29	
HIF6B- 34PA-1.27DS(71)	631-0254-6 71	34	39.84	29.84	27.64	20.32	35.56	
HIF6B- 40PA-1.27DS(71)	631-0255-9 71	40	43.65	33.65	31.45	24.13	39.37	
HIF6B- 50PA-1.27DS(71)	631-0256-1 71	50	50.00	40.00	37.80	30.48	45.72	
HIF6B- 52PA-1.27DS(71)	631-0257-4 71	52	51.27	41.27	39.07	31.75	46.99	
HIF6B- 60PA-1.27DS(71)	631-0258-7 71	60	56.35	46.35	44.15	36.83	52.07	
HIF6B- 68PA-1.27DS(71)	631-0259-0 71	68	61.43	51.43	49.23	41.91	57.15	
HIF6B- 80PA-1.27DS(71)	631-0260-9 71	80	69.05	59.05	56.85	49.53	64.77	
HIF6B-100PA-1.27DS(71)	631-0261-1 71	100	81.75	71.75	69.55	62.23	77.47	



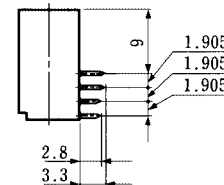
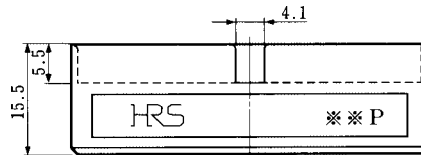
※Lock pin type is also available.

Pin Header Right Angle Type Without Mounting hole

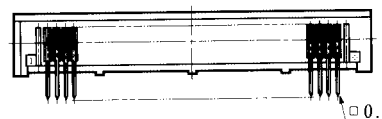


Unit : mm

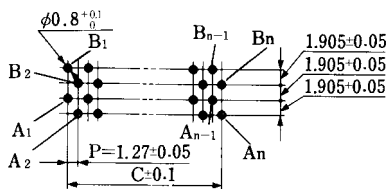
$$n = \frac{\text{Number of Contacts}}{2}$$



PCB mounting pattern

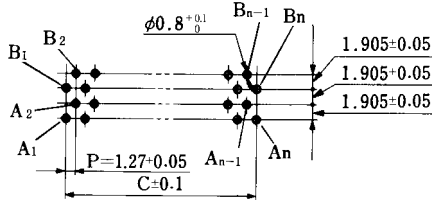


Mating Side



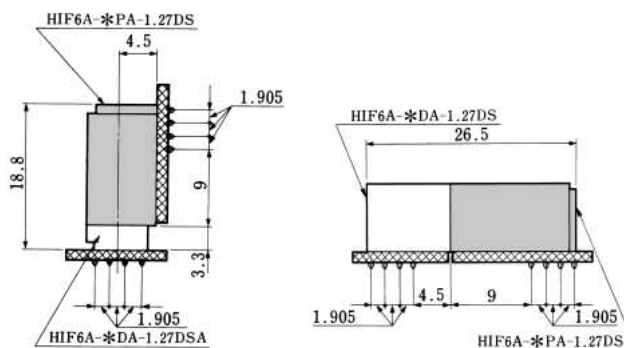
(20, 32, 40, 52, 60, 68, 80, 100 contacts)

Mating Side



(26, 34, 50 contacts)

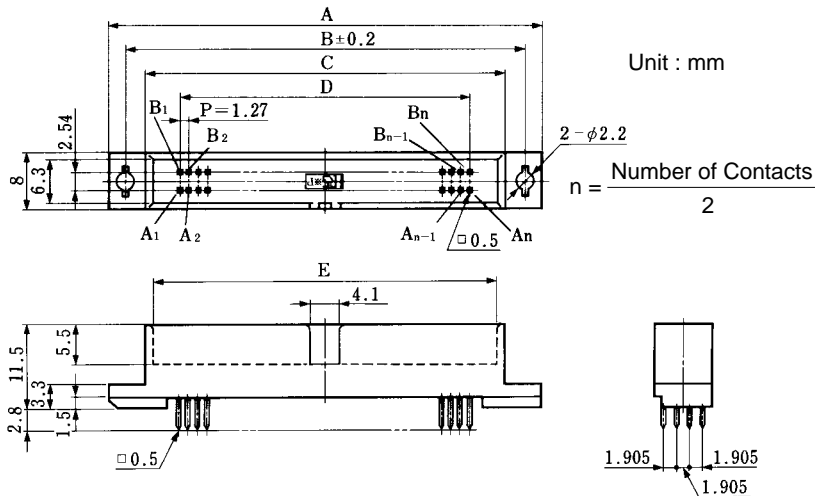
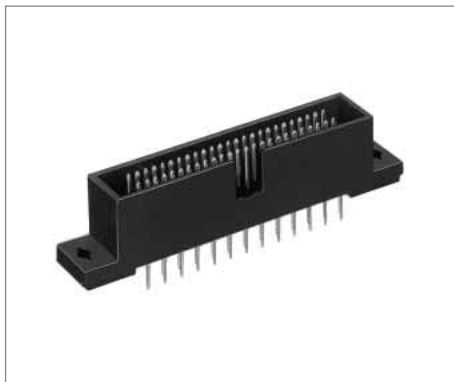
Application Pattern



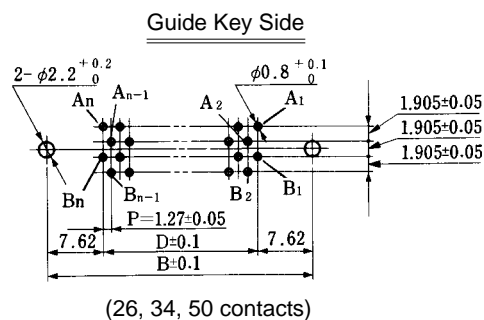
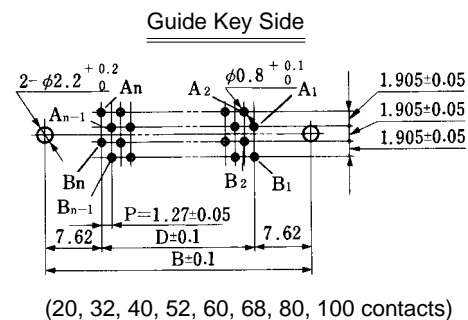
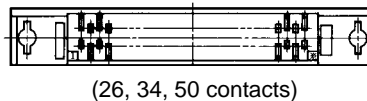
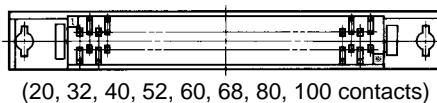
Unit : mm

Part No.	HRS No.	No. of Contacts	A	B	C	RoHS
HIF6A- 20PA-1.27DS(71)	631-0201-0 71	20	20.95	18.75	11.43	YES
HIF6A- 26PA-1.27DS(71)	631-0202-2 71	26	24.76	22.56	15.24	
HIF6A- 32PA-1.27DS(71)	631-0203-5 71	32	28.57	26.37	19.05	
HIF6A- 34PA-1.27DS(71)	631-0204-8 71	34	29.84	27.64	20.32	
HIF6A- 40PA-1.27DS(71)	631-0205-0 71	40	33.65	31.45	24.13	
HIF6A- 50PA-1.27DS(71)	631-0206-3 71	50	40.00	37.80	30.48	
HIF6A- 52PA-1.27DS(71)	631-0207-6 71	52	41.27	39.07	31.75	
HIF6A- 60PA-1.27DS(71)	631-0208-9 71	60	46.35	44.15	36.83	
HIF6A- 68PA-1.27DS(71)	631-0209-1 71	68	51.43	49.23	41.91	
HIF6A- 80PA-1.27DS(71)	631-0210-0 71	80	59.05	56.85	49.53	
HIF6A-100PA-1.27DS(71)	631-0211-3 71	100	71.75	69.55	62.23	

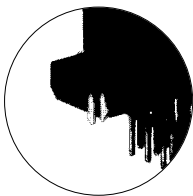
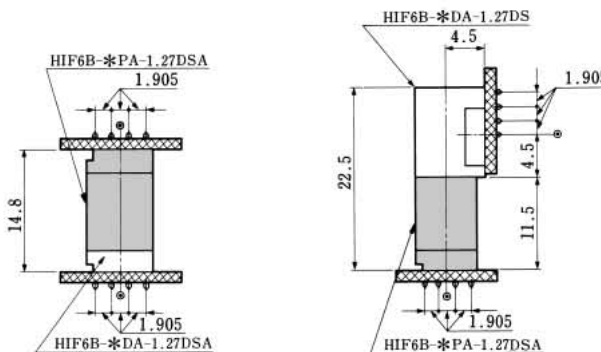
■ Pin Header Straight Type with Mounting hole



◆ PCB mounting pattern



◆ Application Pattern

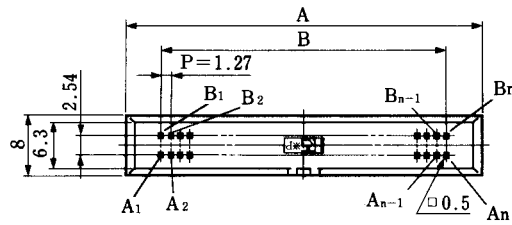
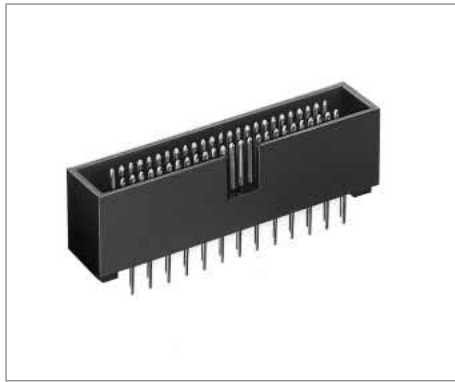


*Lock pin type is also available.

Unit : mm

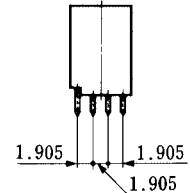
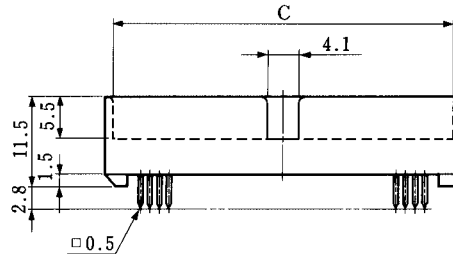
Part No.	HRS No.	No. of Contacts	A	B	C	D	E	RoHS
HIF6B- 20PA-1.27DSA(71)	631-0351-2 71	20	30.95	26.67	20.95	11.43	18.75	YES
HIF6B- 26PA-1.27DSA(71)	631-0352-5 71	26	34.76	30.48	24.76	15.24	22.56	
HIF6B- 32PA-1.27DSA(71)	631-0353-8 71	32	38.57	34.29	28.57	19.05	26.37	
HIF6B- 34PA-1.27DSA(71)	631-0354-0 71	34	39.84	35.56	29.84	20.32	27.64	
HIF6B- 40PA-1.27DSA(71)	631-0355-3 71	40	43.65	39.37	33.65	24.13	31.45	
HIF6B- 50PA-1.27DSA(71)	631-0356-6 71	50	50.00	45.72	40.00	30.48	37.80	
HIF6B- 52PA-1.27DSA(71)	631-0357-9 71	52	51.27	46.99	41.27	31.75	39.07	
HIF6B- 60PA-1.27DSA(71)	631-0358-1 71	60	56.35	52.07	46.35	36.83	44.15	
HIF6B- 68PA-1.27DSA(71)	631-0359-4 71	68	61.43	57.15	51.43	41.91	49.23	
HIF6B- 80PA-1.27DSA(71)	631-0360-3 71	80	69.05	64.77	59.05	49.53	56.85	
HIF6B-100PA-1.27DSA(71)	631-0361-6 71	100	81.75	77.47	71.75	62.23	69.55	

Pin Header Straight Type Without Mounting hole



Unit : mm

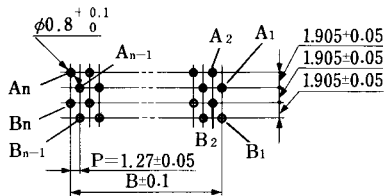
$$n = \frac{\text{Number of Contacts}}{2}$$



(20, 32, 40, 52, 60, 68, 80, 100 contacts)

PCB mounting pattern

Guide Key Side

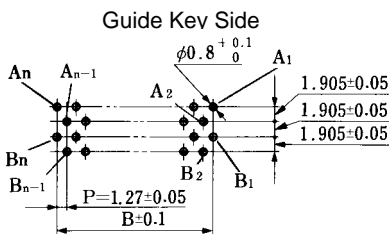
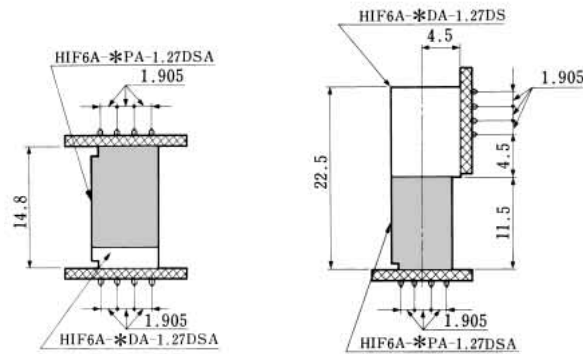


(20, 32, 40, 52, 60, 68, 80, 100 contacts)



(26, 34, 50 contacts)

Application Pattern



(26, 34, 50 contacts)

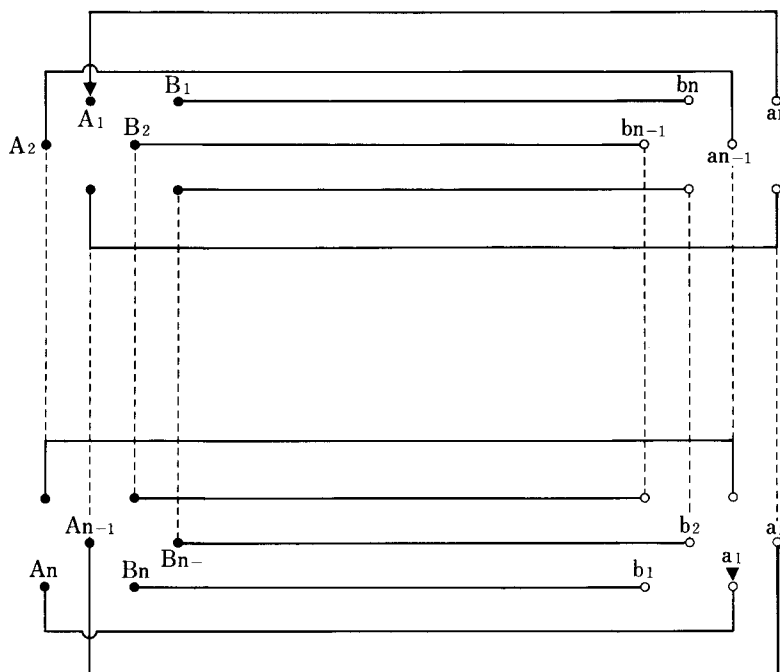
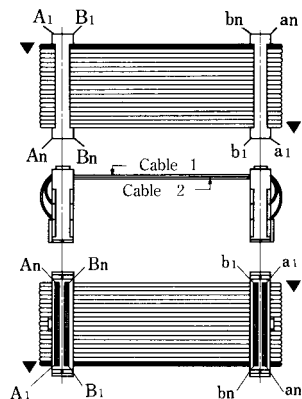
Unit : mm

Part No.	HRS No.	No. of Contacts	A	B	C	RoHS
HIF6A-20PA-1.27DSA(71)	631-0301-4 71	20	20.95	11.43	18.75	YES
HIF6A-26PA-1.27DSA(71)	631-0302-7 71	26	24.76	15.24	22.56	
HIF6A-32PA-1.27DSA(71)	631-0303-0 71	32	28.57	19.05	26.37	
HIF6A-34PA-1.27DSA(71)	631-0304-2 71	34	29.84	20.32	27.64	
HIF6A-40PA-1.27DSA(71)	631-0305-5 71	40	33.65	24.13	31.45	
HIF6A-50PA-1.27DSA(71)	631-0306-8 71	50	40.00	30.48	37.80	
HIF6A-52PA-1.27DSA(71)	631-0307-0 71	52	41.27	31.75	39.07	
HIF6A-60PA-1.27DSA(71)	631-0308-3 71	60	46.35	36.83	44.15	
HIF6A-68PA-1.27DSA(71)	631-0309-6 71	68	51.43	41.91	49.23	
HIF6A-80PA-1.27DSA(71)	631-0310-5 71	80	59.05	49.53	56.85	
HIF6A-100PA-1.27DSA(71)	631-0311-8 71	100	71.75	62.23	69.55	

◆ Connection Circuit (20, 32, 40, 52, 60, 68, 80, 100 contacts)

Type A, B

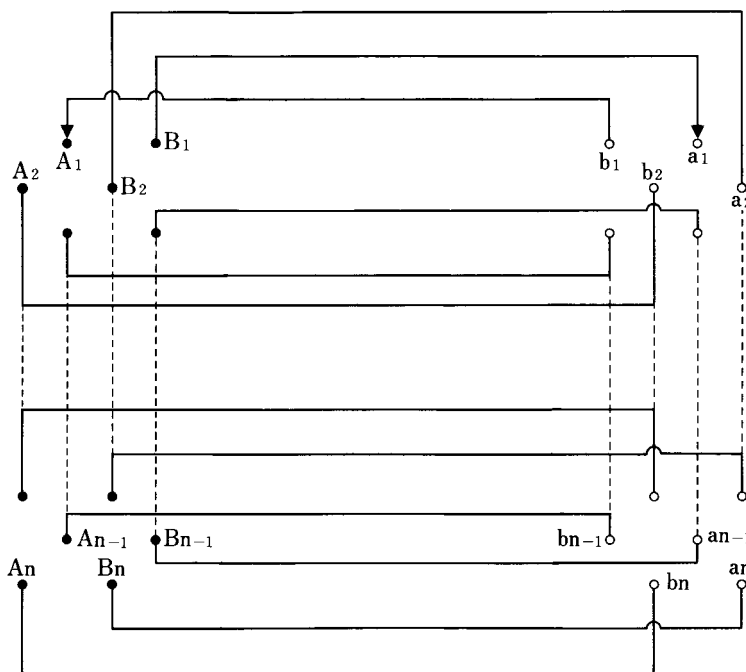
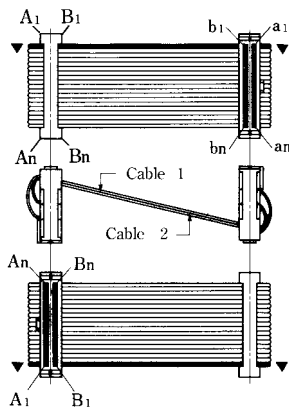
$$n = \frac{\text{Number of Contacts}}{2}$$



Connection of Cable 1 Connection of Cable 2

- | | |
|-----------|-----------|
| A1 — an | B1 — bn |
| A2 — an-1 | B2 — bn-1 |
| ⋮ | ⋮ |
| An — a1 | Bn — b1 |

Type A, A



Connection of Cable 1 Connection of Cable 2

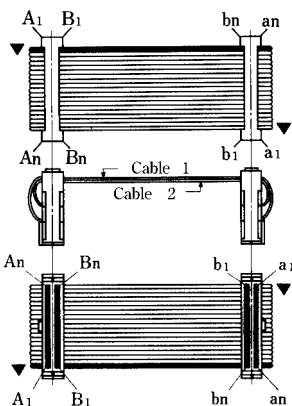
- | | |
|---------|---------|
| A1 — b1 | B1 — a1 |
| A2 — b2 | B2 — a2 |
| ⋮ | ⋮ |
| An — bn | Bn — an |

Dec.1.2023 Copyright 2023 HIROSE ELECTRIC CO., LTD. All Rights Reserved.

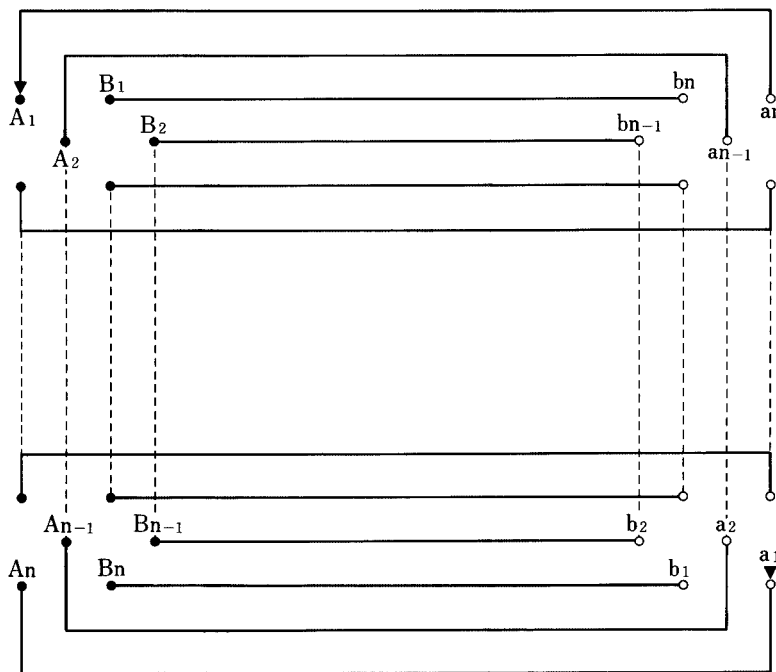
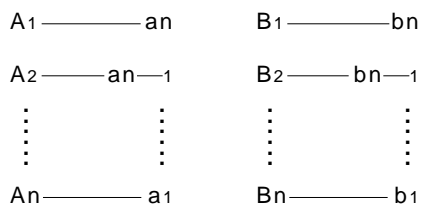
◆ Connection Circuit (26, 40, 50 contacts)

Type A, B

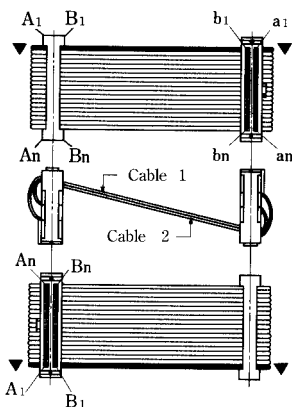
$$n = \frac{\text{Number of Contacts}}{2}$$



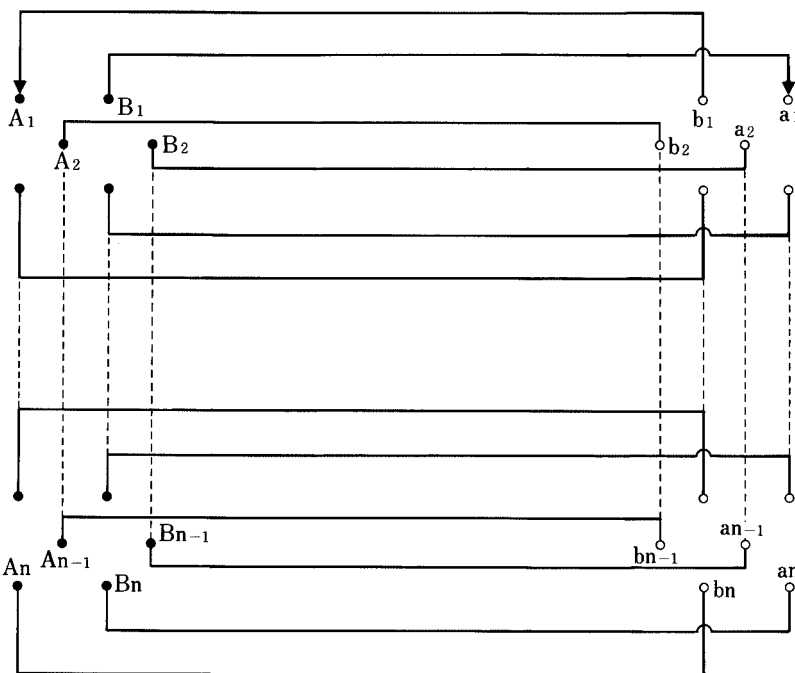
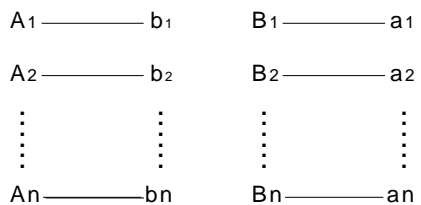
Connection of Cable 1 Connection of Cable 2



Type A, A



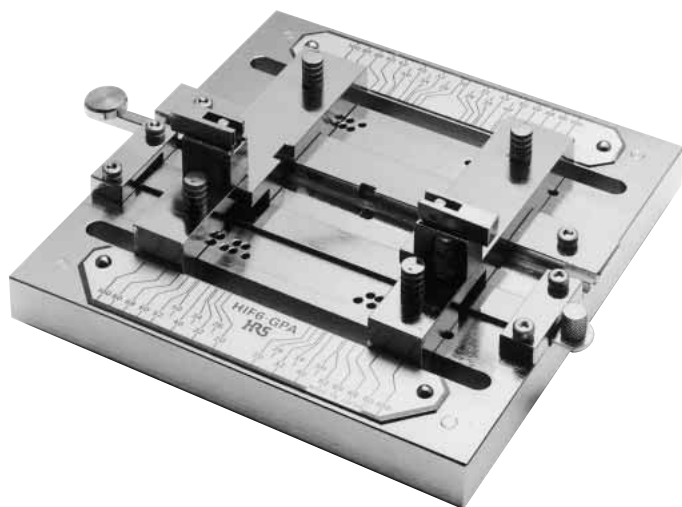
Connection of Cable 1 Connection of Cable 2



Dec.1.2023 Copyright 2023 HIROSE ELECTRIC CO., LTD. All Rights Reserved.

◆ Connection Jig

● Guide Plate



HIF 6 - GPA
550 - 0165 - 8

● Hi-Flex Connection Press



Hi-Flex Connection Press HHP502
550 - 0082 - 2

*Pressing Block

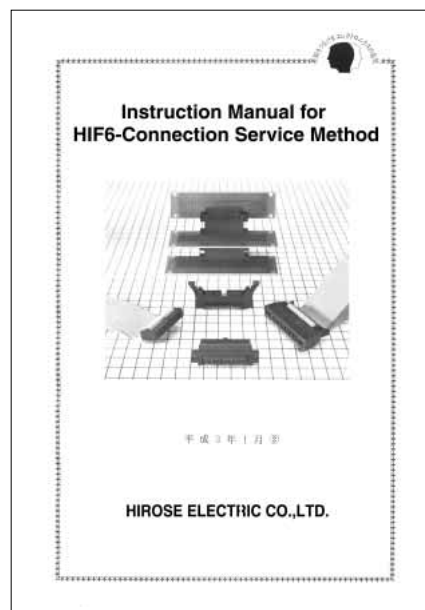
Part No.	HRS No.
Pressing Block A-01	550-0133-1

● Cable Cutter



HIF6 Cable Cutter-FC601
550 - 0166 - 0

● Instruction Manual for HIF6 Connection Service Method



14 Pages

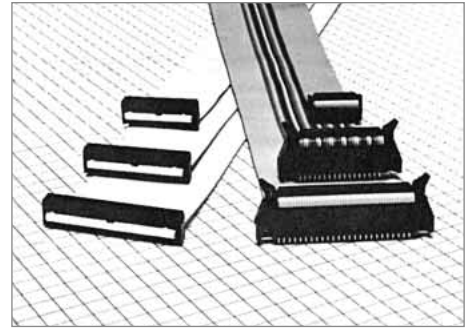
Dec.1.2023 Copyright 2023 HIROSE ELECTRIC CO., LTD. All Rights Reserved.

■ HIF6 Series: Connection Type Coupled Connector

HIF3B Series (MIL-C-83503)

- Compliant with the MIL standard
- The VA idea is reflected on both pin header and socket.
- Products with pull-out tab are available.
- Countermeasures are taken against noises in combination with the applicable cover case.
- The type aligned in single-row, low profile type, is available for pin header locking system, in addition to standard products.

Number of contacts: 6, 10, 14, 16, 20, 26, 30, 34, 40, 50, 60, 64



HIF2 Series (Board direct mount type)

① 2-row parallel type (HIF2E)

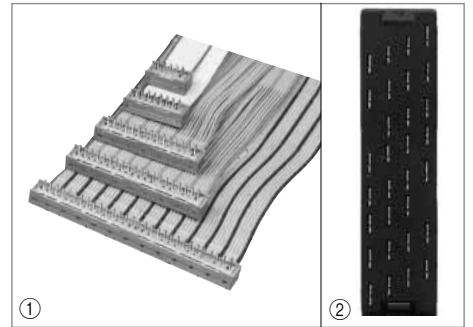
Number of contacts: 10, 14, 16, 20, 26, 30, 34, 40, 50, 60

2.54mm grid alignment facilitates to the design pattern.

② 4-row staggered type (HIF2C)

Number of contacts: 10, 14, 16, 20, 26, 30, 34, 40, 50, 60

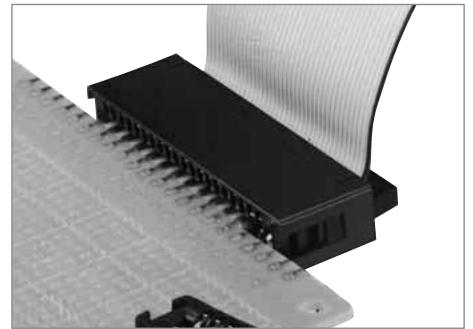
Mounting height is 4.9mm low profile type.



HIF5 Series (Card edge ribbon type)

- Three types of full hole, semi-hole and no mount area are provided for the unit mount area.
- Connectors are connected in the bus line system.
- Cables can be returned within the connector mold width.

Number of contacts: 20, 26, 34, 40, 50, 60



FD Series (D sub-ribbon connector)

- The standard pitch 1.27mm ribbon cable can be insulated and displaced by replacing a jig, in addition to the same pitch 1.38mm as for the D sub connector.
- The space saving type allows to reduce the thickness on the connection side according to set miniaturization.
- Connectors can be installed from both front and rear sides of the chassis or panel.

Number of contacts: 9, 15, 25, 37

