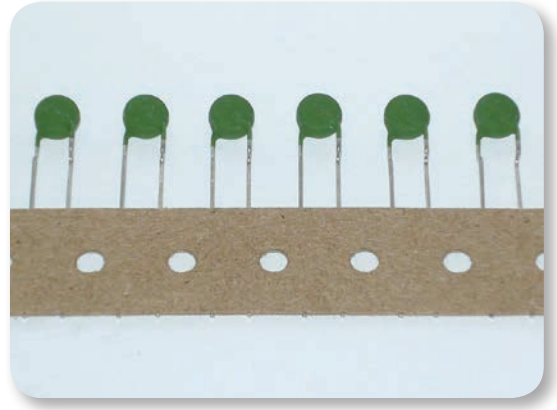


T H E R M O M E T R I C S
A C O M M I T M E N T T O E X C E L L E N C E

Type YQ Series

Thermometrics
RoHS-Compliant
PTC Thermistors



Features

- A range of radially-wired PTC disc thermistors with green silicone resin coating
- Designed for general purpose over-current, over-voltage and direct over-temperature protection
- Wide range of operating current and voltage levels
- Excellent stability
- Fail-safe operation
- Solid state
- High performance barium titanate ceramic
- Suitable for automatic PCB insertion insulated lead wires

Amphenol
Advanced Sensors

Packaging

All types in the YQ range are available loose-packed, as shown in the drawing. Devices are also available on bandolier (tape & reel): types with diameter $A < 12\text{mm}$ comply with IEC 286-2. To identify the tape & reel packaging required, replace N in the product codes shown in the table as follows:

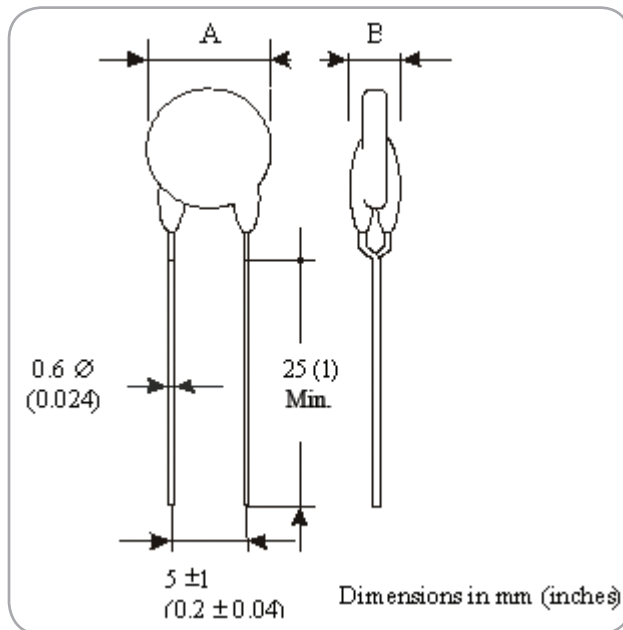
Bandoliered T

Loose-packed N

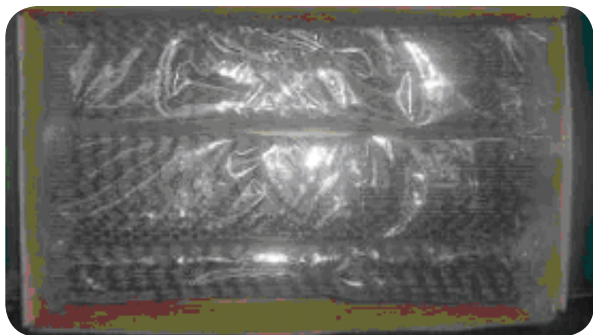
Packing Method (Reference Only)

Loose Pack (N)

$D \leq 5\text{ mm}$	2500 PCS/box
$5\text{mm} < D \leq 8\text{mm}$	2000 PCS/box
$8\text{mm} < D \leq 10\text{mm}$	1500 PCS/box
$10\text{mm} < D \leq 13\text{mm}$	750 PCS/box
$D > 13\text{mm}$	500 PCS/box



Type YQ Dimensions



Type YQ Specifications

Tolerance on R25

$\pm 25\%$

Ambient Temperature Range

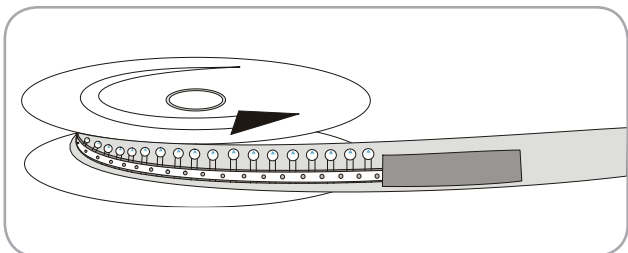
at maximum voltage 0° to $+60^\circ\text{C}$
at zero voltage -25° to $+125^\circ\text{C}$

Lead Wire Material

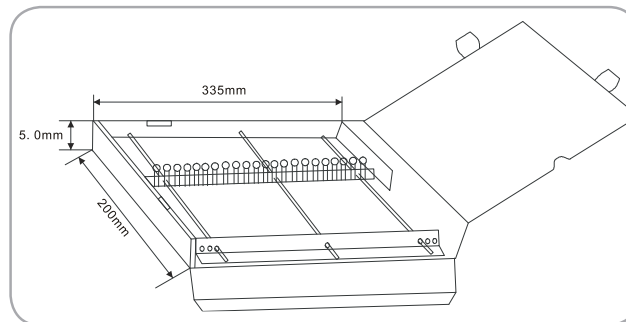
Tin-coated copper Body coating
Green Silicone resin

Tape and Reel Pack (T)

$D \leq 5\text{mm}$	1500PCS/box	Tape and reel pack form
$5\text{mm} < D \leq 8\text{mm}$	1000PCS/box	Tape and reel pack form
$8\text{mm} < D \leq 10\text{mm}$	750PCS/box	Tape and reel pack form
$10\text{mm} < D \leq 13\text{mm}$	500PCS/box	Tape and reel pack form
$D > 13\text{mm}$	375 PCS/box	folding form



Tape and Reel Form



Folding Form

Ordering Information

Group	Code	R25Ω	I _{nt} (A)	I _t (A)	I _{mo} (A)	A max.		B max.	
						mm	inch	mm	inch
265Vrms T _b =120°C	YQD120N0006	6	0.39	0.78	3.1	17.5	0.69	5	0.2
	YQD120N0010	10	0.25	0.5	1.8	13.5	0.53	5	0.2
	YQD120N0015	15	0.18	0.35	1.2	11	0.43	5	0.2
	YQD120N0025	25	0.13	0.25	0.8	9	0.35	5	0.2
	YQD120N0045	45	0.105	0.2	0.8	9	0.35	5	0.2
	YQD120N0055	55	0.09	0.18	0.8	9	0.35	5	0.2
	YQD120N0070	70	0.065	0.13	0.3	6.5	0.26	5	0.2
	YQD120N0120	120	0.035	0.08	0.3	6.5	0.26	5	0.2
265Vrms T _b =100°C	YQD100N0150	150	0.038	0.08	0.3	6.5	0.26	5	0.2
	YQD100N0300	300	0.027	0.055	0.3	6.5	0.26	5	0.2
	YQD100N0600	600	0.02	0.04	0.2	6.5	0.26	5	0.2
	YQD100N1000	1000	0.015	0.03	0.2	6.5	0.26	5	0.2
265Vrms T _b =80°C	YQD080N0025	25	0.085	0.17	0.8	9	0.35	5	0.2
	YQD080N0050	50	0.06	0.12	1	9	0.35	5	0.2
	YQD080N0100	100	0.05	0.1	0.6	8	0.32	5	0.2
	YQD080N0150	150	0.022	0.045	0.2	4.5	0.18	5	0.2
140Vrms T _b =120°C	YQC120N4.70	4.7	0.425	0.85	3.1	17.5	0.69	5	0.2
	YQC120N5.60	5.6	0.4	0.8	3.1	17.5	0.69	5	0.2
	YQC120N6.80	6.8	0.3	0.6	1.8	13.5	0.53	5	0.2
	YQC120N0010	10	0.225	0.45	1.2	11	0.43	5	0.2
	YQC120N0022	22	0.135	0.27	0.8	9	0.35	5	0.2
	YQC120N0033	33	0.09	0.175	0.3	6.5	0.26	5	0.2
80Vdc 60Vrms T _b =120°C	YQB120N2.30	2.3	0.55	1.1	8	17.5	0.69	4	0.16
	YQB120N3.70	3.7	0.38	0.75	5.5	13.5	0.53	4	0.16
	YQB120N5.60	5.6	0.3	0.6	4.3	11	0.43	4	0.16
	YQB120N9.40	9.4	0.18	0.36	3	9	0.35	4	0.16
	YQB120N0025	25	0.1	0.2	1	6.5	0.26	4	0.16
	YQB120N0055	55	0.06	0.12	0.7	4	0.16	3.5	1.4
30Vrms T _b =120°C	YQA120N1.20	1.2	0.75	1.5	5.5	13.5	0.53	4	0.16
	YQA120N1.8L	1.8	0.5	1	5.5	13.5	0.53	4	0.16
	YQA120N1.80	1.8	0.55	1	3	9	0.35	4	0.16
	YQA120N4.2	4.2	0.28	0.56	3	9	0.35	4	0.16
	YQA120N0010	10	0.17	0.34	1	6.5	0.26	4	0.16
18Vrms T _b =120°C	YQZ120N1.00	1	0.65	1.2	3	9	0.35	4	0.16
	YQZ120N1.20	1.2	0.7	1.4	4.3	11	0.43	4	0.16
	YQZ120N1.80	1.8	0.55	1	3	9	0.35	4	0.16
	YQZ120N4.60	4.6	0.3	0.58	1	6.5	0.26	4	0.16
	YQZ120N0013	13	0.14	0.28	0.7	4.5	0.18	4	0.16

V _{max}	Maximum operating voltage	R ₂₅	Resistance at 25°C
T _b	Switching temperature	I _{mo}	Maximum overload current
I _{nt}	Maximum current without tripping (25°C ambient)	I _t	Minimum trip current (25°C ambient)

Amphenol
Advanced Sensors

www.amphenol-sensors.com

© 2018 Amphenol Corporation. All Rights Reserved. Specifications are subject to change without notice.
Other company names and product names used in this document are the registered trademarks or
trademarks of their respective owners.

AAS-920-510B-02/2018