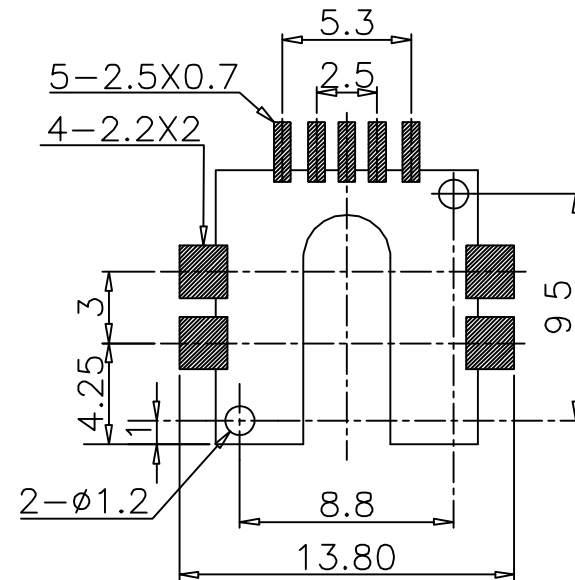
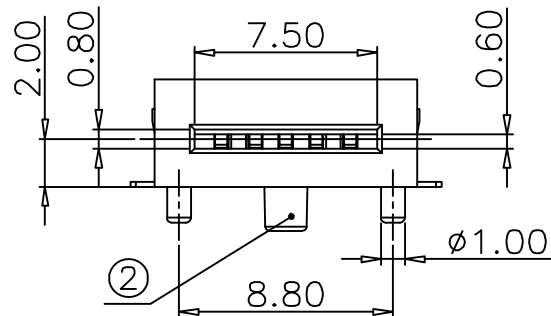
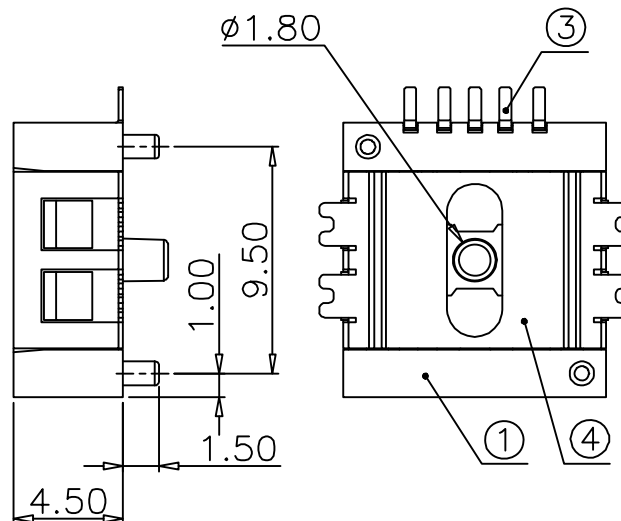
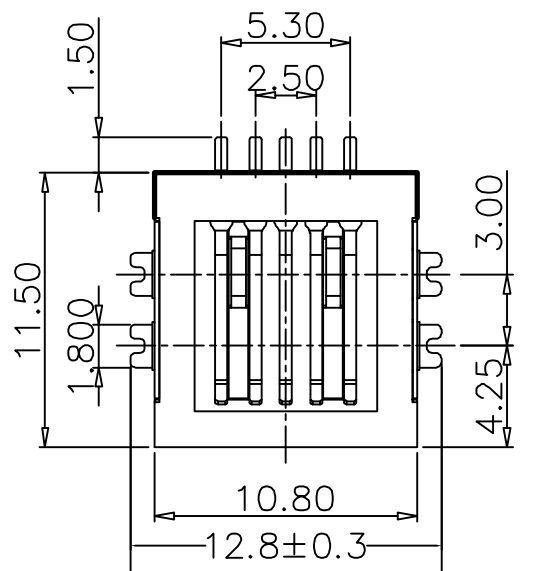




REV.	ECN NO.	REVISED	DATE



PCB Layout Diagram
Top View



4	SHELL	1	PHOSPHOR BRONZE, T=0.20mm	Ni-Plating
3	TERMINAL	5	PHOSPHOR BRONZE, T=0.20mm	Gold Plating and Ni Under-Plating
2	SLIDER	1	LCP	BLACK
1	HOUSING	1	LCP	BLACK

NO.	PART NAME	Q'TY	MATERIAL	PLATING & COLOR
-----	-----------	------	----------	-----------------

UNLESS OTHERWISE SPECIFIED TOLERANCES		MYOUNG 美阳 www.meiyangdz.com	
DECIMALS: X :±0.30 X.X :±0.25 X.XX :±0.20 X.XXX :±0.10	ANGLES: X :±1° X.X :±0.5°	DSND YangFeng	DATE 2019-03-05
WEIGHT: g		CHKD ZhouRuicai	DATE 2019-03-05
SHEET 1 OF 1		APVD XueShun Yong	DATE 2019-03-05
UNIT: mm	REV.: A/0	SCALE:	VIEW:
		SIZE: A4	TITLE: 5P血糖仪连接器 滑盖
			PART NO.: XTY-5P-001
			DRAW NO.:MY-CP-0190