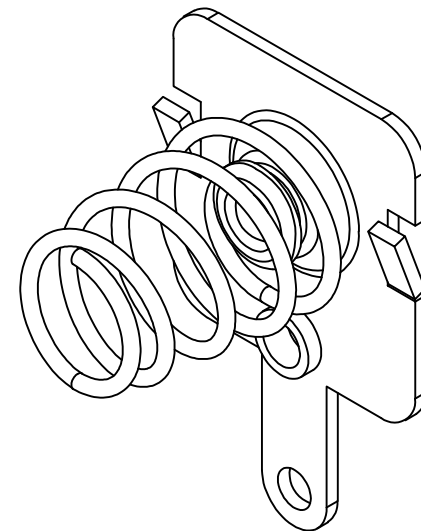
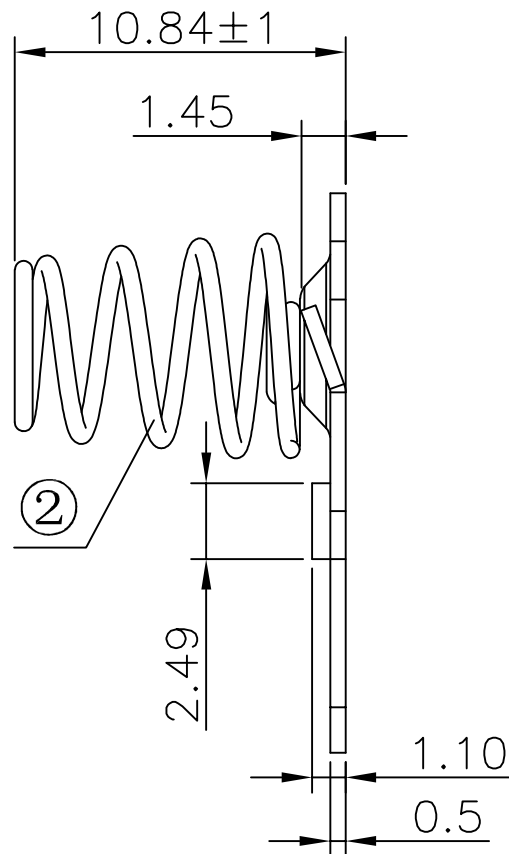
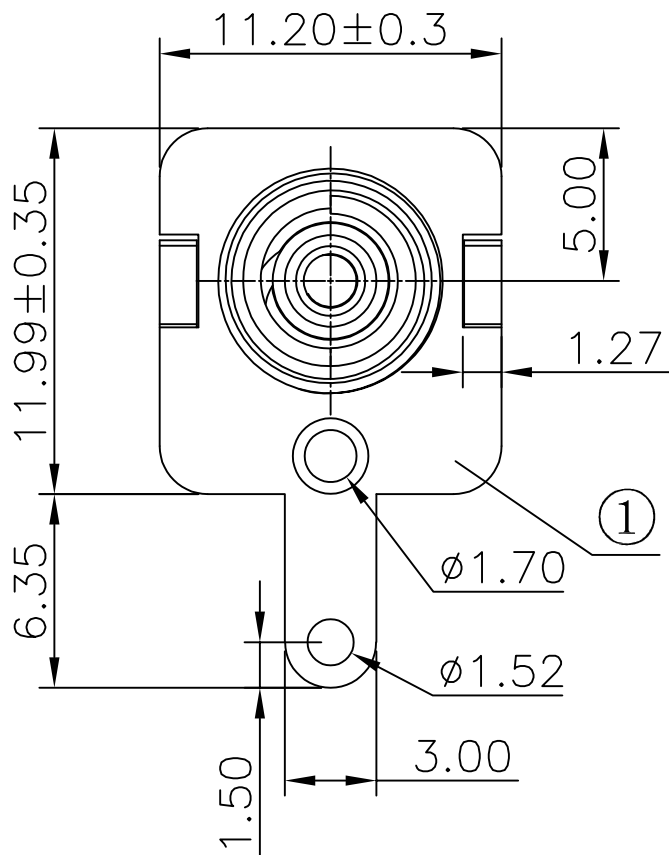




REV.	ECN NO.	REVISED	DATE



工程部  
2023-10-23  
H. WANG

UNLESS OTHERWISE SPECIFIED TOLERANCES		<b>MYOUNG 美用</b> <a href="http://www.meiyangdz.com">www.meiyangdz.com</a>	
DECIMALS: X :±0.30 X.X :±0.25 X.XX :±0.20 X.XXX :±0.10	ANGLES: X :±1° X.X :±0.5°	DSND YangFeng	DATE 2023-10-23
WEIGHT:		CHKD WangHeng	DATE 2023-10-23
		APVD XueShunyong	DATE 2023-10-23
SHEET 1 OF 1		SCALE:	SIZE: A4
UNIT: mm		REV.: A/0	VIEW:
TITLE:		T型5号电池连接片负极	
PART NO.:		MY-AA-06	
DRAW NO.:WD-CP-0107			

NO.	PART NAME	Q'TY	MATERIAL	PLATING & COLOR
2	SPRING	1	MUSIC WIRE, φ=0.6MM	Ni-PLATING
1	TERMINAL	1	STEEL, T=0.5MM	Ni-PLATING