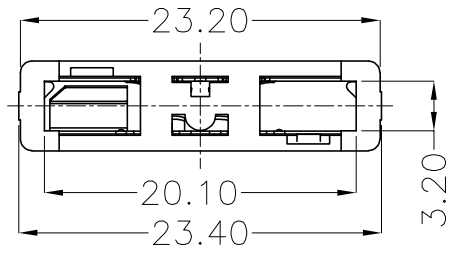
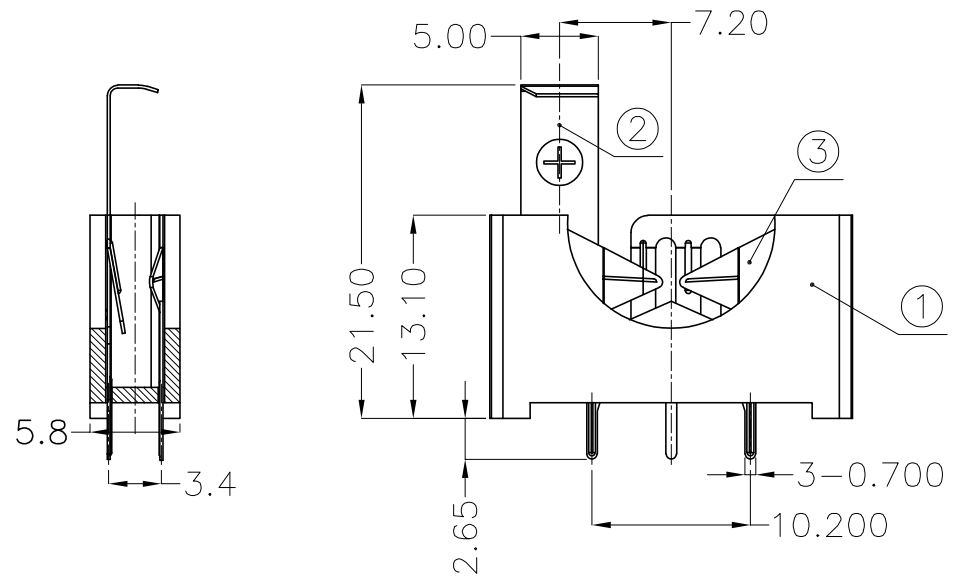




REV.	ECN NO.	REVISED	DATE



NOTE:  
 1.MATERIAL:  
 a.HOUSING:LCP  
 b.CONTACT:PHOSPHOR BRONZE  
 (SURFACE PLATING: Sn 100u"-120u")  
 SEE ORDERING INFORMATION  
 2.ELECTRIC:  
 a.CONTACT RESISTANCE: 50 MILLIOHMS MAX  
 b.INSULATION RESISTANCE: 100 MEGA OHMS MIN  
 c.DIELECTNIC VOLTAGE: 500V AC ONE SEC LEVEL  
 d.OPERATING TEMPERATURE: -25°C~ +85°C



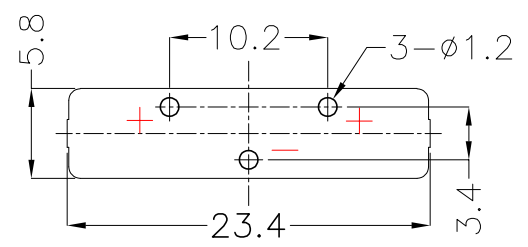
ORDERING INFORMATION  
**BS-05-A\*\*\*002**

电池座系列  
 BS-05系列  
 DIP 90° TYPE

PLATING:  
 A-Au1U"  
 J-Ni100U"~120U"  
 K-Sn100U"~120U"

MATERIAL:  
 1A-PBT BLACK  
 1B-PA66 BLACK  
 2A-PPA BROWN  
 2B-PPA BLACK  
 3A-PPS BROWN  
 3B-PPS BLACK  
 4A-LCP WHITE  
 4B-LCP BLACK

工程部  
 2021-04-28  
 LQ. HUANG



PCB Layout Diagram  
 Top View

3	TERMINAL(-)	1	PHOSPHOR BRONZE, T=0.20mm	Sn Plating
2	TERMINAL(+)	1	PHOSPHOR BRONZE, T=0.20mm	Sn Plating
1	HOUSING	1	LCP	BLACK
NO.	PART NAME	Q'TY	MATERIAL	PLATING & COLOR

UNLESS OTHERWISE SPECIFIED TOLERANCES		<b>MYOUNG 美用</b> <a href="http://www.meiyangdz.com">www.meiyangdz.com</a>	
DECIMALS: X :±0.30 X.X :±0.25 X.XX :±0.20 X.XXX :±0.10	ANGLES: X :±1° X.X :±0.5°	DSND YangFeng	DATE 2021-04-28
WEIGHT: 1.65g		CHKD ZhouRuicai	DATE 2021-04-28
SHEET 1 OF 1		APVD XueShunyong	DATE 2021-04-28
SCALE: 2:1	SIZE: A4	VIEW:	TITLE: BS-2032-5-2 Sn LCP DIP
UNIT: mm	REV.: A/1	OBJECT: MY	PART NO.: BS-05-A4BK002
			DRAW NO.:MY-CP-0260