



REV.	ECN NO.	REVISED	DATE

NOTE:

- 1.MATERIAL:
 a.HOUSING:PA66 UL94V-0
 b.CONTACT:BRASS
 (SURFACE PLATING: Sn100u"-120u")
 SEE ORDERING INFORMATION

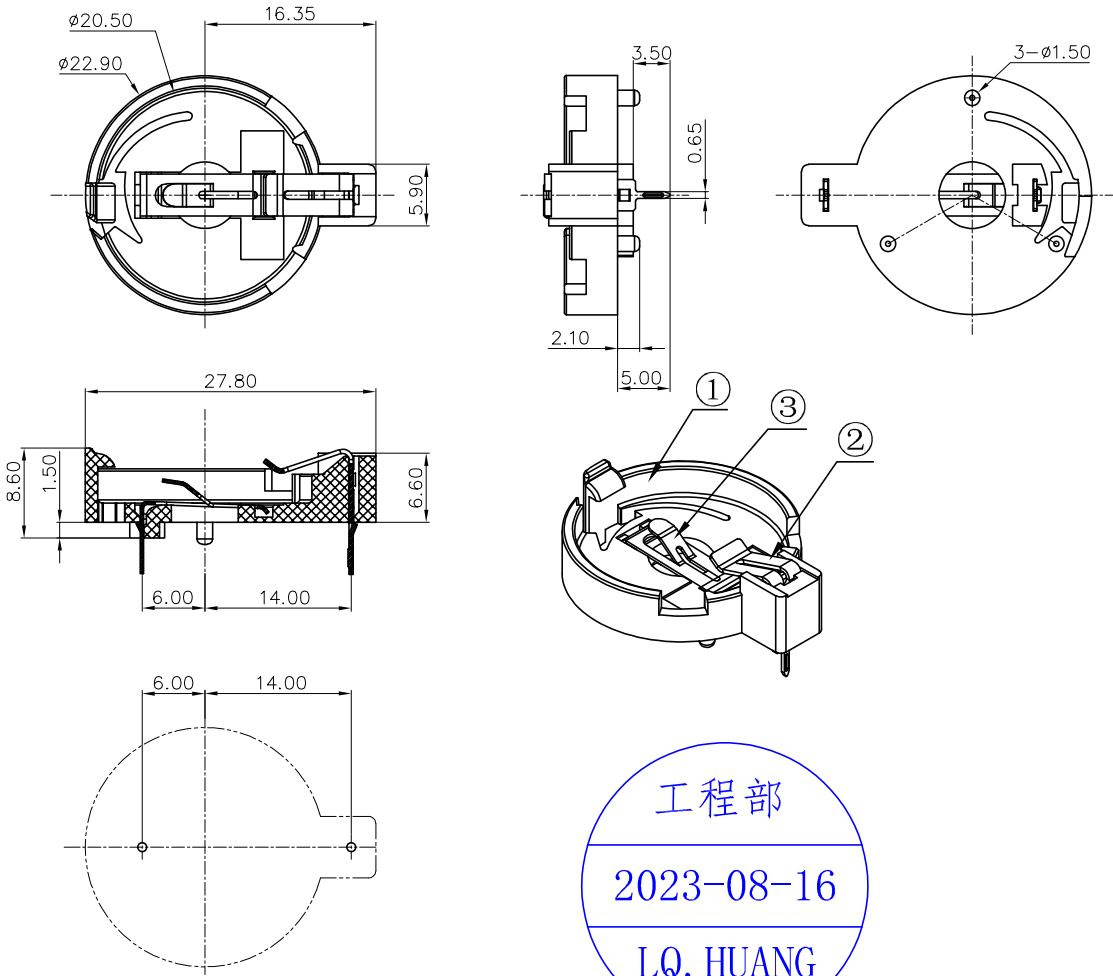
- 2.ELECTRIC:
 a.CONTACT RESISTANCE: 50 MILLIOHMS MAX
 b.INSULATION RESISTANCE: 100 MEGA OHMS MIN
 c.DIELECTNIC VOLTAGE: 500V AC ONE MINUTE
 d.OPERATING TEMPERATURE: -25° C~ +85° C

ORDERING INFORMATION
BS-04-A1BK004

电池座系列
 BS-04系列
 DIP 90° TYPE

PLATING:
 A-Au1U"
 J-Ni100U"~120U"
 K-Sn100U"~120U"

MATERIAL:
 1A-PBT BLACK
 1B-PA66 BLACK
 2A-PPA BROWN
 2B-PPA BLACK
 3A-PPS BROWN
 3B-PPS BLACK
 4A-LCP WHITE
 4B-LCP BLACK



工程部
 2023-08-16
 LQ. HUANG

PCB Layout Diagram
 Top View

3	TERMINAL(-)	1	BRASS T=0.3MM	Sn-Plating
2	TERMINAL(+)	1	BRASS T=0.4MM	Sn-Plating
1	HOUSING	1	PA66 UL94V-0	BLACK
NO.	PART NAME	Q'TY	MATERIAL	PLATING & COLOR

UNLESS OTHERWISE SPECIFIED TOLERANCES		MYOUNG 美用 www.meiyangdz.com			
DECIMALS: X :±0.30 X.X :±0.25 X.XX :±0.20 X.XXX :±0.10	ANGLES: X :±1° X.X :±0.5°	DSND	YangFeng	DATE	2023-08-16
WEIGHT:		CHKD	ZhouRuicai	DATE	2023-08-16
SHEET 1 OF 1		APVD	XueShun Yong	DATE	2023-08-16
SCALE:		SIZE: A4		VIEW:	
UNIT: mm		REV.:	A/0	OBJECT:	MY
TITLE:		BS-2032-4-1 Sn DIP			
PART NO.:		BS-04-A1BK004			
DRAW NO.:		MY-CP-0369			