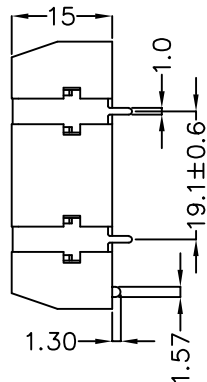
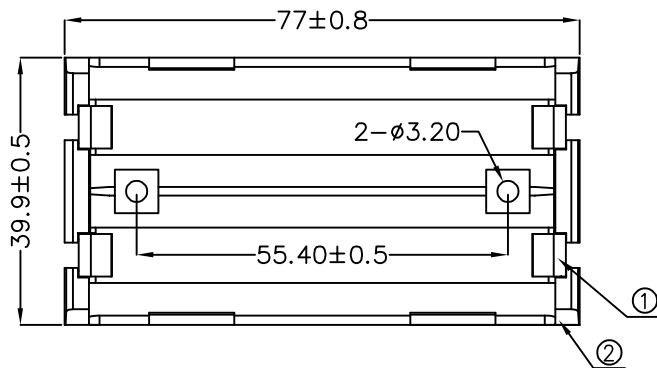




REV.	ECN NO.	REVISED	DATE



NOTE:

1.MATERIAL:

a.HOUSING:PA66 BLACK

b.CONTACT:PHOSPHOR BRONZE

(SURFACE PLATING: Ni-PLATING)

SEE ORDERING INFORMATION

2.ELECTRIC:

a.CONTACT RESISTANCE: 100 MILLIOHMS MAX

b.INSULATION RESISTANCE: 100 MEGA OHMS MIN

c.DIELECTNIC VOLTAGE: 500V AC ONE MINUTE

d.OPERATING TEMPERATURE: -25° C~ +85° C

ORDERING INFORMATION

BH-18650-A1BJ021

电池盒

电池型号

DIP 90° TYPE

PLATING:

A-Au1U"

J-Ni-PLATING

K-Sn-PLATING

MATERIAL:

1A-PBT BLACK

1B-PA66 BLACK

2A-PPA BROWN

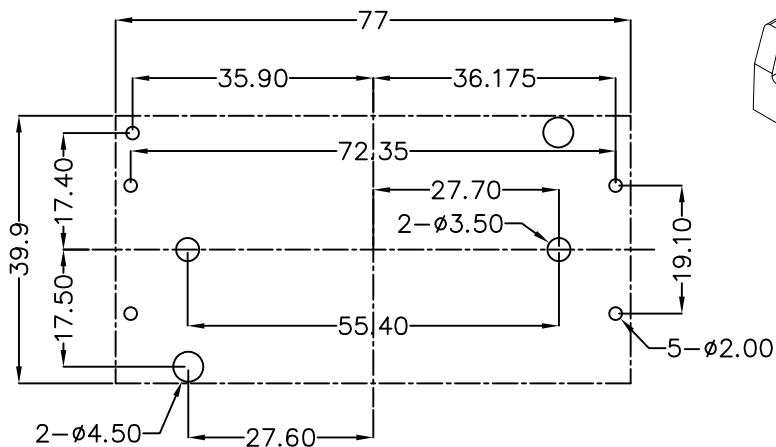
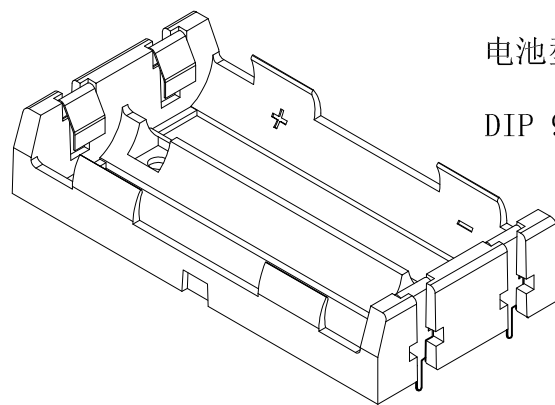
2B-PPA BLACK

3A-PPS BROWN

3B-PPS BLACK

4A-LCP WHITE

4B-LCP BLACK



PCB Layout Diagram
TOP View

UNLESS OTHERWISE SPECIFIED TOLERANCES		MYOUNG 美用 www.meiyangdz.com	
DECIMALS: X :±0.30 X.X :±0.25 X.XX :±0.20 X.XXX :±0.10	ANGLES: X :±1° X.X :±0.5°	DSND WangHeng	DATE 2023-12-18
WEIGHT:		CHKD ZhouRuicai	DATE 2023-12-18
		APVD XueShunyong	DATE 2023-12-18
SHEET 1 OF 1		SCALE:	SIZE: A4
		UNIT: mm	REV.: A/0
		VIEW:	OBJECT: MY
		TITLE: 电池盒BH-18650-2J Ni DIP PA66 带柱	
		PART NO.: BH-18650-A1BJ021	
		DRAW NO.:WD-CP-0368	

2	TERMINAL	1	SUS 304, T=0.35MM	Ni-Plating
1	HOUSING	1	PA66	BLACK
NO.	PART NAME	Q'TY	MATERIAL	PLATING & COLOR