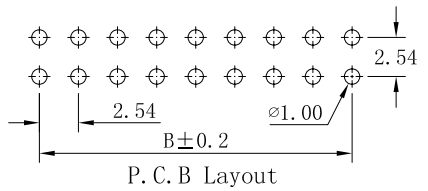
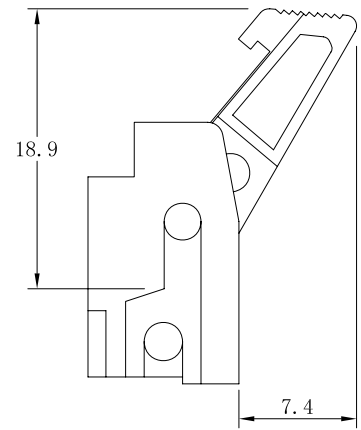
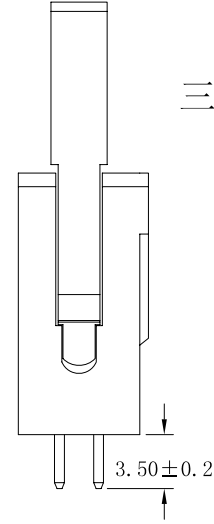
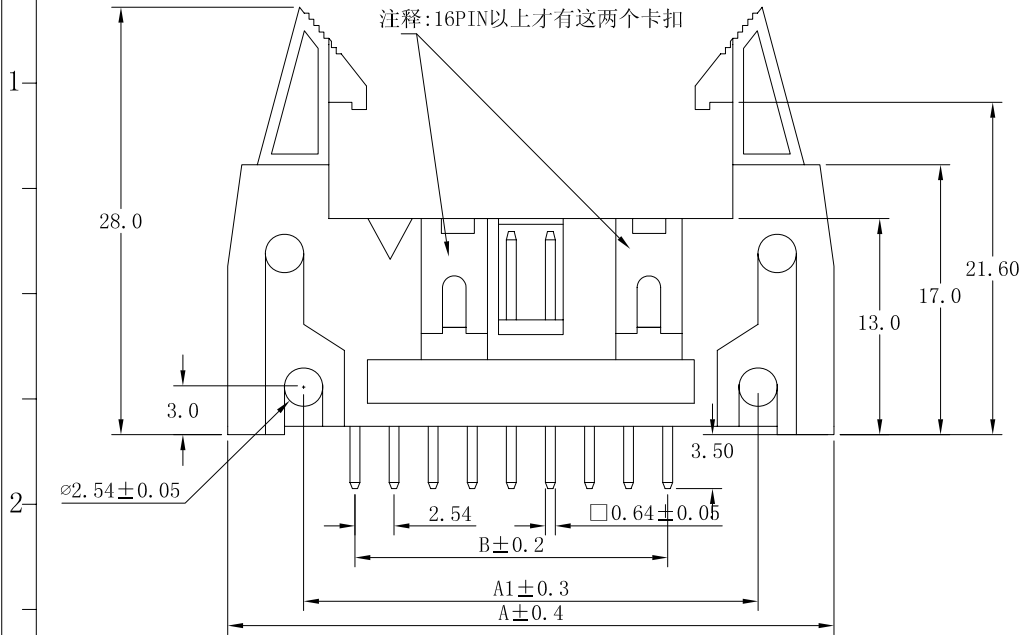


- 一. 电气性能:
- 1-1. 额定电流: 3A AC DC.
  - 1-2. 接触电阻:  $\leq 20m\Omega$
  - 1-3. 绝缘电阻:  $\geq 1000M\Omega$
  - 1-4. 耐压: 550V AC/Minute
- 二. 物理特性:
- 2-1. 操作温度:  $-55^{\circ}C \sim 105^{\circ}C$
  - 2-2. 焊接温度:  $+220^{\circ}C$ , 10s max
- 三. 材质:
- 3-1. 塑胶: PBT(Black) UL94V-0
  - 3-2. 插针: Brass/Gold plated

PIN	A	A1	B
6	26.68	16.88	5.08
8	29.22	19.42	7.62
10	31.76	21.96	10.16
12	34.30	24.50	12.70
14	36.84	27.04	15.24
16	39.38	29.58	17.78
18	41.92	32.12	20.32
20	44.46	34.66	22.86
22	47.00	37.20	25.40
24	49.54	39.74	27.94
26	52.08	42.28	30.48
28	54.62	44.82	33.02
30	57.16	47.36	35.56
32	59.70	49.90	38.10
34	62.24	52.44	40.64
36	64.78	54.98	43.18
38	67.32	57.52	45.72
40	69.86	60.06	48.26
42	72.40	62.60	50.80
44	74.94	65.14	53.34
46	77.48	67.68	55.88
48	80.02	70.22	58.42
50	82.56	72.76	60.96
52	85.10	75.30	63.50
54	87.64	77.84	66.04
56	90.18	80.38	68.58
58	92.72	82.92	71.12
60	95.26	85.46	73.66
62	97.80	88.00	76.20
64	100.34	90.54	78.74



图名: NJ2.54-2xNA	未标注公差				绘制:	单位: MM
	XX.	±0.40	XX.°	±2°		
	X.	±0.30	.XX°	±1°	审核:	视图:
	.X	±0.20				
图号: XXXXXXXXXXXXXXXXXXXX						