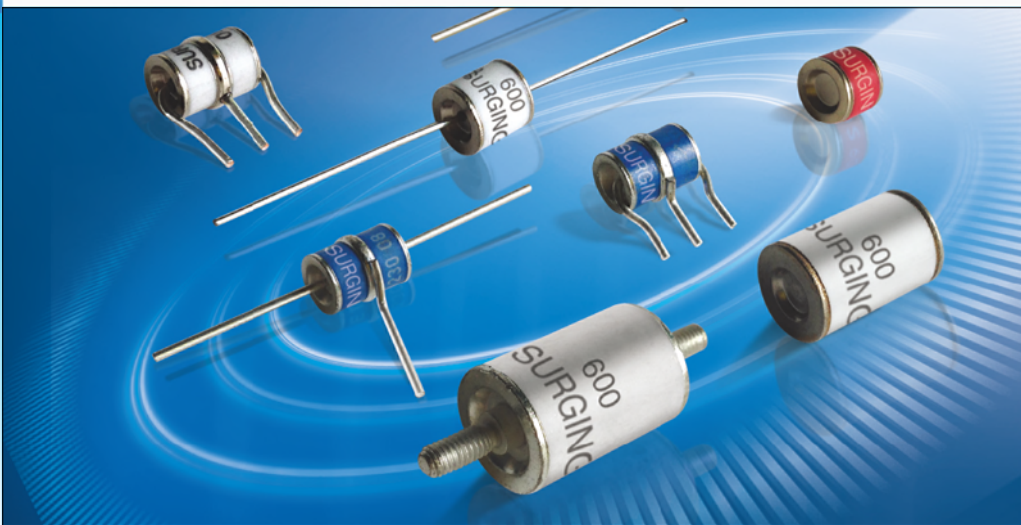


# SURGiNG

紹 鑫 實 業



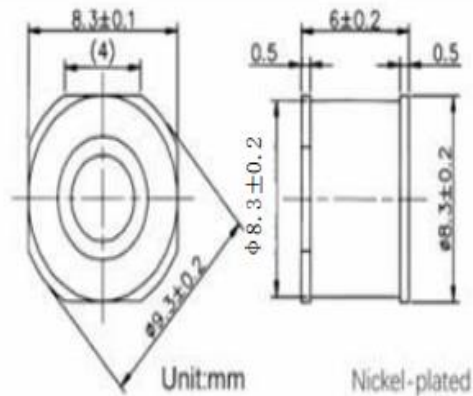
# SurgeArresters

陶瓷气体放电管

X8 Series

## Gas Discharge Tubes - X8 Series

### >>> 产品尺寸 Product size



### » 产品特点 Feature :

- ◆无放射性 Non-Radioactive
- ◆符合 ROHS Compliant
- ◆贴片设备 SMD Device
- ◆低电容 LOW Capacitance
- ◆高绝缘电阻 High insulation resistance
- ◆快速响应时间 Fast response-time

### » 产品应用 Applications:

- ◆电话/传真/调制解调器保护 Telephone/Fax/modem protection
- ◆信号线保护 Data/Single line protection
- ◆XDSL 分路器 XDSL Splitter
- ◆有线电视/同轴电缆保护 Cable TV/ Coaxial cable protection
- ◆分支交换机 Branch exchange
- ◆电子用品 Consumer electronic

### » 性能参数 Performance Parameter

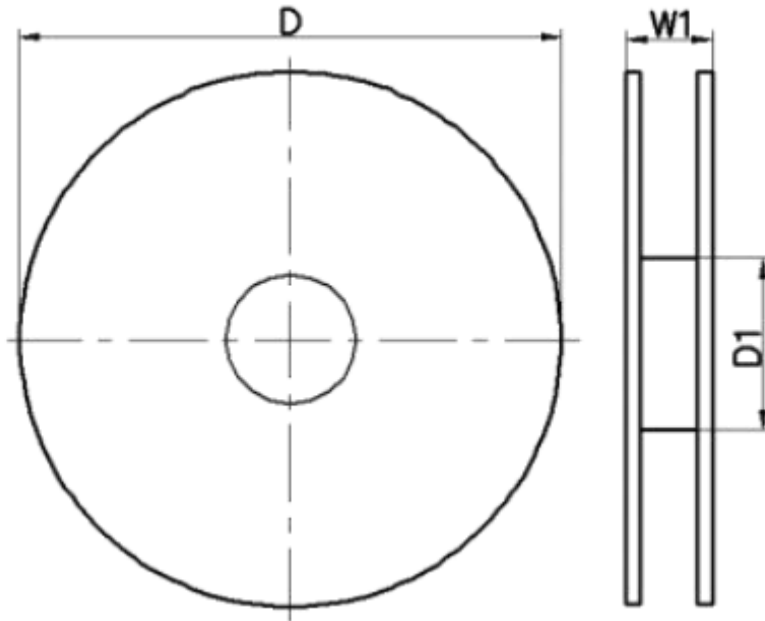
Part number	DC spark-over Voltage	Impulse spark-over Voltage	Impulse Discharge current		AC discharge current 50Hz	Electrode Capacitance	Insulation resistance	DC Holdover voltage
	100V/S	1KV// $\mu$ s	8/20 $\mu$ s $\pm$ 5 times	10/1000 $\mu$ s 5A	1S, 5 times	1MHz		
X8-75XSMDT	75V $\pm$ 20%	<600V	20KA	300times	20A	<1.5pr	>1GQ	52V
X8-90XSMDT	90V $\pm$ 20%	<600V	20KA	300times	20A	<1.5pr	>1GQ	52V
X8-150XSMDT	150V $\pm$ 20%	<600V	20KA	300times	20A	<1.5pr	>1GQ	80V
X8-230XSMDT	230V $\pm$ 20%	<700V	20KA	300times	20A	<1.5pr	>1GQ	135 V
X8-250XSMDT	250V $\pm$ 20%	<700V	20KA	300times	20A	<1.5pr	>1GQ	135 V
X8-350XSMDT	350V $\pm$ 20%	<800V	20KA	300times	20A	<1.5pr	>1GQ	150 V
X8-470XSMDT	470V $\pm$ 20%	<1000V	20KA	300 times	20A	<1.5pr	>1GQ	150V
X8-600XSMDT	600V $\pm$ 20%	<1200V	20KA	300times	20A	<1.5pr	>1GQ	150 V
X8-800XSMDT	800V $\pm$ 20%	<1400V	10KA	300times	10A	<1.5pr	>1GQ	150V

Notes:

1. Insulation resistance measure at:  
DC 50V for the X8-75XSMDT X8-90XSMDT and X8-150XSMDT DC 200V for other.
2. Terms in accordance with ITU-T K. 12 and GB/T 9043-2008
3. At delivery AQL 0.65 level H DIN ISO 2859

Gas Discharge Tubes - X8 Series

D (mm)	D1 (mm)	W1 (mm)	QTY: 600PCS
330	10	24	



»包装(Packageandquantity)

包装类型 Outline	卷筒直径(毫米) ReelDiameters(mm)	数量(盒) QTY(PCS)PerBox	数量(外箱) QTY(PCS)PerCarton	外箱尺寸(毫米) CartonSize(mm)		
				L	W	H
编带 Taping	330	600	6000	345±2.00	355±2.00	225±2.00

»料号( Part Numbering )

**X8 - 90X SMDT**

**Series:**  
X8系列:  $\phi$ 8.3\*8.3\*6  
S5系列:  $\phi$ 5\*5

**DCLineVoltage:**  
90X=90V  
230X=230V

**Package:**  
SMD=Cylinder No Lead  
SMDT=2-SMD Cylinder Square End