

ESPC3-12

—2.4GHz Wi-Fi and BLE5.0 Combo Module

Version: 1.0

Date: Feb.20, 2023

Product Specification

Features

■ General

- Chip: ESP32-C3
- Module Size: 16mm*24mm*3mm
- 32Mbit embedded flash (default)
- 384KB ROM
- 400KB SRAM

■ Wi-Fi Features

- IEEE 802.11 b/g/n-compliant
- Center frequency range of operating channel: 2412 ~ 2484 MHz
- Supports 20 MHz, 40 MHz bandwidth in 2.4 GHz band
- 1T1R mode with data rate up to 150 Mbps
- TX/RX A-MPDU, TX/RX A-MSDU
- Immediate Block ACK
- Fragmentation and defragmentation
- Automatic Beacon monitoring (hardware TSF)
- 4 X virtual Wi-Fi interfaces
- Simultaneous support for Infrastructure BSS in Station mode, Soft-AP mode, Station + Soft-AP mode, and promiscuous mode

■ Bluetooth Features

- Bluetooth LE: Bluetooth 5, Bluetooth mesh
- Speed: 125 Kbps, 500 Kbps, 1 Mbps, 2 Mbps
- Advertising extensions
- Multiple advertisement sets
- Channel selection algorithm #2

■ Peripheral Interfaces

- GPIO * 15;
- UART * 2;
- IIC ;

- SPI;
- EN ;
- PWM x 6 ;
- ADC;

■ Working Temperature: -40°C-85°C

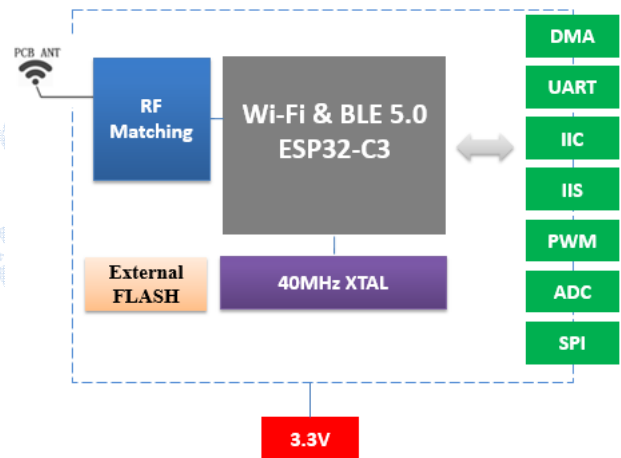
Applications

- Serial transparent transmission;
- Wi-Fi prober;
- Smart power plug/Smart LED light;
- Mesh networks;
- Sensor networks;
- Over-the-top (OTT) devices;
- Wireless location system beacon;
- Industrial field bus;

Module Type

| Name | Flash | Antenna |
|-------------|---------|---------|
| ESPC3-12-N2 | 16M bit | PCB |
| ESPC3-12-N4 | 32M bit | PCB |
| ESPC3-12-N8 | 64M bit | PCB |

Module Structure



Update Record

| Date | Version | Update |
|------------|---------|----------------|
| 2023-02-20 | V1.0 | First released |

Table of Contents

| | |
|---|----|
| 1. Introduction | 1 |
| 2. Interface Definition | 3 |
| 3. Size and Layout..... | 5 |
| 4. Electronica Characteristics..... | 6 |
| 5. Power Consumption | 7 |
| 6. Wi-Fi RF Characteristics..... | 7 |
| 7. Bluetooth LE Radio..... | 9 |
| 8. Recommended Sold Temperature Curve | 11 |
| 9. Minimum User System..... | 11 |
| 10. Recommended Layout Design | 12 |
| 11. Peripheral Design Suggestion | 13 |
| 12. Product Handling..... | 14 |
| 13. Packing Instruction..... | 14 |
| 14. Module schematic | 15 |

1. Introduction

ESPC3-12 Wi-Fi and BLE coexistence Module is a highly integrated single-chip low power 802.11bgn Wireless LAN (WLAN) network controller. It combines a RISC CPU, WLAN MAC, a 1T1R capable WLAN baseband, RF, and Bluetooth in a single chip. It also provides a bunch of configurable GPIO, which are configured as digital peripherals for different applications and control usage.

ESPC3-12 Module use ESP32-C3 as Wi-Fi and BLE coexistence SOC chip.

ESPC3-12 Module integrates internal memories for complete Wi-Fi protocol functions. The embedded memory configuration also provides convenient application developments.

ESPC3-12 module supports the standard IEEE802.11 b/g/n/e/i protocol and the complete TCP/IP protocol stack. User can use it to add the Wi-Fi function for the installed devices, and also can be viewed as an independent network controller. Anyway, ESPC3-12 Wi-Fi module provides many probabilities with the best price.

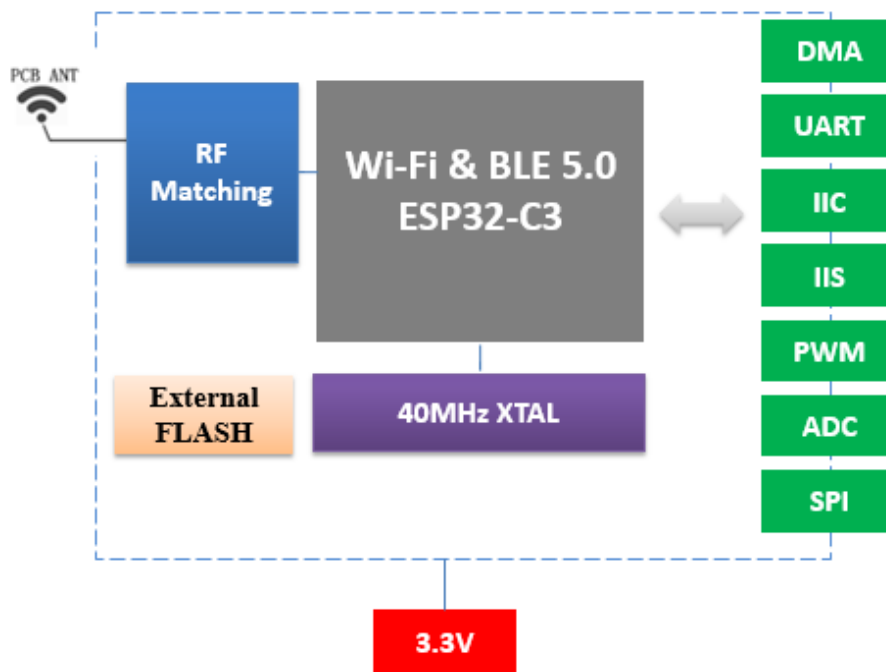


Fig.1.1 ESPC3-12 Module Structure

Technical parameters for ESPC3-12 are listed as follows.

Table.1.1 ESPC3-12 Parameters

| Type | Item | Parameter |
|----------|-------------------------|-----------------------------------|
| Wi-Fi | Frequency | 2.4G~2.5G (2412M~2484M) |
| | Transmit power | 802.11b: +20.5 dBm |
| | | 802.11g: +19 dBm |
| | | 802.11n: +17.5 dBm |
| | Receiver sensitivity | 802.11b: -89 dBm (11Mbps) |
| | | 802.11g: -77 dBm (54Mbps) |
| | | 802.11n: -74 dBm (MCS7) |
| | EVM | -25dB @802.11b,11Mbps @21dBm |
| | | -28dB @802.11n,54Mbps @19dBm |
| | | -30dB @802.11n,HT40,MCS7 @18.5dBm |
| Antenna | PCB antenna / U.FL | |
| BLE | RF power control range | -27~18dBm |
| Hardware | CPU | 32-bit RISC CPU |
| | Interface | UART/SDIO/SPI/I2C/GPIO/PWM |
| | Working voltage | 3.0V ~ 3.6V |
| | Working temperature | -40°C ~ 85°C |
| | Environment temperature | -40°C ~ 105°C |
| | Shape | 16mm x 24mm x 3mm |
| Software | Wi-Fi working mode | STA, Soft-AP and sniffer modes |
| | Security mode | WPS / WEP / WPA / WPA2 / WPA3 |
| | Update firmware | UART Download |
| | Software develop | SDK |
| | Network protocol | IPv4, TCP/UDP/HTTP/FTP/MQTT |

2. Interface Definition

ESPC3-12 Wi-Fi & BLE module interface definition is shown as below.

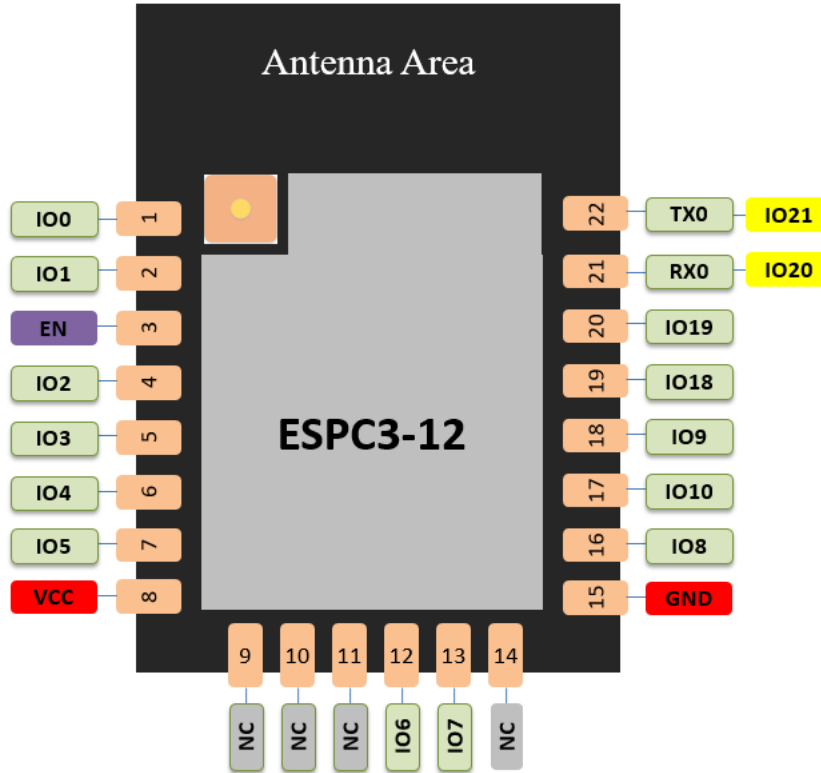


Fig.2.1 ESPC3-12 Pins Definition

Working modes and pins function is shown in Table 2.1.

Table.2.1 Working Mode

| Mode | IO9 Voltage Level |
|--------------------|-------------------|
| UART Download Mode | LOW |
| Flash Boot Mode | HIGH (Default) |

Table.2.2 Pins Function Definition

| Num. | Pin Name | Type | Function |
|------|----------|------|--|
| 1 | IO0 | I/O | GPIO0,ADC1_CH1,XTAL_32K_P |
| 2 | IO1 | I/O | GPIO1,ADC1_CH1, XTAL_32K_N |
| 3 | EN | I/O | Chip enable; Internal Pull-up. HIGH: enable the chip |
| 4 | IO2 | I/O | GPIO2, ADC1_CH2, FSPIQ, Internal Pull-up |

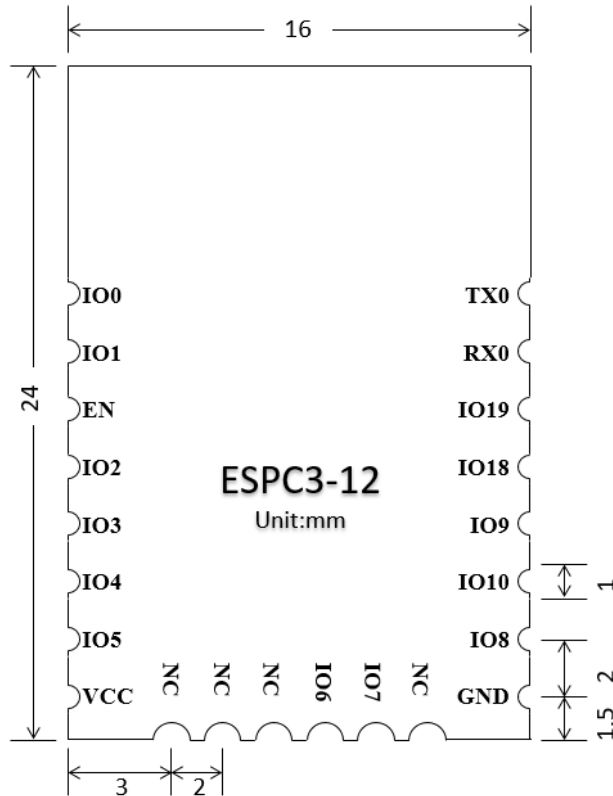
| | | | |
|------|------|-----|--|
| 5 | IO3 | I/O | GPIO3, ADC1_CH3 |
| 6 | IO4 | I/O | GPIO4, ADC1_CH4, MTMS, FSPIHD |
| 7 | IO5 | I/O | GPIO5, ADC2_CH0, MTDI, FSPIWP |
| 8 | VCC | P | Power, 3.3V/500mA Recommended |
| 9~11 | NC | - | Not Connected |
| 12 | IO6 | I/O | GPIO6,FSPICLK,MTCK |
| 13 | IO7 | I/O | GPIO7,FSPID,MTDO |
| 14 | NC | - | Not Connected |
| 15 | GND | P | Power, 3.3V/500mA Recommended |
| 16 | IO8 | I/O | GPIO8 |
| 17 | IO10 | I/O | GPIO10, FSPICS0. When the value of eFuse bit EFUSE_JTAG_SEL_ENABLE is 0, JTAG signals cannot be used. 1, if IO10 is 0, JTAG signals come from chip pins; if IO10 is 1, JTAG signals cannot be used |
| 18 | IO9 | I/O | GPIO9 |
| 19 | IO18 | I/O | GPIO18,USB-D- |
| 20 | IO19 | I/O | GPIO19,USB-D+ |
| 21 | RX0 | I/O | GPIO20,U0RXD |
| 22 | TX0 | I/O | GPIO21,U0TXD |

3. Size and Layout

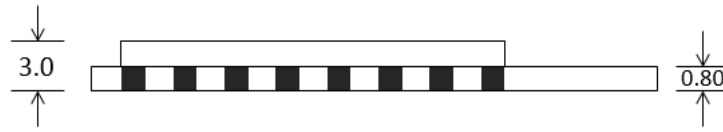
Size for ESPC3-12 can be shown as follows.



Fig.3.1 Shape for ESPC3-12



(a) Vertical View



(b) Side View

Fig.3.2 Size for ESPC3-12

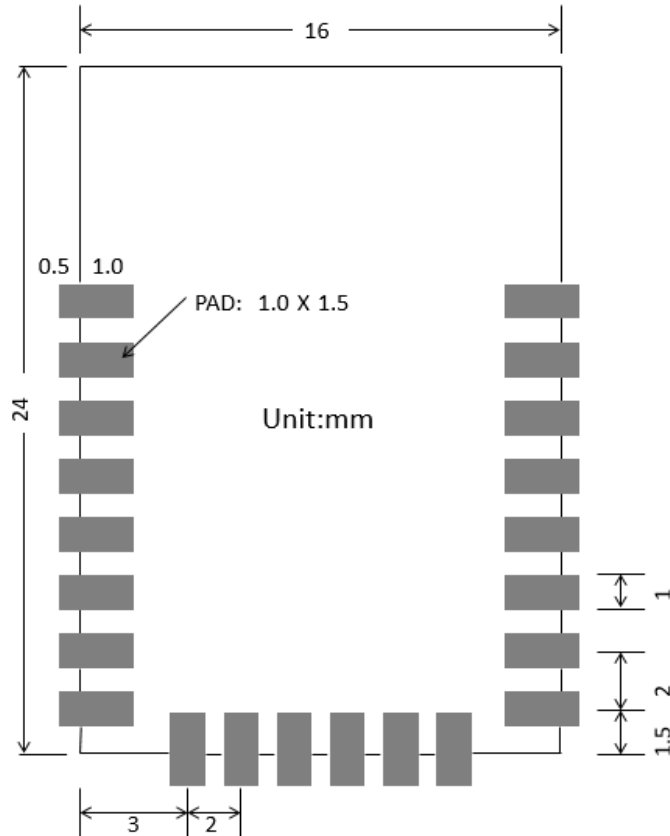


Fig. 3.3 PCB Layout for ESPC3-12

4. Electronica Characteristics

Table.4.1 Electronica Characteristics

| Parameter | Condition | Min | Classical | Max | Unit | |
|--|------------------------|-----|---------------------|-----|---------------------|---|
| Store Temperature | - | -40 | Normal | 150 | °C | |
| Sold Temperature | IPC/JEDEC J-STD-020 | - | - | 260 | °C | |
| Working Voltage | - | 3.0 | 3.3 | 3.6 | V | |
| I/O | V_{IL} | - | -0.3 | - | $0.25 \cdot V_{DD}$ | V |
| | V_{IH} | - | $0.75 \cdot V_{DD}$ | - | $V_{DD} + 0.3$ | |
| | V_{OL} | - | - | - | $0.1 \cdot V_{DD}$ | |
| | V_{OH} | - | $0.8 \cdot V_{DD}$ | - | - | |
| Electrostatic Release Quantity (Human model) | $T_{AMB} = 25^\circ C$ | - | - | 2 | KV | |

| | | | | | |
|--|-----------|---|---|-----|----|
| Electrostatic Release Quantity (Machine model) | TAMB=25°C | - | - | 0.5 | KV |
|--|-----------|---|---|-----|----|

5. Power Consumption

Table.5.1 Power Consumption

| Parameter | Min | Classical | Max | Unit |
|--|-----|-----------|-----|------|
| RX 11b /g/n, HT20 | - | - | 82 | mA |
| RX 11n, HT40 | - | - | 84 | mA |
| TX 11b, 1Mbps @21dBm | - | - | 350 | mA |
| TX 11g, 54Mbps @19dBm | - | - | 295 | mA |
| TX 11n, HT20, MCS7, @18.5dBm | - | - | 290 | mA |
| TX 11n, HT40, MCS7, @18.5dBm | - | - | 290 | mA |
| Modem-sleep, CPU is powered on @80MHz | - | 15 | - | mA |
| Light-sleep | - | 130 | - | uA |
| Deep-sleep, RTC timer + RTC memory | - | 5 | - | uA |
| Power off, CHIP_PU is set to low level | - | 1 | 0 | uA |

The peak current consumption of ESPC3-12 exceed 400mA when the module start work (RF calibration work consumes maximum current). Therefore, the recommended power supply is no less than 500mA.

Note:

1. Active Mode: CPU and RF are all turned on.
2. Modem-sleep Mode: CPU is turned on. RF and baseband are turned off, but the communication is still connected.
3. Light-sleep Mode: CPU is turned off. RTC/external interrupt/MAC can wake up the chip. The communication is still connected.
4. Deep-sleep Mode: Only RTC is turned on.

6. Wi-Fi RF Characteristics

The data in the following table is gotten when voltage is 3.3V in the indoor temperature environment.

Table.6.1 Wi-Fi TX Characteristics

| Parameter | Min | Classical | Max | Unit |
|------------------------------|------|-----------|------|------|
| Input frequency | 2412 | - | 2484 | MHz |
| 802.11b @1Mbps,11Mbps | - | 20.5 | - | dBm |
| 802.11g @6Mbps | - | 20.0 | - | dBm |
| 802.11g @54Mbps | - | 18.0 | - | dBm |
| 802.11n,HT20 MCS0 | - | 19.0 | - | dBm |
| 802.11n,HT40 MCS0 | - | 18.5 | - | dBm |
| EVM @11b,1Mbps@20dBm | - | -24.5 | - | dBm |
| EVM @11g,54Mbps@19dBm | - | -28 | - | dBm |
| EVM @11n,MCS7@18.5dBm | - | -30 | - | dBm |
| EVM @11n, HT40, MCS7@18.5dBm | - | -30.5 | - | dBm |

Table.6.2 Wi-Fi RX Sensitivity

| Parameter | Min | Classical | Max | Unit |
|-------------------|-----|-----------|-----|------|
| 802.11b,1Mbps | - | -98 | - | dBm |
| 802.11b,11Mbps | - | -88 | - | dBm |
| 802.11g,6Mbps | - | -92 | - | dBm |
| 802.11g,54Mbps | - | -76 | - | dBm |
| 802.11n,HT20,MCS0 | - | -92 | - | dBm |
| 802.11n,HT20,MCS3 | - | -85 | - | dBm |
| 802.11n,HT20,MCS7 | - | -74 | - | dBm |
| 802.11n,HT40,MCS0 | - | -90 | - | dBm |
| 802.11n,HT40,MCS3 | - | -81 | - | dBm |
| 802.11n,HT40,MCS7 | - | -71 | - | dBm |

Table.6.3 Wi-Fi RX Characteristics

| Parameter | Min | Classical | Max | Unit |
|--------------------------|-----|-----------|-----|------|
| MAX RX Level @11b,1Mbps | - | 5 | - | dBm |
| MAX RX Level @11b,11Mbps | - | 5 | - | dBm |
| MAX RX Level @11g,6Mbps | - | 5 | - | dBm |
| MAX RX Level @11g,54Mbps | - | 0 | - | dBm |

| | | | | |
|---|---|----|---|-----|
| MAX RX Level @11n,HT20,MCS0 | - | 5 | - | dBm |
| MAX RX Level @11n,HT20,MCS7 | - | 0 | - | dBm |
| MAX RX Level @11n,HT40,MCS0 | - | 5 | - | dBm |
| MAX RX Level @11n,HT40,MCS7 | - | 0 | - | dBm |
| RX Adjacent Channel Rejection@11b,1Mbps | - | 35 | - | dB |
| RX Adjacent Channel Rejection@11b,11Mbps | - | 35 | - | dB |
| RX Adjacent Channel Rejection@11g,6Mbps | - | 31 | - | dB |
| RX Adjacent Channel Rejection@11g,54Mbps | - | 14 | - | dB |
| RX Adjacent Channel Rejection@11n,HT20,MCS0 | - | 31 | - | dB |
| RX Adjacent Channel Rejection@11n,HT20,MCS7 | - | 13 | - | dB |
| RX Adjacent Channel Rejection@11n,HT40,MCS0 | - | 19 | - | dB |

7. Bluetooth LE Radio

Table.7.1 TX Transmitter General Characteristics

| Parameter | Min | Classical | Max | Unit |
|--|-----|-----------|-----|------|
| Gain control power | - | 3 | - | dBm |
| RF power control range | -27 | - | 18 | dBm |
| In-band emissions @F-F0±3MHz, LE 1M | - | -41.95 | - | dBm |
| In-band emissions @F-F0±>3MHz, LE 1M | - | -44.48 | - | dBm |
| Modulation characteristics @ Δf _{avg} , LE 1M | - | 245 | - | kHz |
| Modulation characteristics @Δf _{2max} , LE 1M | - | 208 | - | kHz |
| Carrier frequency offset, LE 1M | - | -9 | - | kHz |
| In-band emissions @F-F0±5MHz, LE 2M | - | -45.26 | - | dBm |
| In-band emissions @F-F0±>5MHz, LE 2M | - | -47 | - | dBm |
| Modulation characteristics @ Δf _{avg} , LE 2M | - | 497 | - | kHz |
| Modulation characteristics @Δf _{2max} , LE 2M | - | 398 | - | kHz |
| Carrier frequency offset, LE 2M | - | -9 | - | kHz |
| In-band emissions @F-F0±3MHz, LE 500K | - | -41.3 | - | dBm |
| In-band emissions @F-F0±>3MHz, LE 500K | - | -42.8 | - | dBm |
| Modulation characteristics @ Δf _{avg} , LE 500K | - | 220 | - | kHz |

| | | | | |
|--|---|-------|---|-----|
| Modulation characteristics @ Δf_{2max} , LE 500K | - | 205 | - | kHz |
| Carrier frequency offset, LE 500K | - | -11.9 | - | kHz |
| Maximum received signal @30.8% PER | - | 10 | - | dBm |

Table.7.2 RX Transmitter General Characteristics

| Parameter | | Min | Classical | Max | Unit |
|---|---|-----|-----------|-----|------|
| 1 M | Sensitivity @30.8% PER | - | -96 | - | dBm |
| | Maximum received signal @30.8% PER | - | 10 | - | dBm |
| | Co-channel C/I | - | 8 | - | dB |
| | Image frequency | - | -29 | - | dB |
| | Adjacent channel to image frequency @ $F = F_{image}+1$ | - | -38 | - | dB |
| | Adjacent channel to image frequency @ $F = F_{image}-1$ | - | -34 | - | dB |
| | Adjacent channel selectivity @ $F = F_0+1$ | - | -4 | - | dB |
| | Adjacent channel selectivity @ $F = F_0-1$ | - | -3 | - | dB |
| | Adjacent channel selectivity @ $F \geq F_0+3$ | - | - | - | dB |
| | Adjacent channel selectivity @ $F \leq F_0-3$ | - | -39 | - | dB |
| 2 M | Sensitivity @30.8% PER | - | -93 | - | dBm |
| | Maximum received signal @30.8% PER | - | 0 | - | dBm |
| | Co-channel C/I | - | 10 | - | dB |
| | Image frequency | - | -27 | - | dB |
| | Adjacent channel to image frequency @ $F = F_{image}+2$ | - | -39 | - | dB |
| | Adjacent channel to image frequency @ $F = F_{image}-2$ | - | - | - | dB |
| | Adjacent channel selectivity @ $F = F_0+2$ | - | -7 | - | dB |
| | Adjacent channel selectivity @ $F = F_0-2$ | - | -7 | - | dB |
| Adjacent channel selectivity @ $F \geq F_0+6$ | - | -39 | - | dB | |
| Adjacent channel selectivity @ $F \leq F_0-6$ | - | -39 | - | dB | |
| 1 2 5 K | Sensitivity @30.8% PER | - | -104 | - | dBm |
| | Maximum received signal @30.8% PER | - | 10 | - | dBm |
| | Co-channel C/I | - | 2 | - | dB |
| | Image frequency | - | -34 | - | dB |
| | Adjacent channel to image frequency @ $F = F_{image}+1$ | - | -44 | - | dB |

| | | | | |
|--|---|-----|---|----|
| Adjacent channel to image frequency @ $F = F_{\text{image}} - 1$ | - | -37 | - | dB |
| Adjacent channel selectivity @ $F = F_0 + 2$ | - | -40 | - | dB |
| Adjacent channel selectivity @ $F = F_0 - 2$ | - | -42 | - | dB |
| Adjacent channel selectivity @ $F \geq F_0 + 3$ | - | - | - | dB |
| Adjacent channel selectivity @ $F \leq F_0 - 3$ | - | -46 | - | dB |

8. Recommended Solder Temperature Curve

- (1) Reflow Times ≤ 2 times (Max.)
- (2) Max Rising Slope: $3^\circ\text{C}/\text{sec}$
- (3) Max Falling Slope: $-3^\circ\text{C}/\text{sec}$
- (4) Over 217°C Time: 60~120sec
- (5) Peak Temp: $240^\circ\text{C} \sim 250^\circ\text{C}$

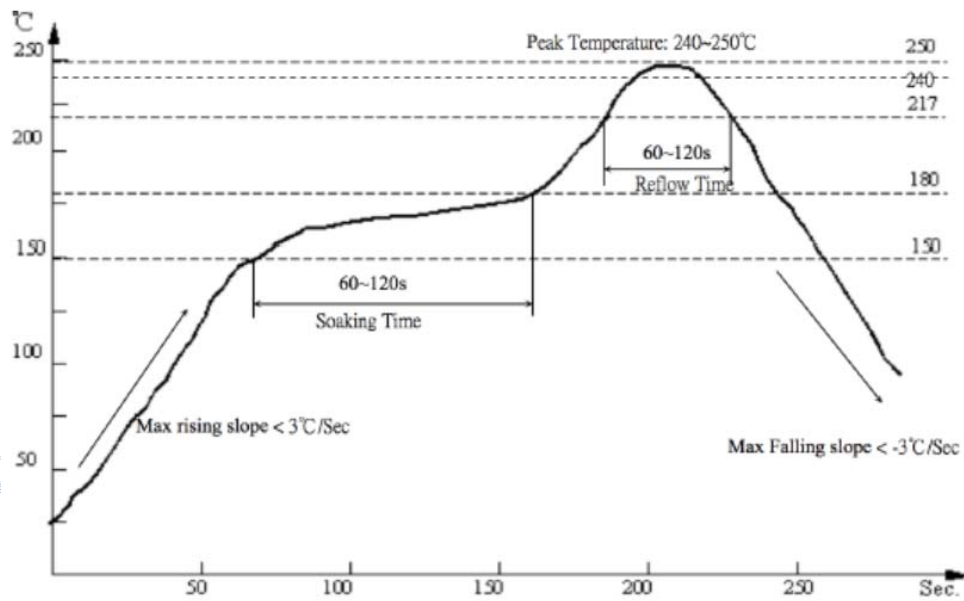


Fig.8.1 Recommended Reflow Profile

9. Minimum User System

This module can work just at 3.3V voltage condition:

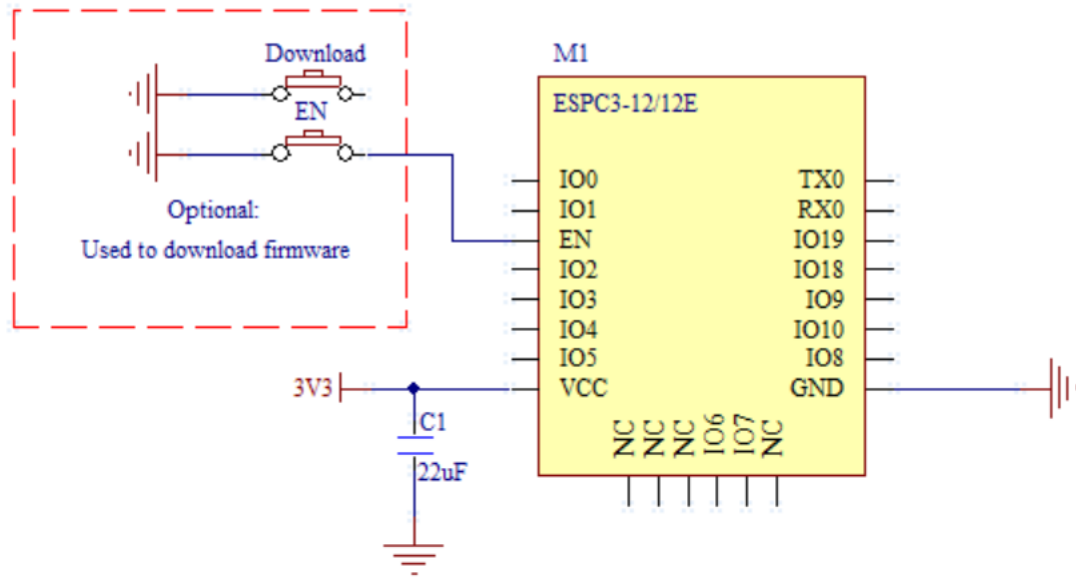


Fig.9.1 Minimum System

Note:

- (1) The working voltage for module is DC 3.3V;
- (2) The max current from IO of this module is 40mA;
- (3) Wi-Fi module is at download mode: IO9 is LOW level, then module reset to power;
- (4) Wi-Fi module is connected to RXD of the other MCU, and TXD is connected to RXD of the other MCU.

10. Recommended Layout Design

ESPC3-12 module can be sold on PCB board directly. For the high RF performance for the device, please notice the placement of the module. There are three ways to use the module for Wi-Fi Module with PCB antenna.

Solution 1: optical solution. The Wi-Fi module is placed on the side of the board, and the antennas are all exposed, and there is no metal material around the antenna, including wires, metal casings, weight plates, and the like.

Solution 2: sub-optical solution. The Wi-Fi module is placed on the side of the board, and the antenna below is hollowed out. There is a gap of not less than 5 mm reserved with the PCB, and there is no metal material around the antenna, including wires, metal casings, weight plates, and the like.

Solution 3: The Wi-Fi module is placed on the side of the board, and the PCB area under the antenna is empty, and copper cannot be laid.

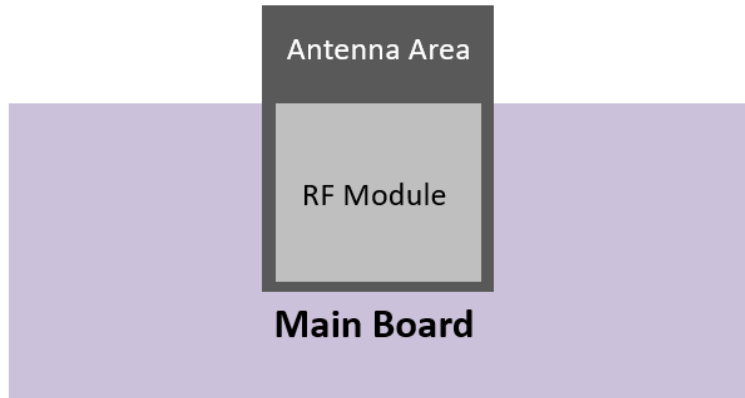


Fig.10.1 Solution 1

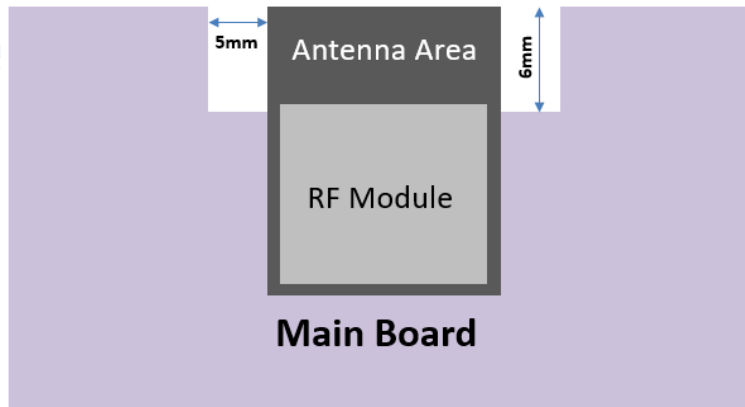


Fig.10.2 Solution 2

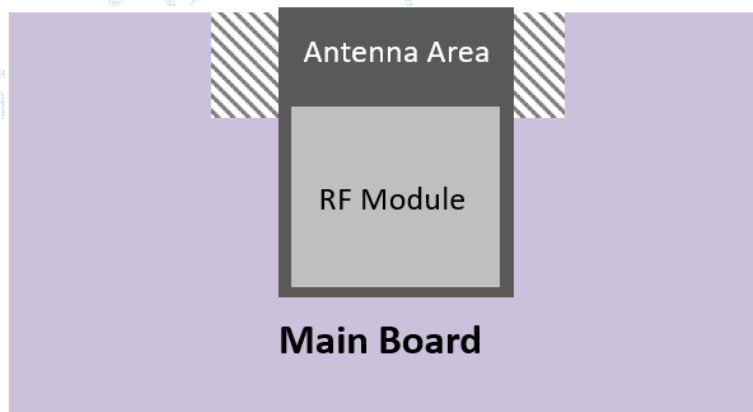


Fig.10.3 Solution 3

11. Peripheral Design Suggestion

Wi-Fi module is already integrated into high-speed GPIO and Peripheral interface, which may be generated the switch noise. If there is a high request for the power consumption and EMI characteristics, it is suggested to connect a serial 10~100 ohm resistance, which can suppress overshoot when switching power supply, and can smooth signal. At the same time, it also can prevent electrostatic discharge (ESD).

12. Product Handling

12.1 Storage Conditions

The products sealed in moisture barrier bags (MBB) should be stored in a non-condensing atmospheric environment of $< 40\text{ }^{\circ}\text{C}$ and 90%RH. The module is rated at the moisture sensitivity level (MSL) of 3. After unpacking, the module must be soldered within 168 hours with the factory conditions $25\pm 5\text{ }^{\circ}\text{C}$ and 60%RH. If the above conditions are not met, the module needs to be baked.

12.2 Electrostatic Discharge (ESD)

- Human body model (HBM): $\pm 2000\text{ V}$
- Charged-device model (CDM): $\pm 500\text{ V}$

13. Packing Instruction

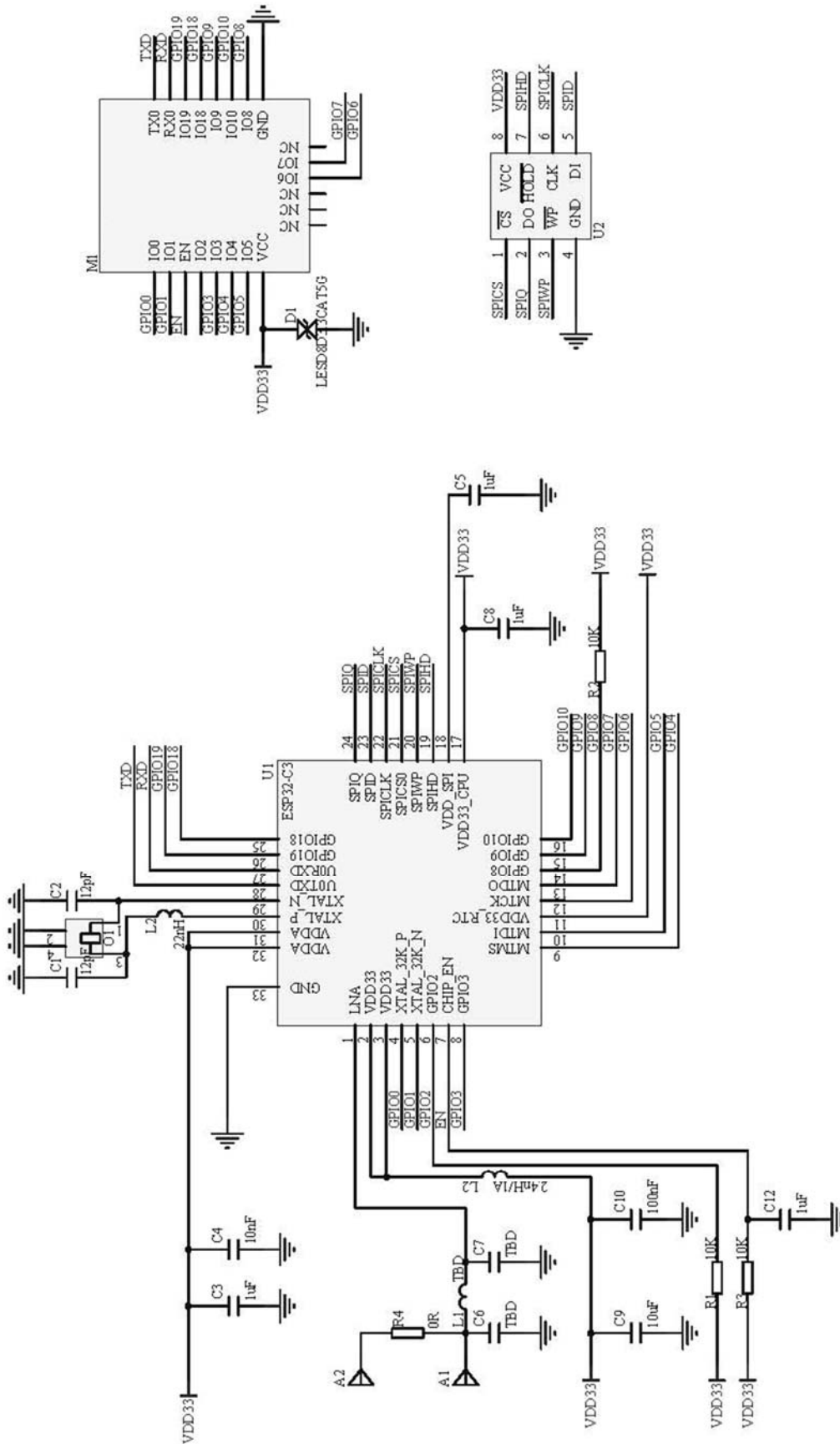
The product is packed in a tray, as shown in the following figure.

The size of the single box is: 340 x 360 x 60mm, and 800 pieces module is in the box. And the outer box size is 355 x 375 x 325mm, including 5 single box which include 4000 pieces module.



Fig.13.1 Module Package

14. Module schematic



FCC WARNING

FCC Caution: Any changes or modifications not expressly

Approved by the party responsible for compliance could void the user's authority to operate this equipment.

This device complies with Part 15 of the FCC Rules.

Operation is subject to the following two conditions: (1) This device may not cause harmful interference, and (2) this device must accept any interference received, including interference that may cause undesired operation.

This device and its antenna(s) must not be co-located or operating in conjunction with any other antenna or transmitter.

15.105 Information to the user.

(b) For a Class B digital device or peripheral, the instructions furnished the user shall include the following or similar statement, placed in a prominent location in the text of the manual:

Note: This equipment has been tested and found to comply with the limits for a Class B digital device, pursuant to part 15 of the FCC Rules. These limits are designed to provide reasonable protection against harmful interference in a residential installation. This equipment generates, uses and can radiate radio frequency energy and, if not installed and used in accordance with the instructions, may cause harmful interference to radio communications. However, there is no guarantee that interference will not occur in a particular installation. If this equipment does cause harmful interference to radio or television reception, which can be determined by turning the equipment off and on, the user is encouraged to try to correct the interference by one or more of the following measures:

- Reorient or relocate the receiving antenna.
- Increase the separation between the equipment and receiver.
- Connect the equipment into an outlet on a circuit different from that to which the receiver is connected.
- Consult the dealer or an experienced radio/TV technician for help.

This equipment complies with FCC radiation exposure limits set forth for an uncontrolled environment. This equipment should be installed and operated with minimum distance 20 cm between the radiator and your body. Radiation Exposure Statement:

This equipment complies with FCC radiation exposure limits set forth for an uncontrolled environment.

This transmitter must not be co-located or operating in conjunction with any other antenna or transmitter.

The availability of some specific channels and/or operational frequency bands are country dependent and are firmware programmed at the factory to match the intended destination.

The firmware setting is not accessible by the end user.

The final end product must be labelled in a visible area with the following: "Contains Transmitter Module **2AL3B-ESPC3-12**"