

Specifications:

规格:

- 1.Voltage rating:250VAC/DC
额定电压: 250V AC/DC
- 2.Current rating:3A(T) / 5A(C) AC/DC
额定电流: 3A(T) / 5A(C) AC/DC
- 3.Withstanding voltage:500V AC/minute
耐受电压: ≥500V AC/分钟
- 4.Temperature range: -55°C~+105°C
温度范围: -55°C~+105°C
- 5.Insulation resistance:1000MΩMIN
绝缘电阻: ≥1000MΩ
- 6.Contact resistance:30mΩMax
接触电阻: ≥30mΩ

Material:

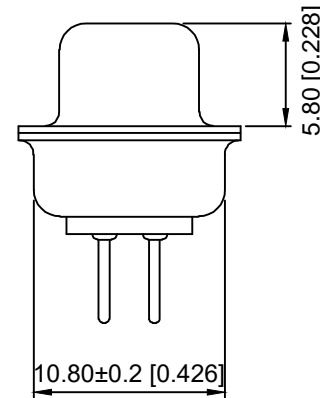
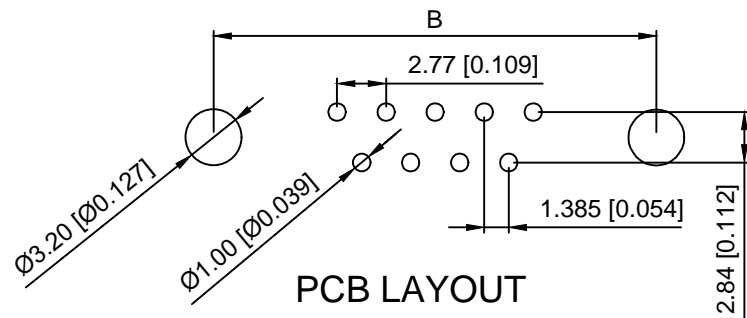
材料:

- 7.Rubber core:PBT UL94V-0
 - 8.The iron shell:SPCC Nivkel Plating/Tin Plating/Gold Plating
铁壳: SPCC,镀镍/镀锡/镀金
- B、成品不能有弯针, R角不一致等不良。

X02 XX F X X X X

① ② ③ ④ ⑤ ⑥ ⑦

- ① Series NO.
- ② Row No,Pin No.XX-09;15;25;37
- ③ Welding Board Angle :F-Female
- ④ T: Tradutional C: Car-pin
- ⑤ Planting Categoty: 1:Gold 1u ;2:Gold 2u; 3:Gold 3u ;4:Gold 5u; 5:Gold 15u; 6:Gold 30u ;7:Terminal half- Gold Bright Tin;8: Terminal half- Gold 2u Bright Tin 9: Terminal half- Gold 3u Bright Tin;10: Terminal half- Gold 5u Bright Tin 11: Terminal half- Gold 15u Bright Tin;12: Terminal half- Gold 30u Bright Tin 13: Terminal half- Gold Matte Tin;14:Terminal half- Gold 2u Matte Tin 15: Terminal half- Gold 3u Matte Tin; 16:Terminal half- Gold 5u Matte Tin 17:Terminal half- Gold 15u Matte Tin;18:Terminal half- Gold 30u Matte Tin
- ⑥ Color:B-BLACK W-White BL-Blue
- ⑦ 1:TYPE-1; 2:TYPE-2; 5:TYPE-5; 7:TYPE-7



NUMBER OF POSITIONS	DIMENSION			
	A±0.25	B±0.13	C±0.38	D±0.25
9	30.80	24.99	16.35	19.28
15	39.20	33.32	26.50	27.51
25	53.05	47.04	40.00	41.28
37	69.40	63.50	56.60	57.71

组合方式	TYPE-1:Iriveting (铆合)	TYPE-2:Front riveted solid nut (前铆实心螺母)	TYPE-7:Rear-riveted harpoon (后铆鱼叉)	TYPE-5:Riveted harpoon lock screws (铆鱼叉锁螺丝)
图示				

MARK	DESCRIPTION	DATE	REVISED	APPROVED	UNSPECIFIED TOLERANCES
ΔX					ANGLAR ±5°
ΔX					L ≤ 4 ±0.2
ΔX					4 < L ≤ 16 ±0.3
					16 < L ≤ 63 ±0.4
					L > 63 ±0.5



XKB INDUSTRIAL PRECISION CO., LIMITED

DSND		SCALE: N/A	MODEL TYPE: D-USB
DWN		VIEW:	PART NO.: X02XXFXXXX
CHKD		UNIT: mm/in	DWG NO.: X-X02XXFXXXX
APPD		SIZE: A4	WEIGHT SHEET REVISION
			1/1 A0