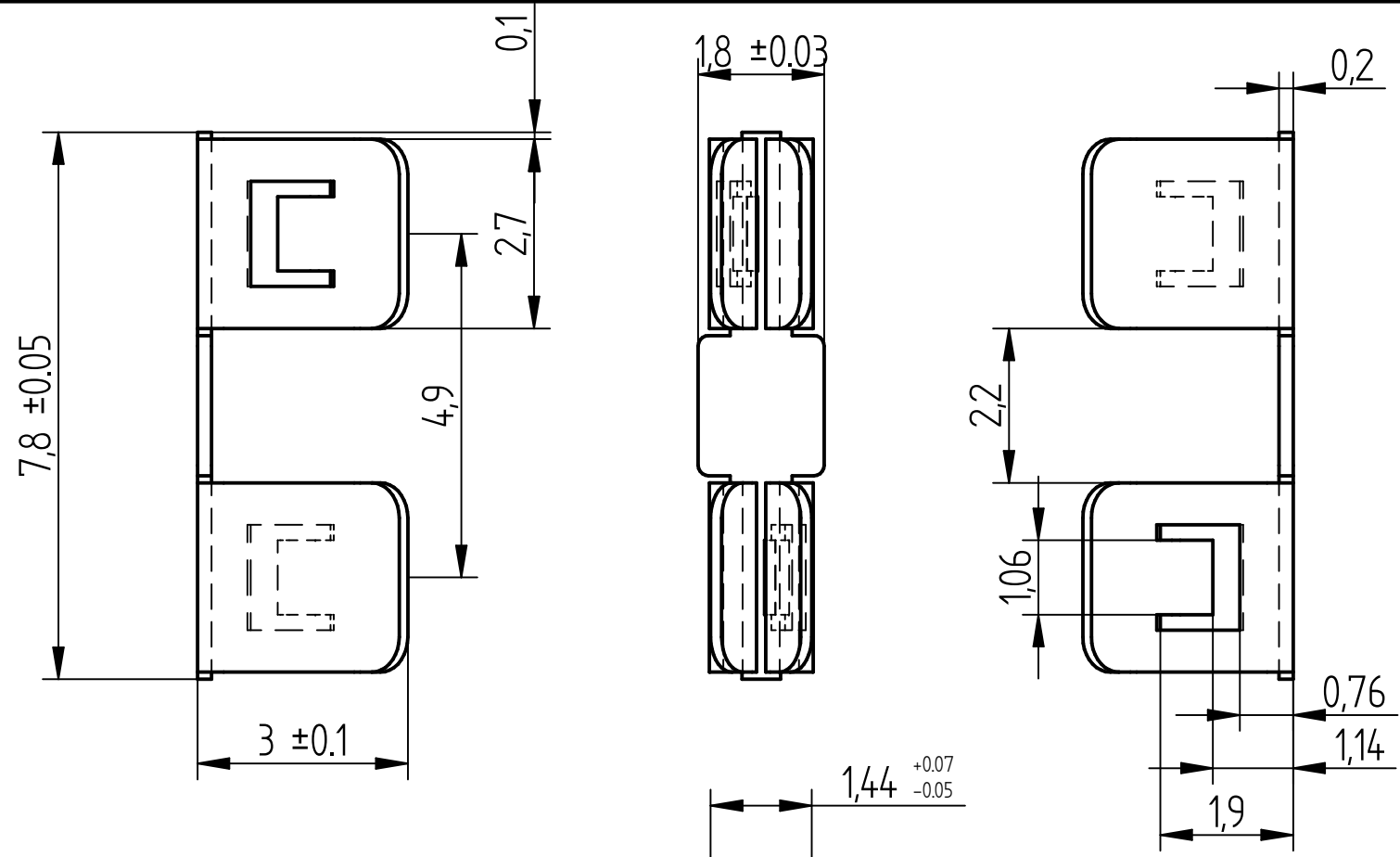
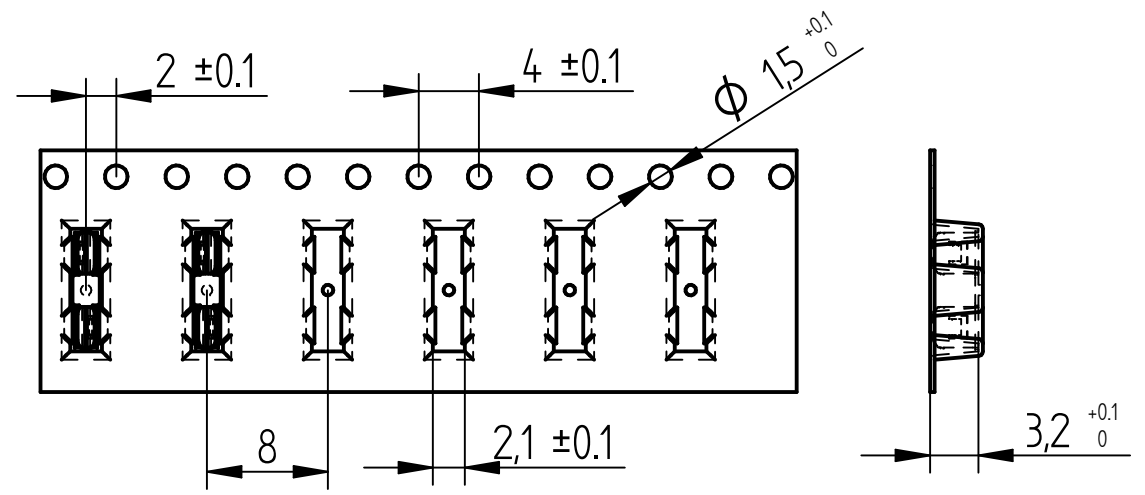


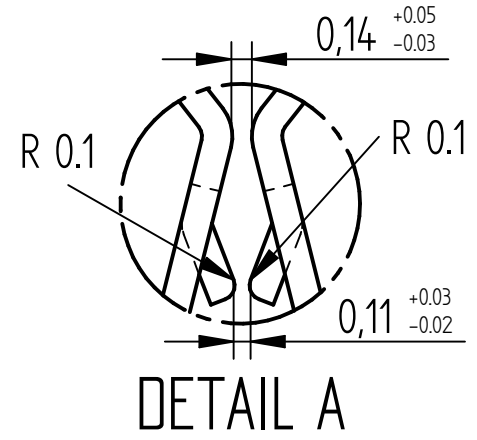
REVISION HISTORY			
	DESCRIPTION	DATE	APPROVED
A	N/M	2015,02,10	P,K,KOH
B	MODA-INNOCHIPS CO., LTD 변경	2016,06,27	P,K,KOH



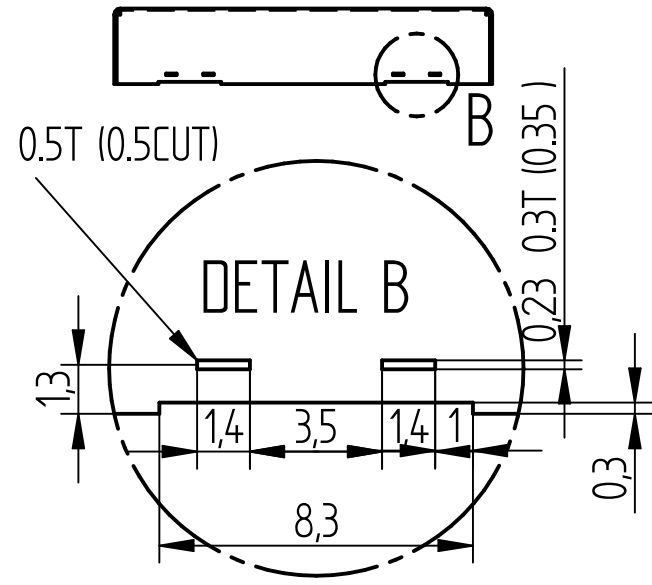
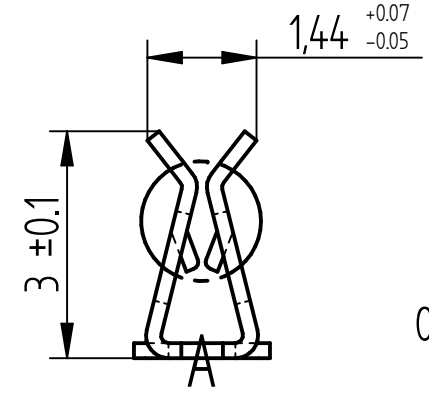
TAPING DWG (SCALE 2/1)



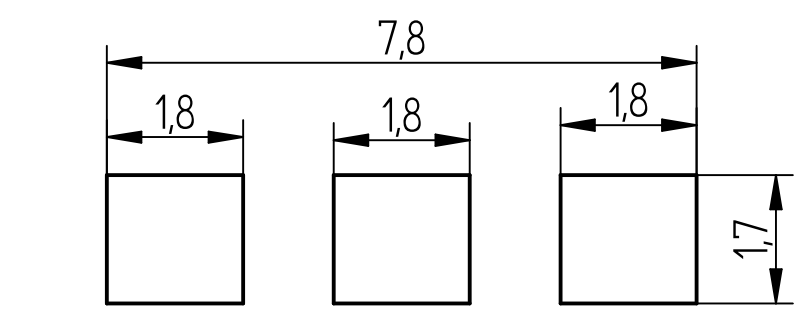
- NOTES
1. MATERIAL : STS301
 2. MATERIAL THICKNESS : 0.2t
 3. FINISHED : Sn(100%) PLATING ON BOTH SIDE
(Ni 0.5 μ m Sn 1.27 μ m)
 4. PACKING MATERIALS.
- REEL : HIPS 0.3t
- COVER TAPE : PS
- Q'TY/REEL : 2,900ea
 5. AVAILABLE SHIELD CASE THICKNESS : 0.3~0.5T + 0.02 -0
 6. CONTACT RESISTANCE : MAX 300mm Ω
 7. STENCIL THICKNESS : 0.12T
 8. MAINTAIN 90° ±3 WHILE ENGAGE & DISENGAGE SHIELD CAN & SHIELD CLIP TO PREVENT DEFORMATION & TO MAINTAIN RETENTION FORCE OF SHIELD CLIP



CAN Design Guide



RECOMMENDED PCB LAY OUT



RECOMMENDED STENCIL LAY-OUT

APP.	DATA	NAME	Moda-InnoChips Co., Ltd.	
CHECK		LEE	ICT (주)모다이노칩	
DESIGN		P.K.KO	TITLE ICSRC7830SFR	
UNLESS OTHERWISE SPECIFIED DIMENSIONS ARE IN MILLIMETERS TOLERANCES ARE ANGLES ± 0.3° 0 ~ 1 ± 0.05 1 ~ 5 ± 0.1 5 ~ 10 ± 0.15			SIZE	REV
			A3	B
			DWG NO	FILE NAME: ICSRC7830SFR.dft
			SCALE:	WEIGHT: SHEET 1 OF 1