

注释: 16PIN以上才有这两个卡扣

一. 电气性能:

- 1-1. 额定电流: 3A AC DC.
- 1-2. 接触电阻: $\leq 20m\Omega$
- 1-3. 绝缘电阻: $\geq 1000M\Omega$
- 1-4. 耐压: 550V AC/Minute

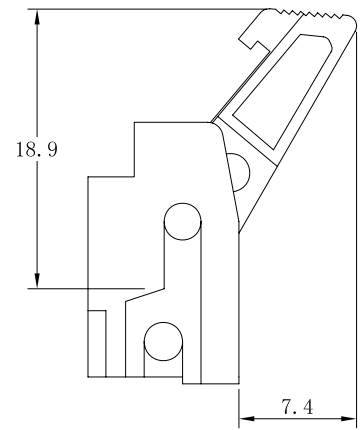
二. 物理特性:

- 2-1. 操作温度: $-55^{\circ}C \sim 105^{\circ}C$
- 2-2. 焊接温度: $+220^{\circ}C$, 10s max

三. 材质:

- 3-1. 塑胶: PBT(Black) UL94V-0
- 3-2. 插针: Brass/Gold plated

PIN	A	A1	B
6	26.68	16.88	5.08
8	29.22	19.42	7.62
10	31.76	21.96	10.16
12	34.30	24.50	12.70
14	36.84	27.04	15.24
16	39.38	29.58	17.78
18	41.92	32.12	20.32
20	44.46	34.66	22.86
22	47.00	37.20	25.40
24	49.54	39.74	27.94
26	52.08	42.28	30.48
28	54.62	44.82	33.02
30	57.16	47.36	35.56
32	59.70	49.90	38.10
34	62.24	52.44	40.64
36	64.78	54.98	43.18
38	67.32	57.52	45.72
40	69.86	60.06	48.26
42	72.40	62.60	50.80
44	74.94	65.14	53.34
46	77.48	67.68	55.88
48	80.02	70.22	58.42
50	82.56	72.76	60.96
52	85.10	75.30	63.50
54	87.64	77.84	66.04
56	90.18	80.38	68.58
58	92.72	82.92	71.12
60	95.26	85.46	73.66
62	97.80	88.00	76.20
64	100.34	90.54	78.74



图名:	NJ2.54-2xNAW	未标注公差				绘制:	单位: MM		
		XX.	± 0.40	XX.°	$\pm 2^{\circ}$			签发:	比例: 1:1
		X.	± 0.30	.XX°	$\pm 1^{\circ}$				
		.X	± 0.20						
.XX	± 0.15			审核:	视图:				
图号:	XXXXXXXXXXXXXXXXXX								