

环保物料

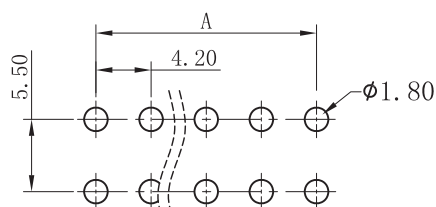
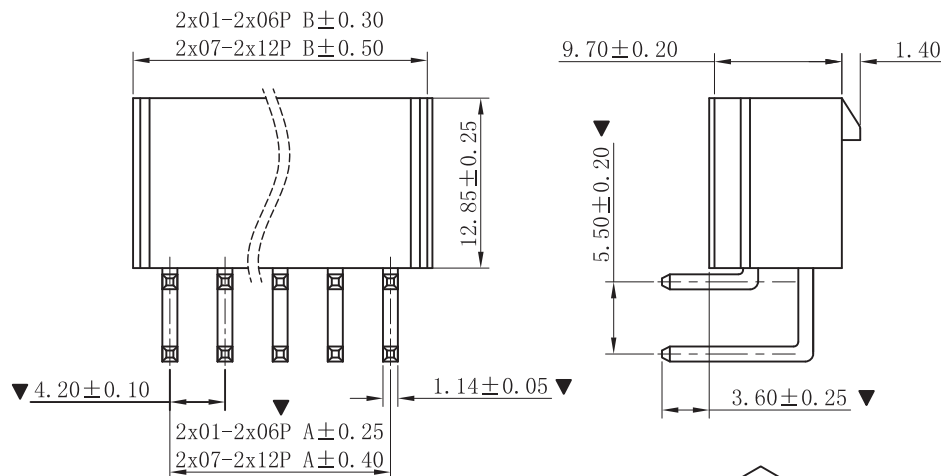
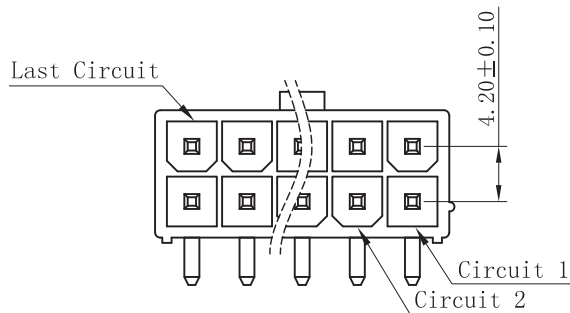
TEL: 0769-82001899

SPECIFICATIONS

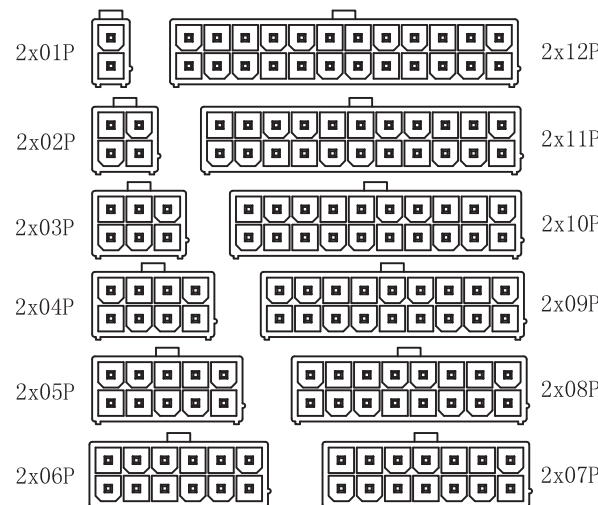
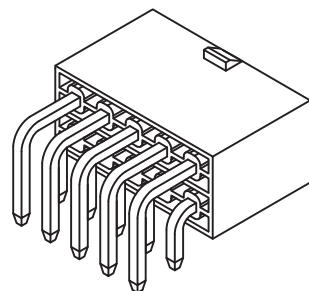
- 1.Voltage rating: 600V AC, DC
- 2.Current rating: 9A, AC, DC
- 3.Withstanding Voltage: 1500V AC/minute
- 4.Insulation resistance:1000MΩ min
- 5.Temperature range: -25° C+85° C
- 6.Contact resistance: 10mΩ max

WAFER
 Housing Material: Nylon66 UL 94V0 (2)
 Pin Material: Phosphor Bronze or Brass
 Contact Area Plating: Plated Tin or Plated Gold
 Mates with :P4202-2xXX series Housing
 Poles:02-24P
 PartNo.:M4202R-2xXX-N2

N2=Pa66-V2
 N0=Pa66-V0
 Pin位数



P. C. B LAYOUT



CIRCUIT SIZE LAYOUT

PART NO.	Dimensions (mm)	
	A	B
2x01	--	5.60
2x02	4.20	9.80
2x03	8.40	14.00
2x04	12.60	18.20
2x05	16.80	22.40
2x06	21.00	26.60
2x07	25.20	30.80
2x08	29.40	35.00
2x09	33.60	39.20
2x10	37.80	43.40
2x11	42.00	47.60
2x12	46.20	51.80

AO	MODIFICATION	DRAW	DATE	TOLERANCE UNLESS OTHERWISE	DRAWN	CK tan	XFCN 兴飞连接器有限公司 XFCN CONNECTORS CO.,LTD. PRODUCT NAME 4.20mm Crimp Style Connectors PART. NO. M4202R-2xXX-N2	SHEET	1/1
VER				X. ±0.30 X° ±5°	CHKD			DATE	2020.04.12
				.X ±0.20 .X° ±2°	APPD			UNITS	mm
				.XX ±0.08 .XX° ±1°	VIEW	⊕		SCALE	1:1
				.XXX ±0.03 .XXX° ±0.5°			DWG NO.	009	