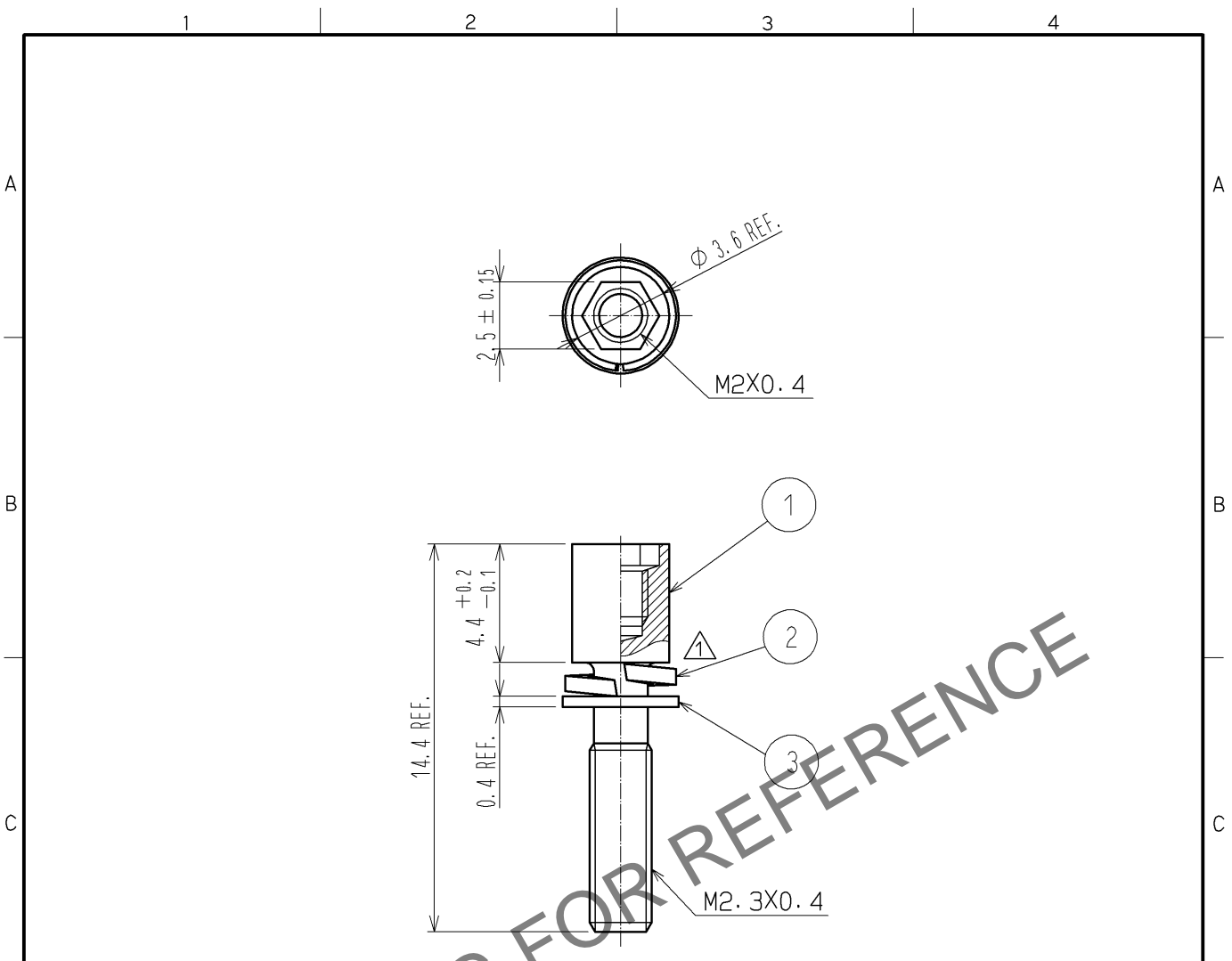
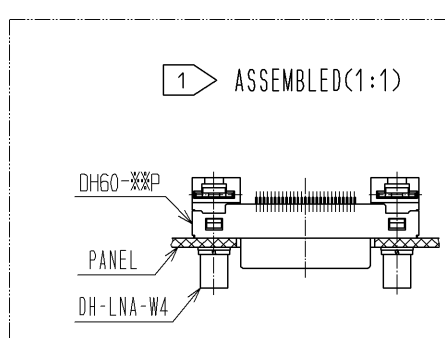


Dec.1.2023 Copyright 2023 HIROSE ELECTRIC CO., LTD. All Rights Reserved.
 In case of consideration for using Automotive equipment / device which demand high reliability, kindly contact our sales window correspondents.



HRS DRAWING FOR REFERENCE

- NOTE 1 THIS PRODUCT IS ASSEMBLED TO A *DH60-**P*.
 THE APPLICABLE PANEL THICKNESS IS FROM 0.9 TO 1.2mm.
- 2 THIS PRODUCT IS PACKED IN A BAG. (QUANTITY IN A BAG : 200pcs.)



1	STEEL	OVER PLATING : NICKEL 5μm MIN UNDER PLATING : COPPER 1μm MIN	3	STEEL	OVER PLATING : NICKEL 5μm MIN UNDER PLATING : COPPER 1μm MIN
NO.	MATERIAL	FINISH , REMARKS	NO.	MATERIAL	FINISH , REMARKS
UNITS mm		SCALE 4 : 1	COUNT 1	DESCRIPTION OF REVISIONS DIS-E-003059	DESIGNED MO. SHIMOYAMA
				CHECKED KN. ICHIKAWA	DATE 09.12.07
HIROSE ELECTRIC CO., LTD.		APPROVED : AO. SUZUKI	09.04.27	DRAWING NO. EDC4-126896-00	
		CHECKED : MO. SHIMOYAMA	09.04.24	PART NO. DH-LNA-W4	
		DESIGNED : TS. ITO	09.04.24	CODE NO. CL244-0046-2-00	
		DRAWN : TS. ITO	09.04.24	1/1	