

Specifications

Ordering Information

F111-12 05 A0 A SY C 1

备注 (Remark)

1. 材料 (MATERIAL)

胶芯: PBT+30%G.F UL94V-0, 颜色: 黑色.

Housing: PBT+30%G.F UL94V-0, Color: Black

端子: 青铜, 镍底30u", 表面镀普金

Contact: bronze, GOLD PLATING OVER ALL

30u" NICKEL UNDERPLATING OVER ALL

2. 特性 (characteristics):

额定电流: 3 AMP

Rating Current: 3 AMP.

接触阻抗: 20 mΩ MAX.

Contact Resistance: 20 mΩ MAX.

绝缘阻抗: 1000 MΩ MIN.

Insulating Resistance: 1000 MΩ MIN.

耐电压: AC 500V/分钟.

Withstanding Voltage: AC 500V/Minute.

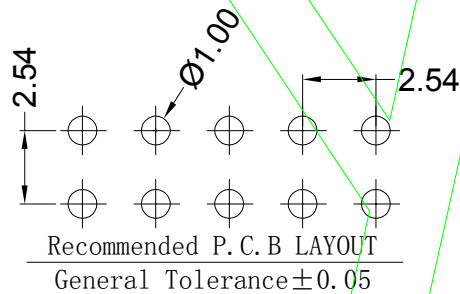
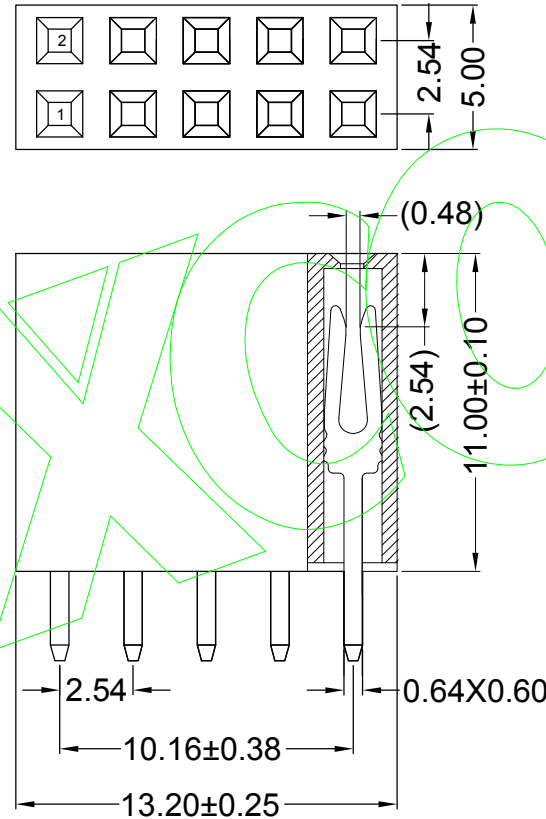
温度范围: -40° C to +105° C

Temperture Range: -40° C to +105° C

NO. OF PINS PER ROW	Contact Plating	INSULATOR MATERIAL:	PACKING
2~40P	Full Gold	A: PBT	A: PE Bag
	Semi-gold	B: PA6T	B: Tape & Reel
		C: PA9T	C: Tube
		D: LCP	D: Tube+CAP
			E: Tray

Full Gold	Semi-gold
A0=0.8u"	B0=0.8U"
A1=1u"	B1=1.5U"
A2=1.5u"	B2=1.5U"
A3=2u"	B3=2U"
A4=3u"	B4=3U"
A5=5u"	B5=5U"
A6=10u"	B6=10U"
A7=15u"	B7=15U"
A8=20u"	B8=20U"
A9=30u"	B9=30U"

Plating
S1=Ordinary Tin Plated
S2=Matte Tin Plated
S3=Tin-plated High-temperature



REV	DATE	SYMBOL	MODIFICATION DESCRIPTION	OPERATION		SCALE		Fit		DESIGN	PART NO.	TITLE
				X.X	±0.25	UNIT	MM	SIZE	A4			
				X.XX	±0.20	SIZE	A4	DESIGN	李官森2023.12.27	PART NO.	F111-1205A0ASYC1	2.54排母 H=11.0mm 2*5P 180度 DIP:3.1 PBT料 中端子 镀普金 46/管*12/孔*12/箱
				X.XXX	±0.10	SHEET	1/1	CHECK		TITLE		
				Angle	±3°	PROJ.	⊕	APPROVE		Customer No.		
				DIM	TOL							

Yxcon 东莞市宇熙精密连接器有限公司
www.yxcon.com Dongguan Yuxi Electronic Co., Ltd.