

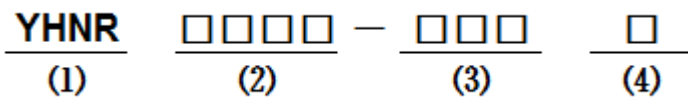
■ Features

- Low profile construction and miniature size.
- Magnetic shielded construction.
- High current saturation.
- Operating temperature:-40°C ~ +125°C.
- RoHS compliant

■ Applications

- For small DC/DC converter(HDD,DVC,DSC,PDA,LCD display etc.).
- Car navigation systems,telecom base stations.
- VR,AR,LED lighting.

■ Product Identification



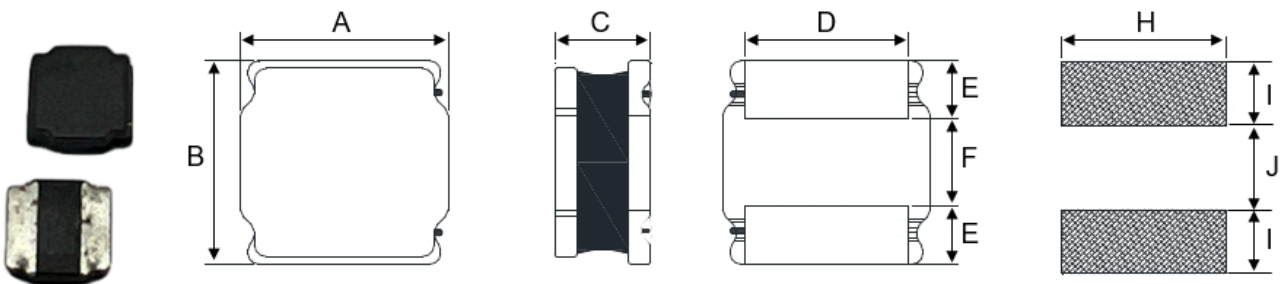
(1) : Type

(2) : Dimensions

(3) : Inductance value

(4) : Inductance Tolerance; N=±30%,M=±20%

■ Shapes and Dimensions (Unit: mm)



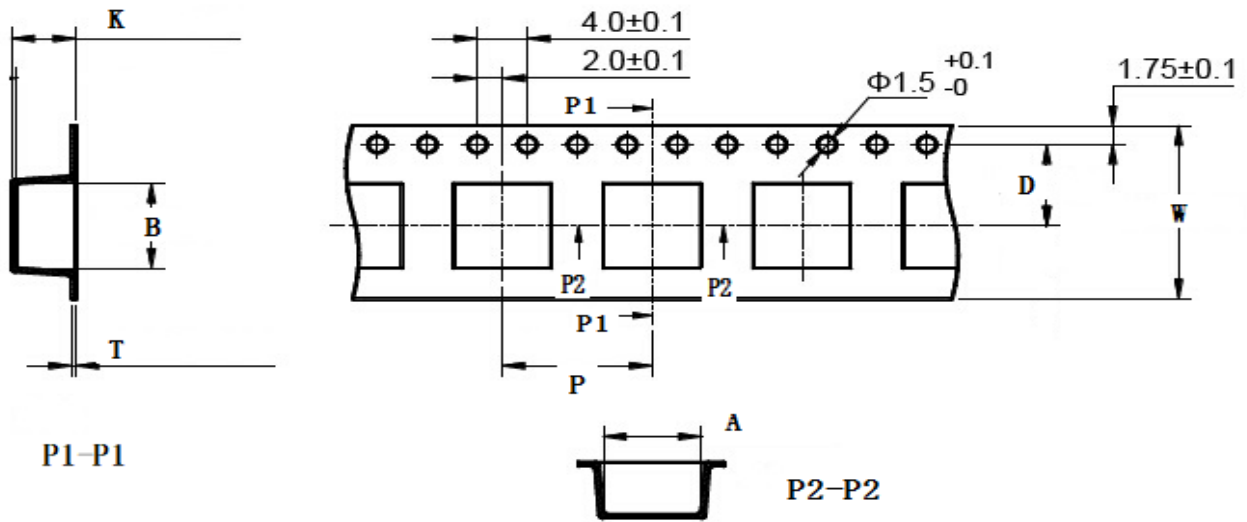
TYPE	A	B	C Max.	D	E	F	H Ref.	I Ref.	J Ref.
YHNR3012	3.0±0.3	3.0±0.3	1.25	2.5±0.3	1.0±0.3	1.0±0.3	2.7	1.0	1.2

■ YHNR3012 Series

Part Number	Inductance @100KHz	DCR (Ω)		Heat Rating Current		Saturation Current	
		Typ.	Max.	Max. (A)	Typ. (A)	Max. (A)	Typ. (A)
YHNR3012-R22M	0.22uH \pm 20%	0.020	0.026	4.20	4.80	9.30	10.00
YHNR3012-R33M	0.33uH \pm 20%	0.024	0.032	4.10	4.80	7.20	8.90
YHNR3012-R47M	0.47uH \pm 20%	0.031	0.040	3.80	4.20	6.80	8.00
YHNR3012-R68M	0.68uH \pm 20%	0.038	0.046	3.10	3.60	5.80	6.80
YHNR3012-1R0M	1.0uH \pm 20%	0.046	0.054	2.70	3.10	4.20	5.40
YHNR3012-1R5M	1.5uH \pm 20%	0.062	0.074	2.50	2.90	3.40	4.10
YHNR3012-2R2M	2.2uH \pm 20%	0.090	0.108	2.05	2.35	2.80	3.35
YHNR3012-3R3M	3.3uH \pm 20%	0.144	0.185	1.50	1.80	2.20	2.60
YHNR3012-4R7M	4.7uH \pm 20%	0.215	0.255	1.15	1.35	2.00	2.50
YHNR3012-6R8M	6.8uH \pm 20%	0.290	0.340	1.10	1.25	1.60	1.90
YHNR3012-100M	10uH \pm 20%	0.395	0.474	1.00	1.15	1.20	1.45
YHNR3012-150M	15uH \pm 20%	0.610	0.740	0.53	0.60	1.10	1.30
YHNR3012-220M	22uH \pm 20%	0.960	1.200	0.40	0.46	0.96	1.15

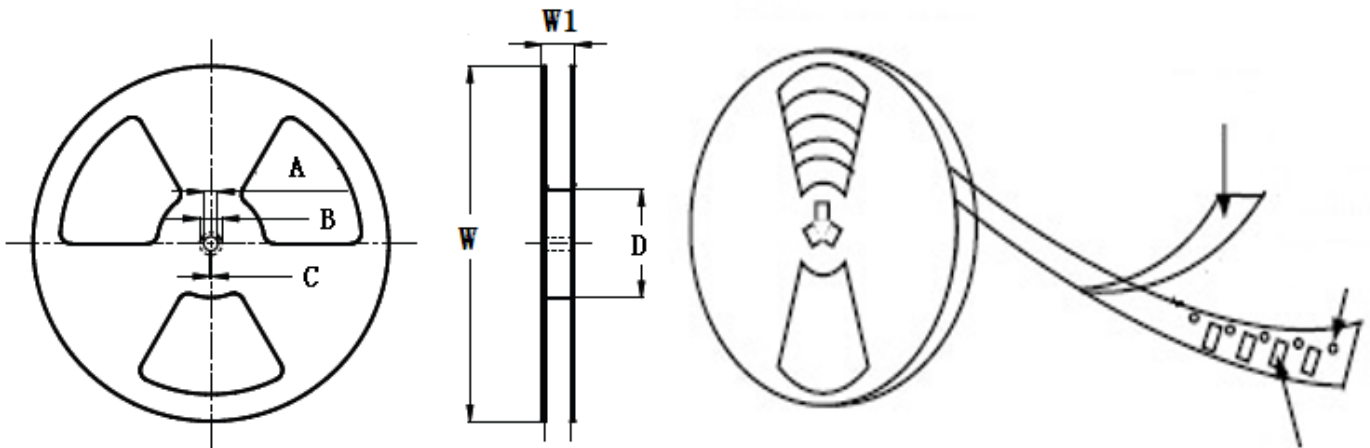
- ※ The saturation current value is the DC current value having inductance decrease down to 30%. (at 25°C)
- ※ The temperature rise current value is the DC current value having temperature increase up to 40°C. (at 20°C)
- ※ The rated current is the DC current value that satisfies both of current value saturation current value and temperature rise current value.

■ Taping Dimensions(Unit:mm)



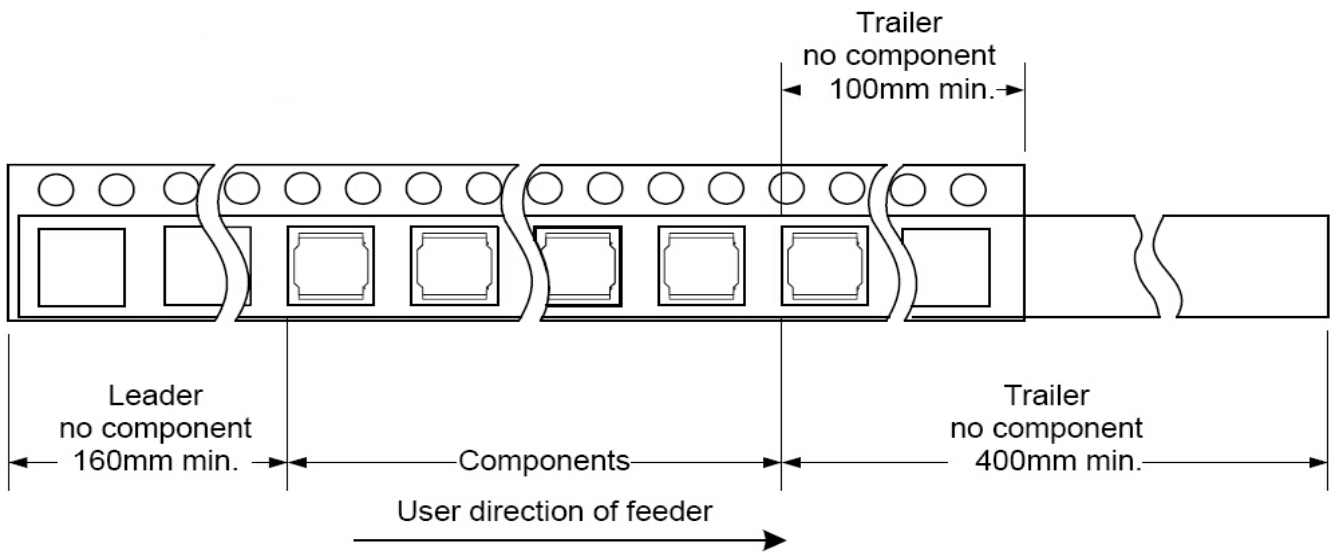
TYPE	Chip Thickness	W	A	B	D	P	K Max	T Max	MPQ
YHNR3012	1.25	8.0	2.35	2.65	3.50	8.00	1.20	0.25	2000

■ Reel Dimensions(Unit:mm)

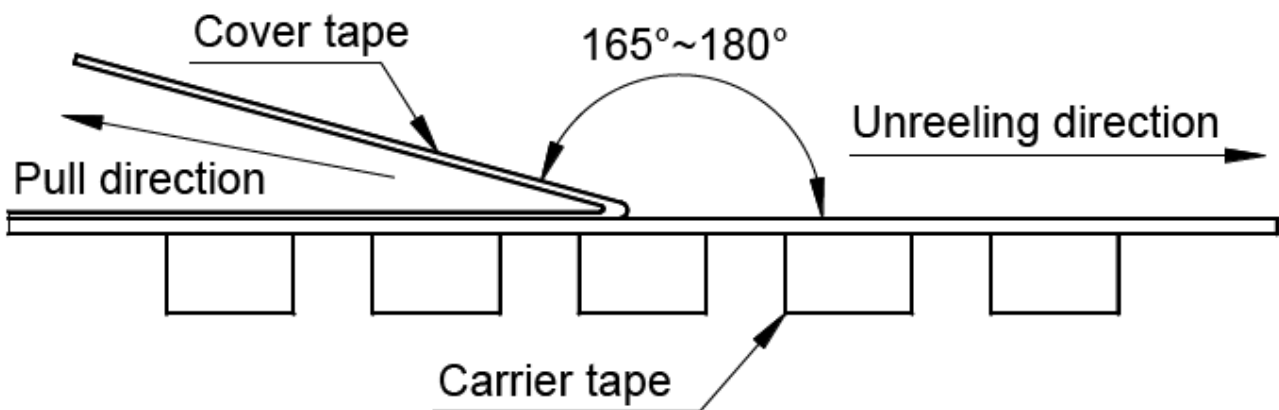


TYPE	W	W1	A	B	C	D
YHNR3012	178±2.0	8.40±1.50	4.3±0.20	5.0±0.10	3.0±0.10	58±2.0

Direction of rolling



Cover tape peel off condition



Cover tape peel force shall be 0.1N to 1.3N.

Reference peel speed 300 ± 10 mm/min.