

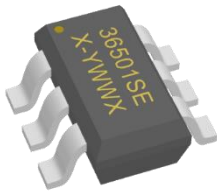
60V High Efficiency Step-Down LED Driver

Description

The NDP36501SE is a high-efficiency step-down LED driver controller with a wide input voltage range of 6V to 60V. It is designed to operate in continuous current mode.

The NDP36501SE employs a hysteretic control architecture that accurately regulates LED current with the feedback coming from an external high-side current-sense resistor. This control scheme optimizes circuit stabilization and fast response time without loop compensation. Its low 200mV average feedback voltage reduces power loss and improves the converter's efficiency.

The NDP36501SE implements PWM and analog dimming together through the EN/DIM pin. NDP36501SE also includes thermal overload protection in case of output.



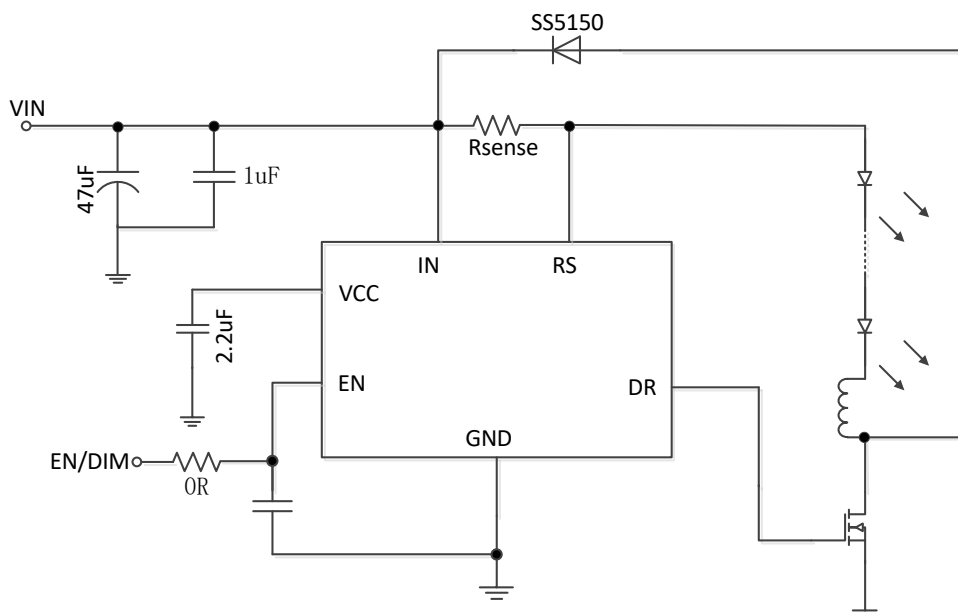
Features

- Wide Input Range: 6V to 60V
- Able to Drive 10A LED Load
- Hysteresis Control
- High Efficiency (>95%)
- Open LED Protection
- Short LED Protection
- Thermal Shutdown
- RoHS and Halogen free compliance.
- Available in SOT23-6 Package

Applications

- Low Voltage Halogen Replacement
- Low Voltage General Illumination
- Automotive/Decorative LED Lighting
- Emergency Lighting
- LED Backlighting

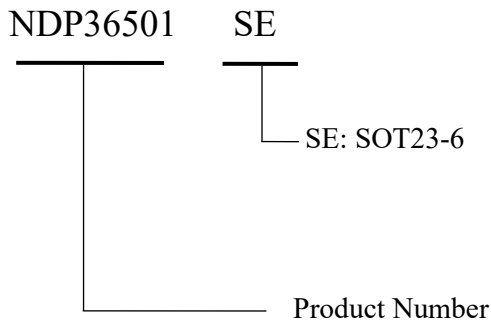
Typical Application



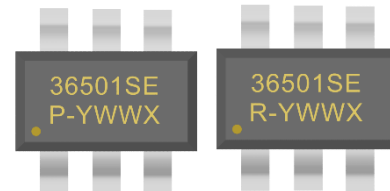
Order Information

Orderable Device	Package Type	Packing Qty/Reel	MSL- Peak Temp -Floor Life	Eco Std	Marking Information
NDP36501SE	SOT23-6	3000	MSL3-260°C-168hrs	RoHS & Green	P/R-YWWX

Product Naming



Top Side Marking



Y: Year (A=2021, B=2022...)
 WW: Weekly (01-53)
 X: Internal Code
 P: Over temperature Protection
 R: Over temperature Regulation

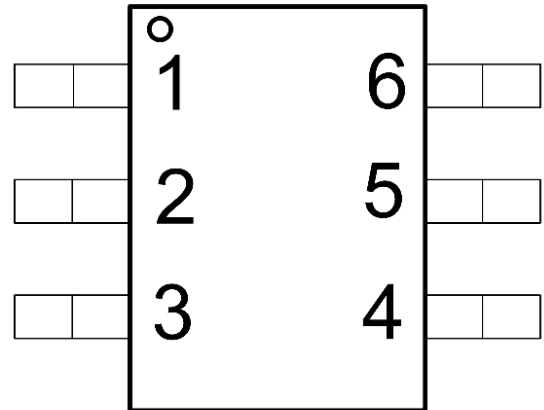
Notes:

- (1) **RoHS:** Quoted from **RoHS Directive (EU) 2015/863**, Deep-Pool defines "RoHS" to mean semiconductor products that are compliant with the current EU RoHS requirements. Where designed to be soldered at high temperatures, "RoHS" products are suitable for use in specified lead-free processes. Deep-Pool may reference these types of products as "**Pb-Free**".
- (2) **RoHS Exempt:** Deep-Pool defines "RoHS Exempt" to mean products that contain lead but are compliant with EU RoHS pursuant to a specific EU RoHS exemption.
- (3) **Green:** Deep-Pool defines "Green" to mean the content of Chlorine (Cl) and Bromine (Br) based flame retardants meet JEDEC (**JS709C**) low halogen requirements of ≤ 1000 ppm threshold.
- (4) **MSL, Peak Temp. -** The Moisture Sensitivity Level rating according to the JEDEC (**J-STD-020F**) industry standard classifications, as well as the peak solder temperature of SMT and the floor life after unpacking, which customers should pay attention and strictly comply with the standard to use.
- (5) There may be additional marking, which relates to the logo, the lot trace code information, or the environmental category on the device.

The information provided on this page represents **Deep-Pool's** knowledge and belief as of the date that it is provided. **Deep-Pool** bases its knowledge and belief on information provided by third parties and makes no representation or warranty as to the accuracy of such information. Efforts are underway to better integrate information from third parties. **Deep-Pool** has taken and continues to take reasonable steps to provide representative and accurate information but may not have conducted destructive testing or chemical analysis on incoming materials and chemicals. **Deep-Pool** and **Deep-Pool** suppliers consider certain information to be proprietary, and thus CAS numbers and other limited information may not be available for release.

Pin Function and Definition

PIN	Name	Description
1	VIN	Power Input
2	RS	Connect Sensor Resistor between VIN and RS to set LED Current
3	EN/DIM	Enable or PWM/Analog Diming Input, below 0.3V Shutdown
4	GND	Ground
5	DRV	NMOS Driver
6	VCC	Internal Power Supply



Absolute Maximum Ratings (at T_A= 25°C)

Characteristics	Symbol	Rating	Unit
VIN to GND		-0.3 to 65	V
RS to GND		(VIN-5V) to VIN	V
VCC to GND		-0.3 to 7	V
EN/DIM to GND		-0.3 to 7	V
DRV to GND		-0.3 to 7	V
Operating Junction Temperature	T _{OPT}	-40 to 150	°C
Storage Junction Temperature	T _{STG}	-65 to 150	°C
Thermal Resistance from Junction to ambient	θ _{JA}	100	°C/W
Thermal Resistance from Junction to Case	θ _{JC}	55	°C/W

Notes:

Stresses at or above those listed under Absolute Maximum Ratings may cause permanent damage to the product. This is a stress rating only; functional operation of the product at these or any other conditions above those indicated in the operational section of this specification is not implied. Operation beyond the maximum operating conditions for extended periods may affect product reliability.

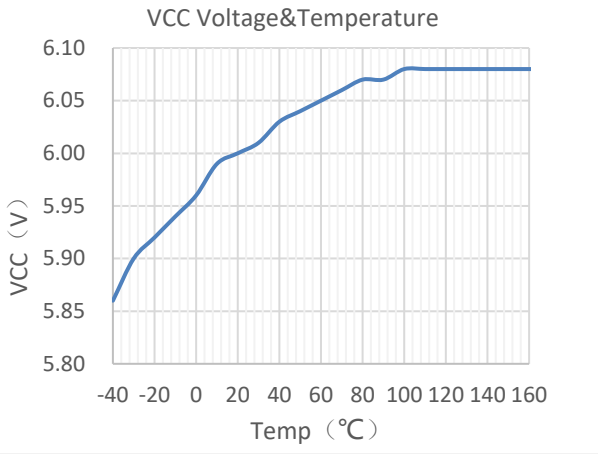
Electrical Characteristics

T_J = 25°C, V_{IN} = 12V, unless otherwise noted.

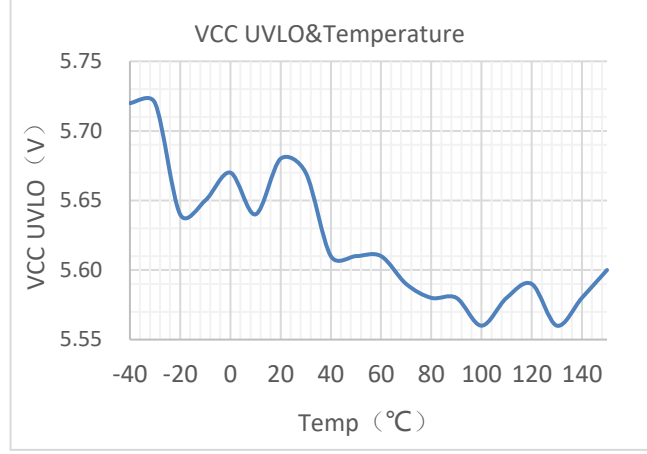
Characteristics	Symbol	Conditions	Min	Typ	Max	Units
Input Voltage	V _{IN}		6		60	V
Shutdown Supply Current	I _{SD}			80	108	μA
Quiescent Supply Current	I _Q	No Switching		0.3	0.5	mA
VCC Voltage	V _{CC}	V _{EN/DIM} = 3.5V	5.5	6		V
Feedback Average Voltage (with Respect to V _{IN})	V _{IN-VRS}	V _{EN/DIM} = 3.5V	194	200	206	mV
Feedback Reference Voltage Hysteresis	V _{FB_HYS}			±30		mV
EN/DIM Enable High Voltage	V _{EN_HIGH}	V _{EN} Rising		0.3	0.4	V
EN/DIM Enable Hysteresis	V _{EN_HYS}			30		mV
EN/DIM Pull-Up Current		Pull up to 5V		1.5		μA
EN/DIM Pull-Down Current		Pull down to GND		25		μA
Min Recommended PWM Dimming Frequency	F _{PWM_MIN}			0.1		kHz
Max Recommended PWM Dimming Frequency	F _{PWM_MAX}			20		kHz
Gate Driver Source Resistor	R _{SRC}	V _{GS} = 5.5V		1.4		Ω
Gate Driver Sink Resistor	R _{SINK}			0.5		Ω
Gate Driver High	V _{OH}	I _{DRV} = 10mA	5.5			V
Gate Driver Low	V _{OL}	I _{DRV} = 10mA			0.5	V
Minimum ON Time	T _{ON_MIN}			120		ns
Minimum OFF Time	T _{OFF_MIN}			130		ns
Maximum Frequency	F _{MAX}			1		MHz
VCC UVLO Threshold	V _{UVLO_TH}	V _{CC} Rising		5.7		V
VCC UVLO Hysteresis	V _{UVLO_HYS}			1.1		V
Thermal Shutdown Threshold		Temp. Rising		150		°C
Thermal Shutdown Hysteresis	T _{SH}		-	30	-	°C

TYPICAL CHARACTERISTICS

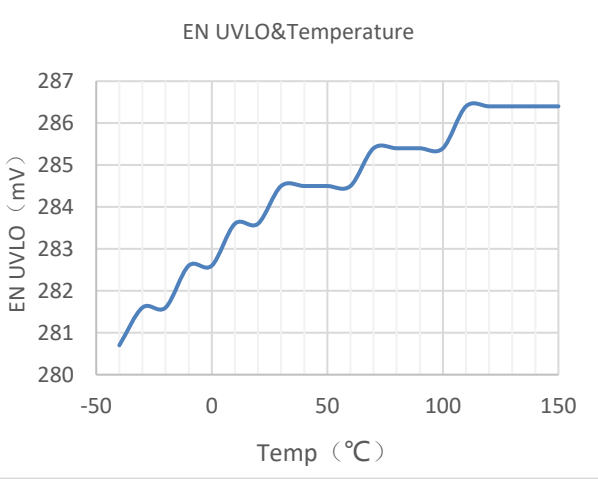
VCC Voltage vs. Temperature



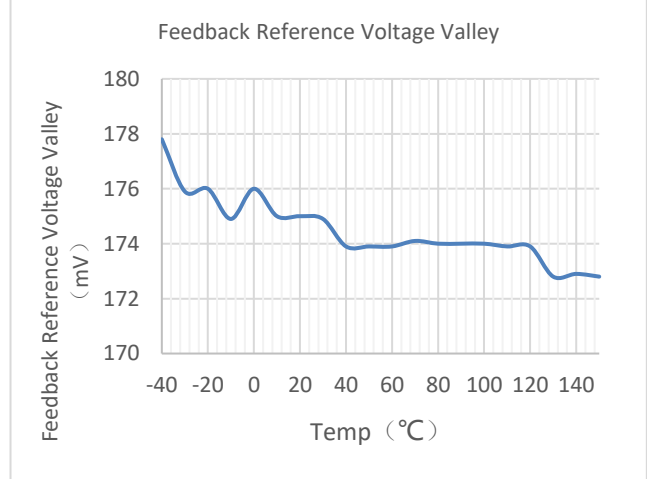
VCC UVLO vs. Temperature



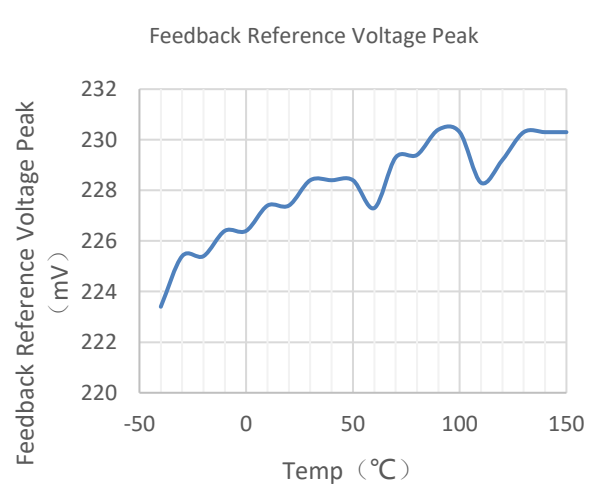
EN UVLO vs. Temperature



Feedback Reference Voltage Valley

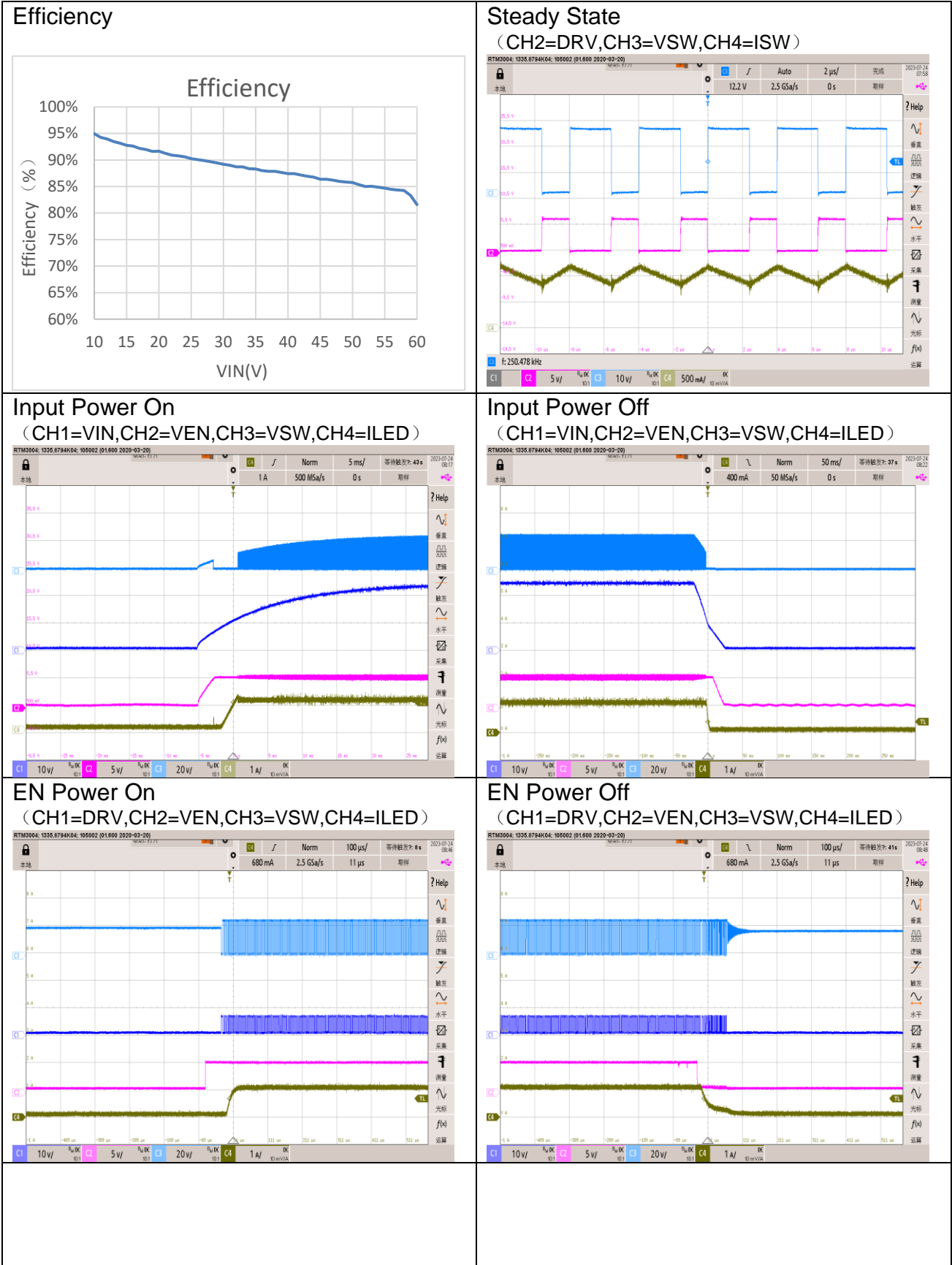


Feedback Reference Voltage Peak

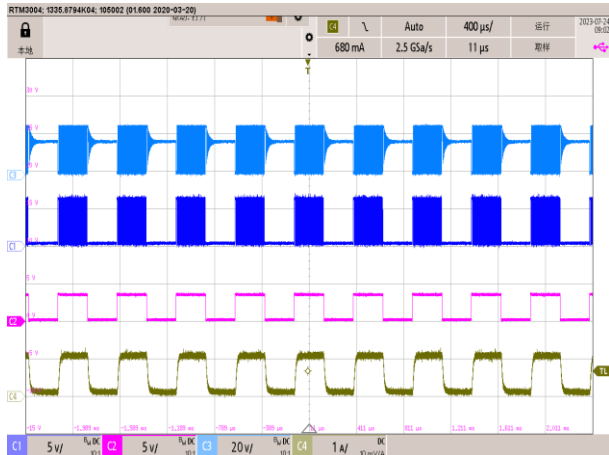


TYPICAL PERFORMANCE CHARACTERISTICS

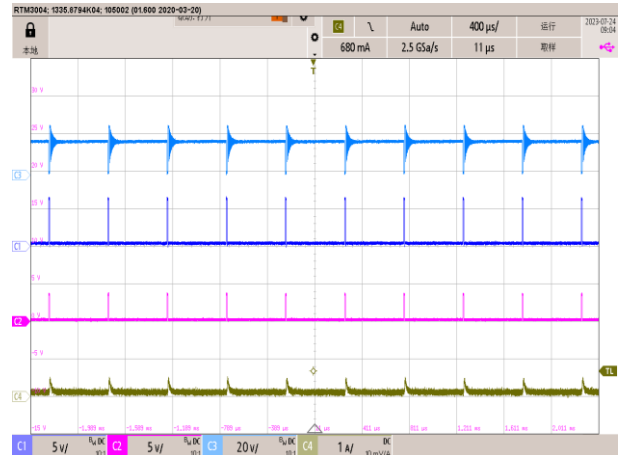
Performance waveforms are tested on the evaluation board of the Design Example section.
 VIN = 24V, 3LEDs, IOOUT = 1A, T A = 25°C, unless otherwise noted.



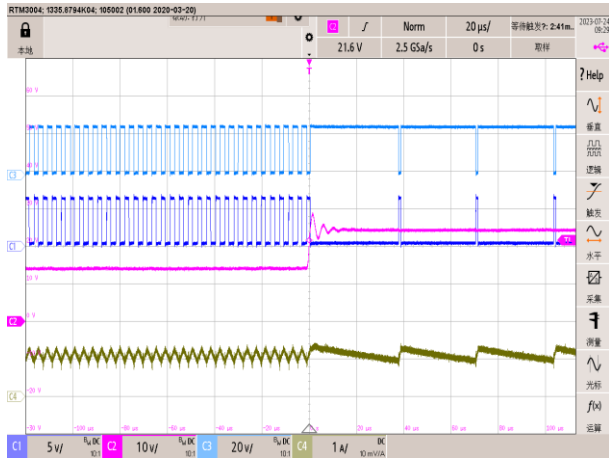
PWM Dimming (2KHZ 50%) (CH1=DRV,CH2=VEN,CH3=VSW,CH4=ILED)



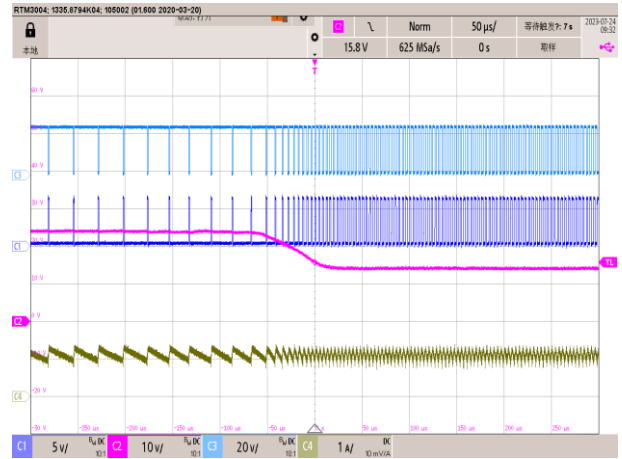
PWM Dimming (2KHZ 1%) (CH1=DRV,CH2=VEN,CH3=VSW,CH4=ILED)



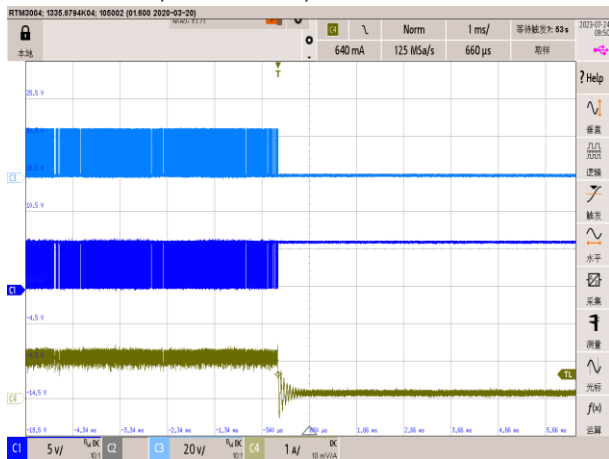
Short LED+ to LED- Protection (CH1=DRV,CH2=VLED-,CH3=VSW,CH4=ILED)



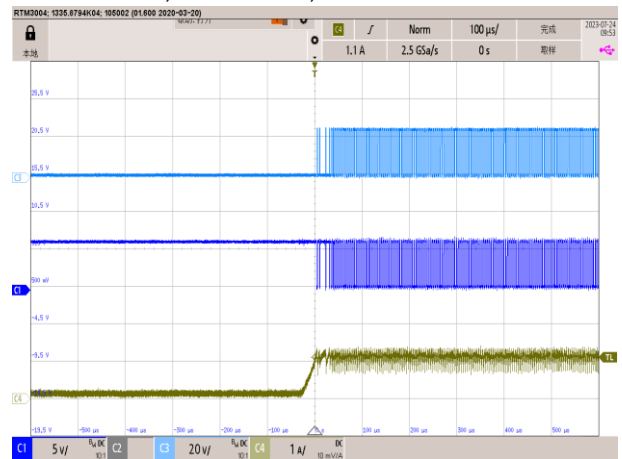
Short LED+ to LED- Recovery (CH1=DRV,CH2=VLED-,CH3=VSW,CH4=ILED)



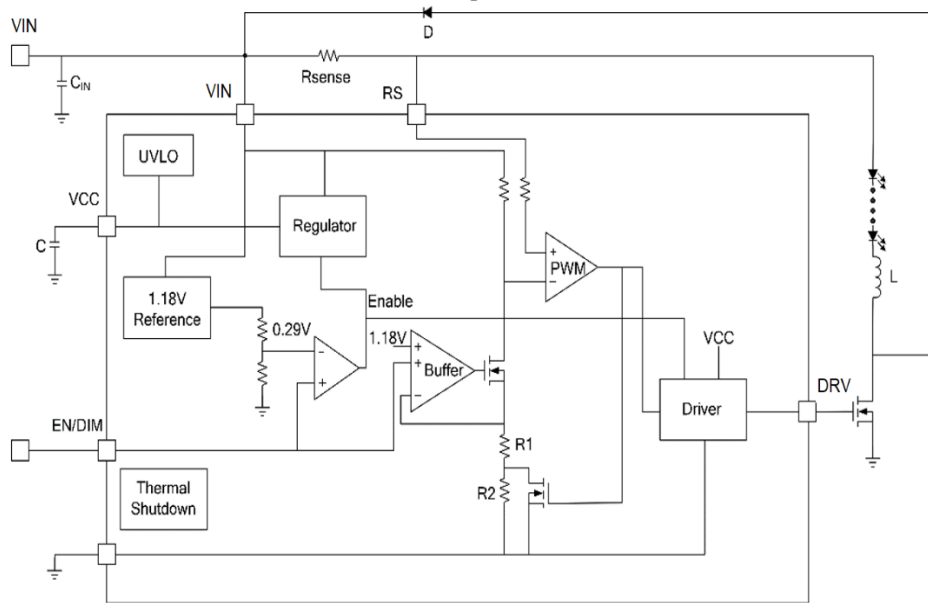
Open LED Load Protection (CH1=DRV, CH3=VSW,CH4=ILED)



Open LED Load Recovery (CH1=DRV, CH3=VSW,CH4=ILED)



Block Diagram



Operational Description

Steady State

The NDP36501SE is a step-down LED-current controller with hysteresis control that is easily configured for a wide input that ranges from 6V to 60V input. The NDP36501SE uses a high-side current-sense resistor to detect and regulate LED current. The voltage across the current-sense resistor is measured and regulated in the $200\text{mV} \pm 30\text{mV}$ range.

The internal 1.18V reference voltage provides a 0.3V reference to enable the part. When $V_{EN} > 0.3\text{V}$, the output of the comparator goes high and enables the other blocks. The NDP36501SE also provides a 5V pull-up voltage as current reference voltage when EN/DIM pin is float.

The inductor current is sensed through the high-side resistor, R_{sense} . When the switch is on, R_2 (see Figure 1) is shorted and inductor current upper-threshold is fixed by R_1 . When the switch is off, inductor current lower-threshold is fixed by R_1 and R_2 . The ratio of R_1 and R_2 determines the current hysteresis.

System Soft Start

The voltage on the EN/DIM pin provides the inductor current reference. An external capacitor from the EN/DIM pin to ground provides a soft-start delay. When VIN starts, internal voltage source charges the capacitor from 0V to 5V to fulfill soft-start function.

Dimming Control

The NDP36501SE allows the EN/DIM pin to control both Analog and PWM dimming. Whenever the voltage on DIM is less than 0.25V, the chip turns off. For analog dimming, when the voltage on DIM is from 0.3V to 2.7V, the LED current will change from 20% to 100% of the maximum LED current. If the voltage on EN pin is higher than 2.9V, output LED current will equal the maximum LED current. For PWM dimming, the signal amplitude must exceed 3V. Choose a PWM frequency in range of 100Hz to 20kHz for good dimming linearity.

Applications Information

Setting the LED Current

The LED current is identical and set by the current sense resistor between the IN pin and RS pin.

$$R_{\text{SENSE}} = 200\text{mV}/I_{\text{LED}}$$

For $R_{\text{SENSE}} = 0.2\Omega$, the LED current is set to 1A

Selecting the Inductor Lower value of inductance can result in a higher switching frequency, which causes a larger switching loss. Choose a switch frequency between 100kHz to 600kHz for most application. According to switching frequency, inductor value can be estimated as:

$$L = \frac{\left(1 - \frac{V_{\text{OUT}}}{V_{\text{IN}}}\right) \times V_{\text{OUT}}}{0.3 \times I_{\text{LED}} \times f_{\text{SW}}}$$

For higher efficiency, choose an inductor with a DC resistance as small as possible.

Selecting the Input Capacitor

The input capacitor reduces the surge current drawn from the input supply and the switching noise from the device. Choose a capacitor value between 10 μ F and 22 μ F for most applications. The voltage rating should be greater than the input voltage. Use a low ESR capacitor for input decoupling.

Selecting the Output Capacitor

For most applications, the output capacitor is not necessary. For applications that require that the peak-to-peak LED ripple current falls below 30% of the average current, add a capacitor across the LEDs. Higher capacitor values will result in proportionally lower ripple. A value of 2.2 μ F will meet most requirements.

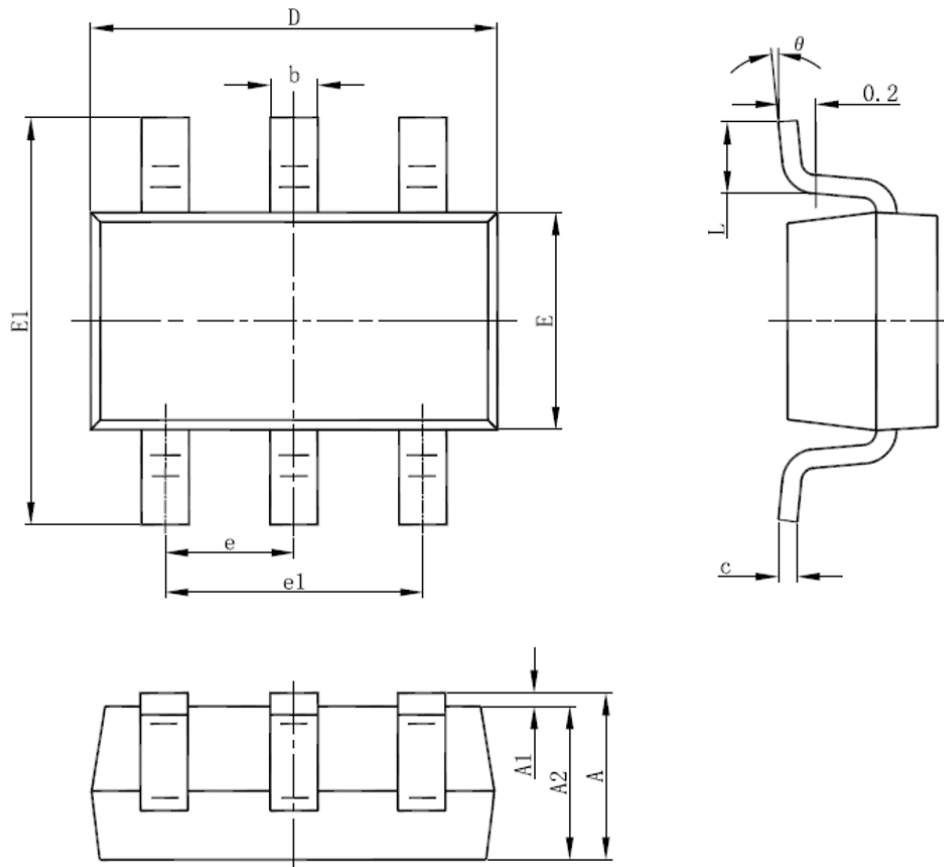
Selecting Soft-Start Capacitor

When selecting a soft-start capacitor, the delay time can be estimated as 0.2ms/nF. For PWM dimming, select $C < 2.2\text{nF}$ to eliminate its effect on the average LED current. Dimming Control NDP36501SE provides 1:2500 high-ratio PWM dimming. Apply a 100Hz to 20kHz square waveform to the EN/DIM pin. The average LED current is proportional to PWM duty cycle.

Layout Consideration

Pay careful attention to the PCB layout and component placement. RSENSE should be placed close to the IN pin and RS pin to minimize current sense error. The input loop—including input capacitor, Schottky diode, and MOSFET—should be as short as possible.

Package Outline Drawing



SYMBOL	MILLIMETER (UNIT: mm)		
	MIN	NOR	MAX
A	-	-	1.35
A1	0.04	-	0.15
A2	1.00	1.10	1.20
b	0.3	0.4	0.5
c	0.1	0.15	0.2
D	2.72	2.92	3.12
E	1.40	1.60	1.80
E1	2.60	2.80	3.0
e	0.95BSC		
e1	1.90BSC		
L	0.30	-	0.60
θ	0	-	8°

Notes

1. Use millimeters as the primary measurement
2. Dimensioning and tolerances conform to ASME Y14.5M. – 1994
3. These dimensions do not include mold flash or protrusions.
4. Mold flash or protrusions shall not exceed 0.15mm

Disclaimer

ALL PRODUCT, PRODUCT SPECIFICATIONS AND DATA ARE SUBJECT TO CHANGE WITHOUT NOTICE TO IMPROVE RELIABILITY, FUNCTION OR DESIGN OR OTHERWISE.

Jiangsu Deep-Pool Microelectronics Co., Ltd, and its affiliates, agents, employees, as well as all persons acting on its or their behalf (collectively, "**Deep-Pool**"), disclaim any and all liability for any errors, inaccuracies or incompleteness contained in any datasheet or in any other disclosure relating to any product.

Deep-Pool makes no warranty, representation or guarantee regarding the suitability of the products for any particular purpose or the continuing production of any product. To the maximum extent permitted by applicable law, Deep-Pool disclaims (a) any and all liability arising out of the application or use of any product, (b) any and all liability, including without limitation special, consequential or incidental damages, and (c) any and all implied warranties, including warranties of fitness for particular purpose, non-infringement and merchantability.

Statements regarding on the suitability of products for certain types of applications are based on Deep-Pool's knowledge of typical requirements that are often placed on Deep-Pool products in generic applications. Such statements are not binding statements about the suitability of products for a particular application. It is the customer's responsibility to validate that a particular product with the properties described in the product specification is suitable for use in a particular application. Parameters provided in datasheets or specifications may vary in different applications and performance may vary over time. All operating parameters, including typical parameters, must be validated for each customer application by the customer's technical experts. Product specifications should not be expanded or otherwise modify Deep-Pool's terms and conditions of purchase, including but not limited to the warranty announced therein.

Unless expressly stated in writing, Deep-Pool products are not designed for use in medical, life-saving, or life-sustaining applications or for any other application in which the failure of product could result in personal injury or death. Customers who use or sell Deep-Pool products not expressly indicated for use in such applications do so at their own risk. Please contact authorized Deep-Pool personnel to obtain written terms and conditions regarding products designed for such applications.