

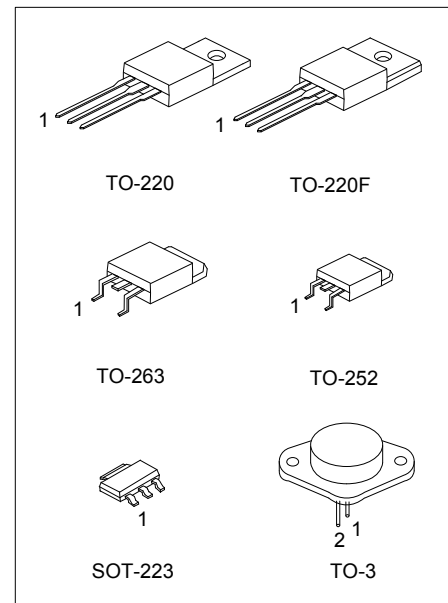
HIGH CURRENT 1.3V TO 37V ADJUSTABLE VOLTAGE REGULATOR

■ DESCRIPTION

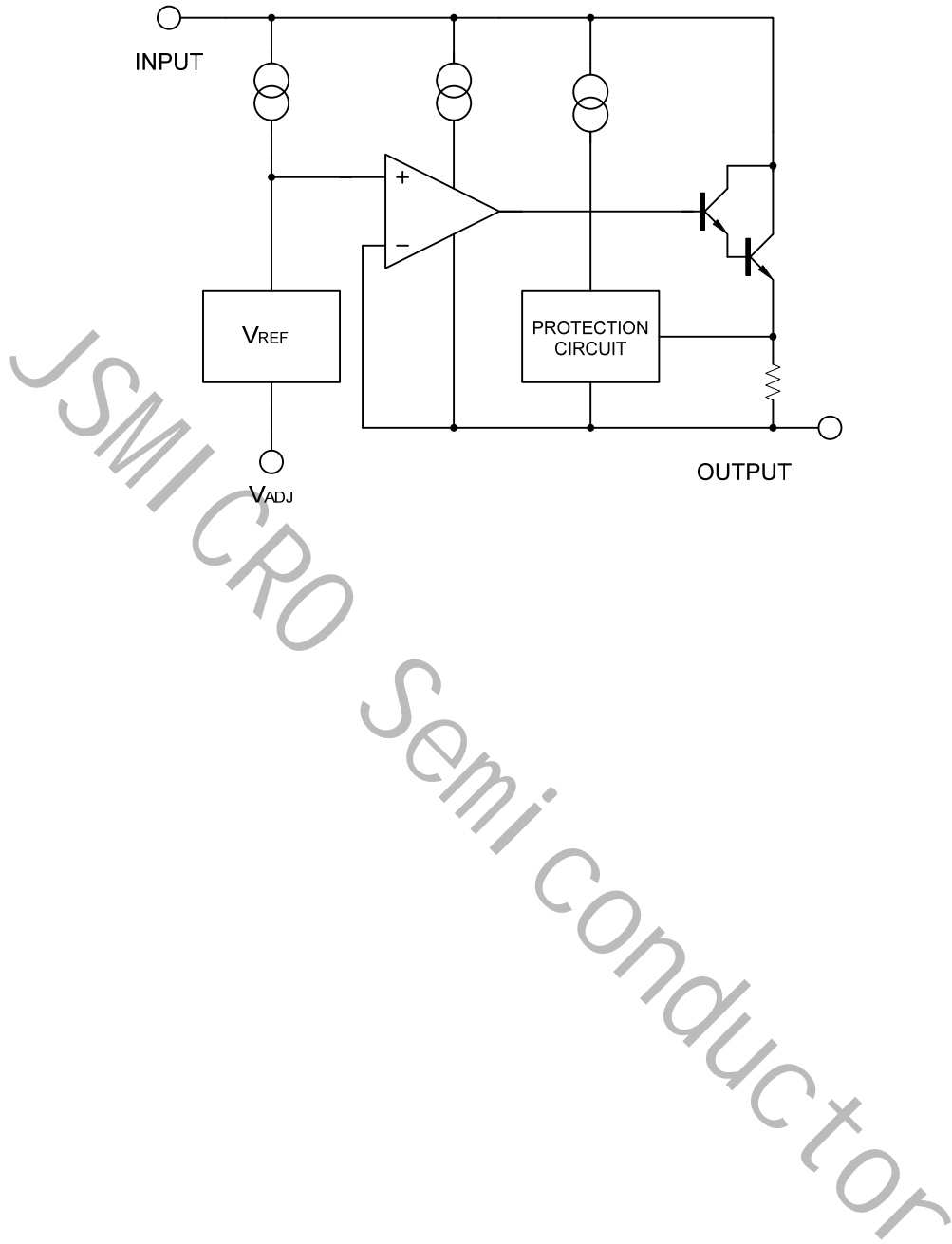
The **LM317** is an adjustable 3-terminal positive voltage regulator, designed to supply 1A of output current with voltage adjustable from 1.3V ~ 37V.

■ FEATURES

- *Output voltage adjustable from 1.3V ~ 37V
- *Output current in excess of 1A
- *Internal short circuit protection.
- *Internal over temperature protection.
- *Output transistor safe area compensation



■ BLOCK DIAGRAM



■ ABSOLUTE MAXIMUM RATINGS (Ta=25°C, unless otherwise specified)

PARAMETER	SYMBOL	RATINGS	UNIT
Input - Output Voltage Difference	$V_{IN}-V_{OUT}$	40	V
Power Dissipation	P_D	Internal limited	
Junction Temperature	T_J	+125	°C
Operating Temperature	T_{OPR}	-40 ~ +85	°C
Storage Temperature	T_{STG}	-40 ~ +150	°C

Note:1. Absolute maximum ratings are stress ratings only and functional device operation is not implied. The device could be damaged beyond Absolute maximum ratings.

■ THERMAL DATA

PARAMETER	SYMBOL	RATINGS	UNIT
Junction-to-Ambient	TO-252	112	°C/W
	TO-220/TO-220F	54	
	TO-263	64	
	SOT-223	165	
	TO-3	35	
Junction-to-Case	TO-252	12	°C/W
	TO-220/TO-220F	5	
	TO-263	5	
	SOT-223	23	
	TO-3	3	

■ ELECTRICAL CHARACTERISTICS

($V_{IN}-V_{OUT}=5V$, $I_{OUT}=10mA$, $T_a=25^\circ C$, unless otherwise specified.)

PARAMETER	SYMBOL	TEST CONDITIONS	MIN	TYP	MAX	UNIT
Line Regulation	$\Delta V_{OUT}/V_{OUT}$	$3V \leq V_{IN}-V_{OUT} \leq 40V$		0.01	0.04	%/V
Load Regulation	ΔV_{OUT}	$10mA \leq I_{OUT} \leq 1A$, $V_{OUT} \leq 5V$		5	25	mV
		$V_{OUT} \geq 5V$		0.1	0.5	%
Adjustable Pin Current	I_{ADJ}			50	100	μA
Adjustable Pin Current Change	ΔI_{ADJ}	$3V \leq V_{IN}-V_{OUT} \leq 40V$, $10mA \leq I_{OUT} \leq 1A$, $P_D \leq 20W$		0.2	5	μA
Reference Voltage	V_{REF}	$3V \leq V_{IN}-V_{OUT} \leq 40V$, $10mA \leq I_{OUT} \leq 1A$, $P_D \leq 20W$	1.20	1.25	1.30	V
Temperature Stability		$T_{MIN} \leq T_J \leq T_{MAX}$		0.7		%/ V_{OUT}
Minimum Load Current for Regulation	$I_{L(MIN)}$	$V_{IN}-V_{OUT}=40V$		3.5	10	mA
Maximum Output Current	$I_{O(MAX)}$	$V_{IN}-V_{OUT}=40V$, $P_D \leq 20W$	0.2	0.3		A
RMS Noise vs. %of V_{OUT}	eN	$10Hz \leq f \leq 10KHz$		0.003		%/ V_{OUT}
Ripple Rejection	RR	$V_{OUT}=10V$, $f=120Hz$	$C_{ADJ}=0$		65	dB
			$C_{ADJ}=10\mu F$	66	80	

Note: C_{ADJ} is connected between Adjust pin and Ground.

■ APPLICATION CIRCUITS

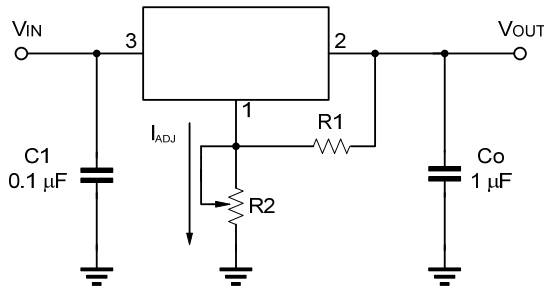


Fig.1 Programmable voltage regulator

$$V_{OUT} = 1.25V * (1 + R2/R1) + I_{ADJ} * R2$$

C1 is required when regulator is located an appreciated distance from power supply. Co is needed to improve transient response.

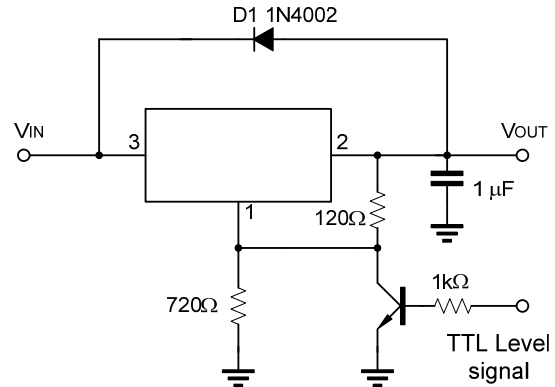


Fig.2 Regulator with On-off control

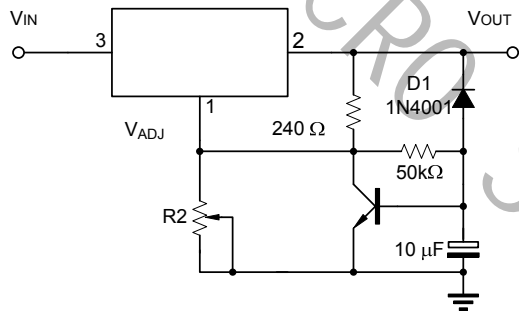
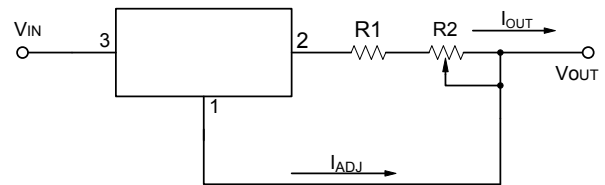


Fig.3 Soft Start Application



$$I_{O(MAX)} = \left(\frac{V_{REF}}{R1} \right) + I_{ADJ} = \frac{1.25V}{R1}$$

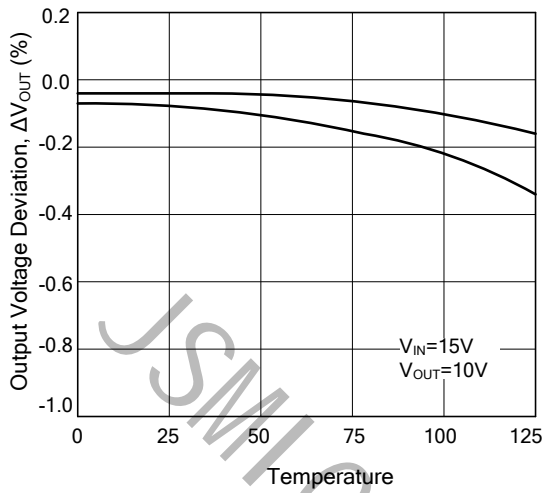
$$I_{O(MIN)} = \left(\frac{V_{REF}}{R1+R2} \right) + I_{ADJ} = \frac{1.25V}{R1+R2}$$

$$5mA < I_{OUT} < 100mA$$

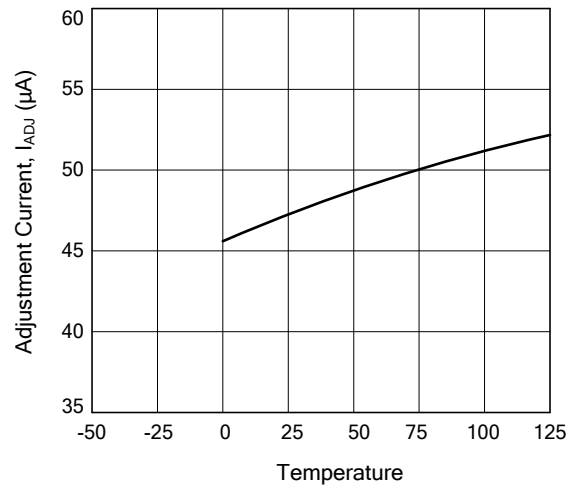
Fig.4 Constant Current Application

■ TYPICAL CHARACTERISTICS

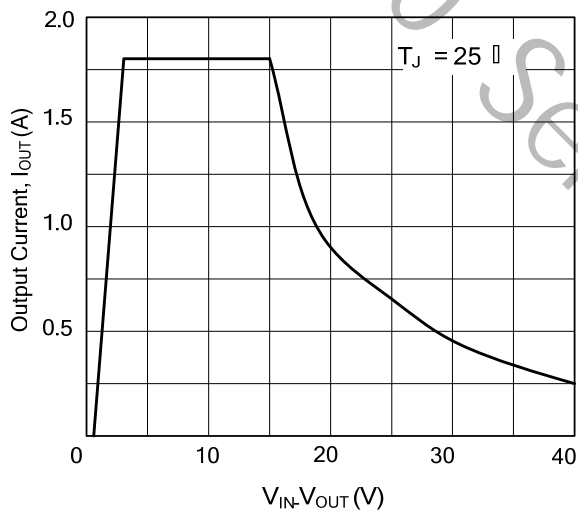
Load Regulation vs. temperature



Adjustment Current vs. Temperature



Current Limit



Minimum Operating Current

