

Specifications:

规格:

Voltage rating: 100V AC/DC  
 额定电压: 100V AC/DC  
 Current rating: 3A AC/DC  
 额定电流: 3A AC/DC  
 Withstanding voltage: 1000V AC/minute  
 耐受电压: 1000V AC/分钟  
 Temperature range: -40°C - +85°C  
 温度范围: -40°C - +85°C  
 Insulation resistance: 1000MΩ min  
 绝缘电阻: 1000MΩ Min  
 Contact resistance: 20mΩ Max  
 接触电阻: 20mΩ Max

K 205001 W V - XX - PT SN  
 ① ② ③ ④ ⑤ ⑥ ⑦

- 1.K-XKBTEK-Car Connector
- 2.XKB Series No
- 3.Categoiy:W-Wafer
- 4.Welding Board Angle:V-Straight 180°
- 5.Row No.Pin No:XX-02 Pin
- 6.Material:PT-PBT
- 7.Plating:SN-Tin Plating

|                   |          |                 |                      |
|-------------------|----------|-----------------|----------------------|
| K205001WV-XX-PTSN | PBT      | Phosphor Bronze | K205001HM            |
| PART NO           | Material | Material(Pin)   | Suitable XKB Housing |

|      |  |             |   |
|------|--|-------------|---|
| DSND |  | SCALE: N/A  | MODEL TYPE:<br>2.0mm automotive connector |
| DWN  |  | VIEW:       | PART NO.:<br>K205001WV-XX-PTSN            |
| CHKD |  | UNIT: mm/in | DWG NO.:<br>X-K205001WV-XX-PTSN           |
| APPD |  | SIZE: A4    | WEIGHT SHEET REVISION                     |
|      |  |             | 1/1 A0                                    |



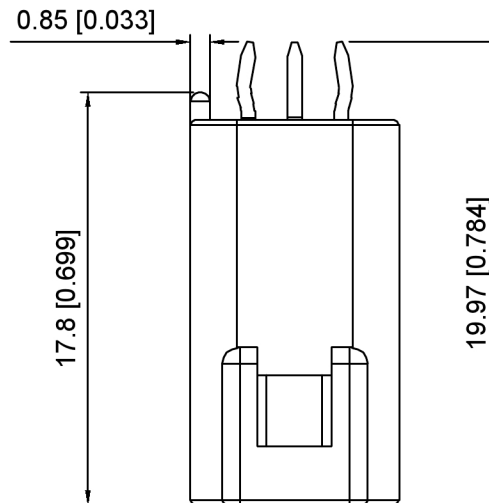
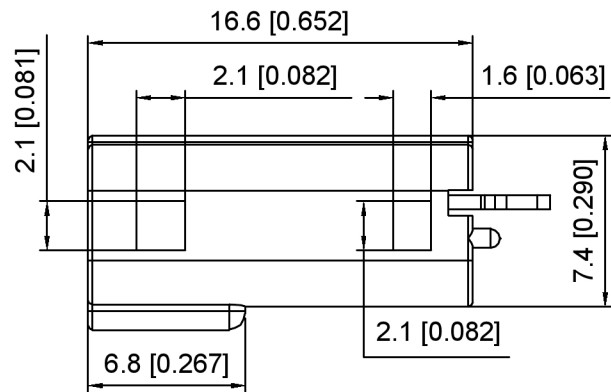
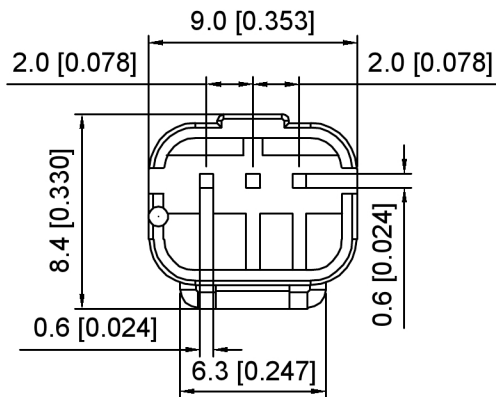
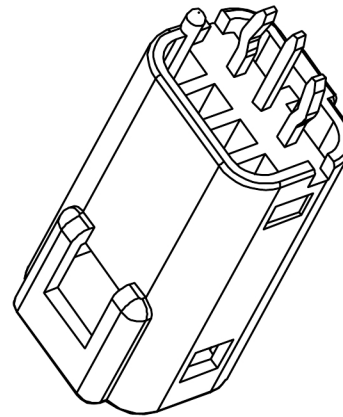
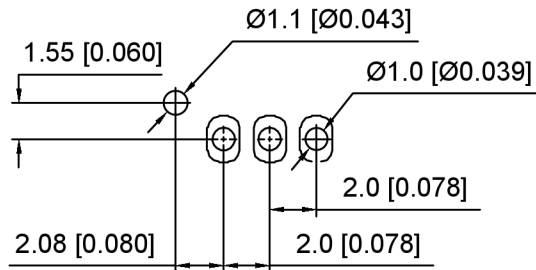
XKB INDUSTRIAL PRECISION CO., LIMITED

|             |      |
|-------------|------|
| ANGLAR      | ±5°  |
| L ≤ 4       | ±0.2 |
| 4 < L ≤ 16  | ±0.3 |
| 16 < L ≤ 63 | ±0.4 |
| L > 63      | ±0.5 |

UNSPECIFIED TOLERANCES

| MARK | DESCRIPTION | DATE | REVISED | APPROVED |
|------|-------------|------|---------|----------|
| ΔX   |             |      |         |          |
| ΔX   |             |      |         |          |
| ΔX   |             |      |         |          |

REVISIONS



Specifications:

规格:

- Voltage rating: 100V AC/DC
- 额定电压: 100V AC/DC
- Current rating: 3A AC/DC
- 额定电流: 3A AC/DC
- Withstanding voltage: 1000V AC/minute
- 耐受电压: 1000V AC/分钟
- Temperature range: -40°C-+85°C
- 温度范围: -40°C-+85°C
- Insulation resistance: 1000MΩ min
- 绝缘电阻: 1000MΩ Min
- Contact resistance: 20mΩ Max
- 接触电阻: 20mΩ Max

**K 205001 W V - XX - PT SN**  
 ① ② ③ ④ ⑤ ⑥ ⑦

- 1.K-XKBTEK-Car Connector
- 2.XKB Series No
- 3.Category:W-Wafer
- 4.Welding Board Aagle:V-Straight 180°
- 5.Row No.Pin No:XX-03 Pin
- 6.Material:PT-PBT
- 7.Plating:SN-Tin Plating

|                   |          |                 |                      |
|-------------------|----------|-----------------|----------------------|
| K205001WW-XX-PTSN | PBT      | Phosphor Bronze | K205001HM            |
| PART NO           | Material | Material(Pin)   | Suitable XKB Housing |

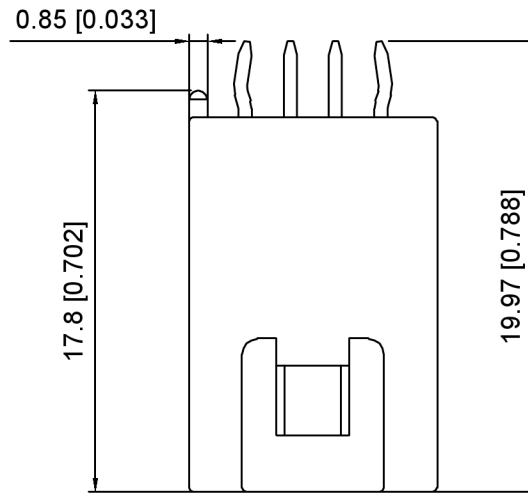
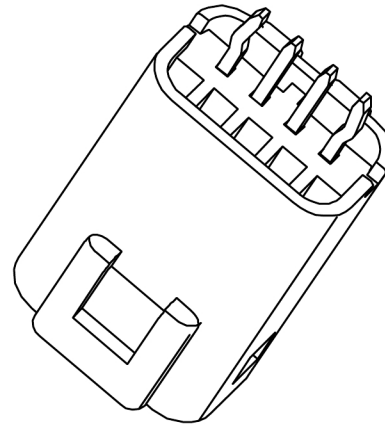
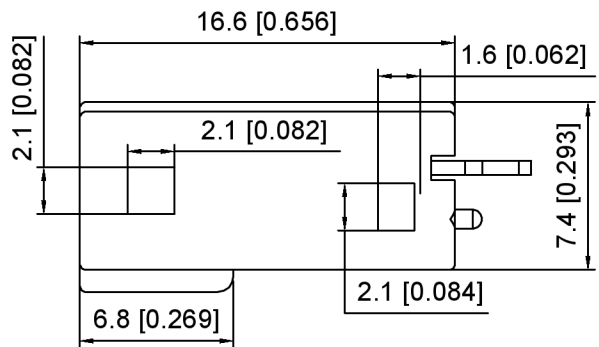
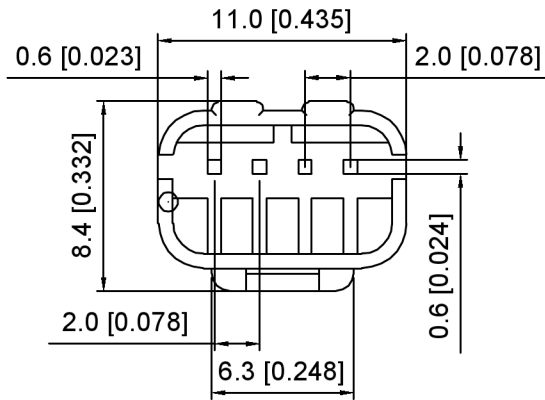
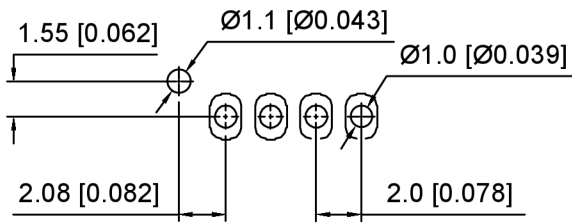
|      |             |   |
|------|-------------|---|
| DSND | SCALE: N/A  | MODEL TYPE:<br>2.0mm automotive connector |
| DWN  | VIEW:       | PART NO.:<br>K205001WW-XX-PTSN            |
| CHKD | UNIT: mm/in | DWG NO.:<br>X-K205001WW-XX-PTSN           |
| APPD | SIZE: A4    | WEIGHT SHEET REVISION                     |



XKB INDUSTRIAL PRECISION CO., LIMITED

|             |      |
|-------------|------|
| ANGULAR     | ±5°  |
| L ≤ 4       | ±0.2 |
| 4 < L ≤ 16  | ±0.3 |
| 16 < L ≤ 63 | ±0.4 |
| L > 63      | ±0.5 |

UNSPECIFIED TOLERANCES



Specifications:

规格:

Voltage rating: 100V AC/DC  
 额定电压: 100V AC/DC  
 Current rating: 3A AC/DC  
 额定电流: 3A AC/DC  
 Withstanding voltage: 1000V AC/minute  
 耐受电压: 1000V AC/分钟  
 Temperature range: -40°C +85°C  
 温度范围: -40°C +85°C  
 Insulation resistance: 1000MΩ min  
 绝缘电阻: 1000MΩ Min  
 Contact resistance: 20mΩ Max  
 接触电阻: 20mΩ Max

K 205001 W V - XX - PT SN  
 ① ② ③ ④ ⑤ ⑥ ⑦

- 1.K-XKBTEK-Car Connector
- 2.XKB Series No
- 3.Categoiy:W-Wafer
- 4.Welding Board Angle:V-Straight 180°
- 5.Row No.Pin No:XX-04 Pin
- 6.Material:PT-PBT
- 7.Plating:SN-Tin Plating

|                   |          |                 |                      |
|-------------------|----------|-----------------|----------------------|
| K205001WW-XX-PTSN | PBT      | Phosphor Bronze | K205001HM            |
| PART NO           | Material | Material(Pin)   | Suitable XKB Housing |

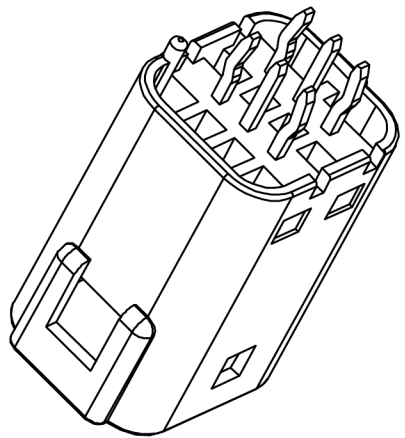
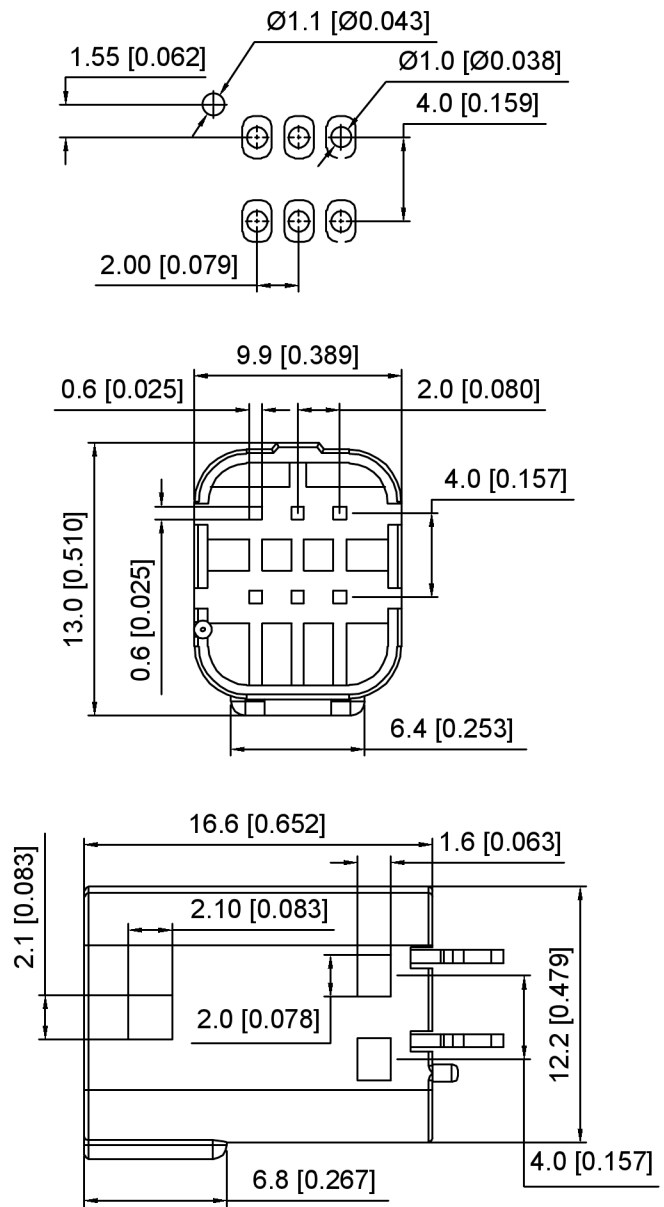
|      |             |   |
|------|-------------|---|
| DSND | SCALE: N/A  | MODEL TYPE:<br>2.0mm automotive connector |
| DWN  | VIEW:       | PART NO.:<br>K205001WW-XX-PTSN            |
| CHKD | UNIT: mm/in | DWG NO.:<br>X-K205001WW-XX-PTSN           |
| APPD | SIZE: A4    |   |

|           |             |      |         |          |                        |      |
|-----------|-------------|------|---------|----------|------------------------|------|
|           |             |      |         |          | ANGLAR                 | ±5°  |
| ΔX        |             |      |         |          | L ≤ 4                  | ±0.2 |
| ΔX        |             |      |         |          | 4 < L ≤ 16             | ±0.3 |
| ΔX        |             |      |         |          | 16 < L ≤ 63            | ±0.4 |
| MARK      | DESCRIPTION | DATE | REVISED | APPROVED | L > 63                 | ±0.5 |
| REVISIONS |             |      |         |          | UNSPECIFIED TOLERANCES |      |



XKB INDUSTRIAL PRECISION CO., LIMITED

|        |       |          |
|--------|-------|----------|
| WEIGHT | SHEET | REVISION |
|        | 1/1   | A0       |



Specifications:  
 规格:  
 Voltage rating: 100V AC/DC  
 额定电压: 100V AC/DC  
 Current rating: 3A AC/DC  
 额定电流: 3A AC/DC  
 Withstanding voltage: 1000V AC/minute  
 耐受电压: 1000V AC/分钟  
 Temperature range: -40°C-+85°C  
 温度范围: -40°C-+85°C  
 Insulation resistance: 1000MΩ min  
 绝缘电阻: 1000MΩ Min  
 Contact resistance: 20mΩ Max  
 接触电阻: 20mΩ Max

K 205001 W V - XX - PT SN  
 ① ② ③ ④ ⑤ ⑥ ⑦

- 1.K-XKBTEK-Car Connector
- 2.XKB Series No
- 3.Categori:W-Wafer
- 4.Welding Board Angle:V-Straight 180°
- 5.Row No.Pin No:XX-06 Pin
- 6.Material:PT-PBT
- 7.Plating:SN-Tin Plating

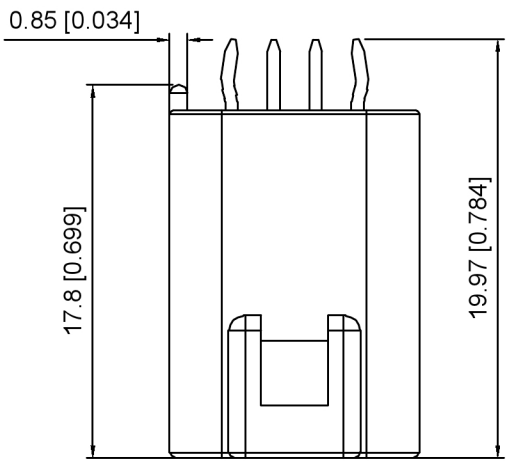
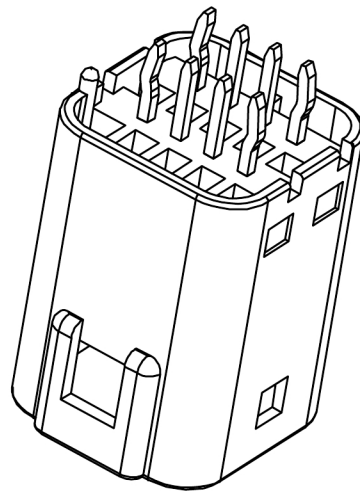
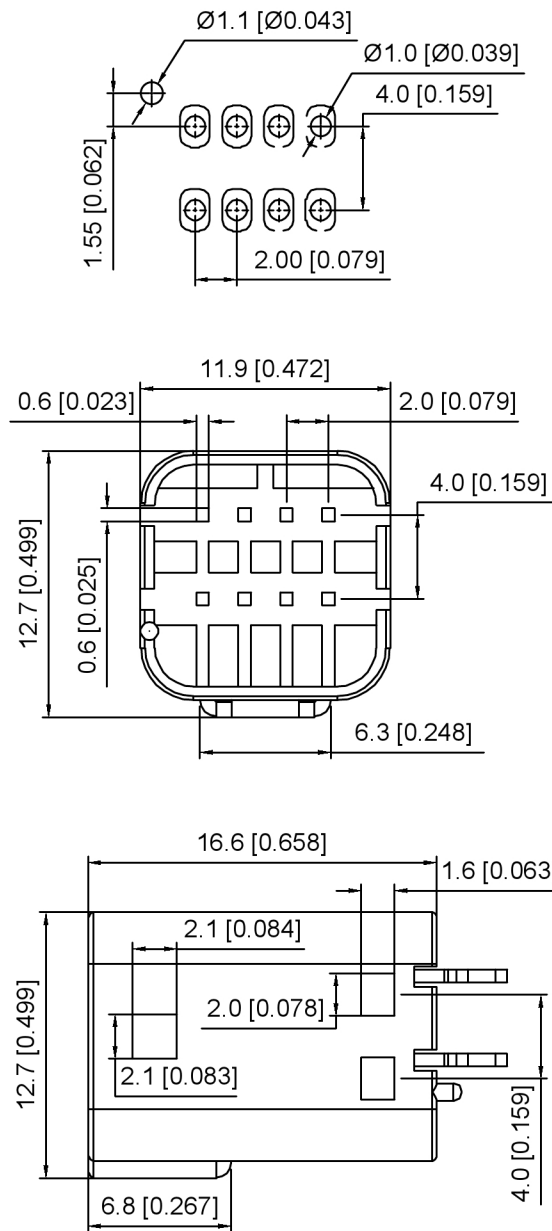
|                   |          |                 |                      |
|-------------------|----------|-----------------|----------------------|
| K205001WV-XX-PTSN | PBT      | Phosphor Bronze | K205001HM            |
| PART NO           | Material | Material(Pin)   | Suitable XKB Housing |

|      |  |             |   |
|------|--|-------------|---|
| DSND |  | SCALE: N/A  | MODEL TYPE:<br>2.0mm automotive connector |
| DWN  |  | VIEW:       | PART NO.:<br>K205001WV-XX-PTSN            |
| CHKD |  | UNIT: mm/in | DWG NO.:<br>X-K205001WV-XX-PTSN           |
| APPD |  | SIZE: A4    |   |
|      |  |             | WEIGHT SHEET REVISION                     |
|      |  |             | 1/1 A0                                    |

|      |             |      |         |          |                        |      |  |
|------|-------------|------|---------|----------|------------------------|------|--|
|      |             |      |         |          | ANGLAR                 | ±5°  |  |
| ΔX   |             |      |         |          | L ≤ 4                  | ±0.2 |  |
| ΔX   |             |      |         |          | 4 < L ≤ 16             | ±0.3 |  |
| ΔX   |             |      |         |          | 16 < L ≤ 63            | ±0.4 |  |
| MARK |             |      |         |          | L > 63                 | ±0.5 |  |
|      | DESCRIPTION | DATE | REVISED | APPROVED | UNSPECIFIED TOLERANCES |      |  |
|      | REVISIONS   |      |         |          |                        |      |  |



XKB INDUSTRIAL PRECISION CO., LIMITED



Specifications:  
 规格:  
 Voltage rating: 100V AC/DC  
 额定电压: 100V AC/DC  
 Current rating: 3A AC/DC  
 额定电流: 3A AC/DC  
 Withstanding voltage: 1000V AC/minute  
 耐受电压: 1000V AC/分钟  
 Temperature range: -40°C-+85°C  
 温度范围: -40°C-+85°C  
 Insulation resistance: 1000MΩ min  
 绝缘电阻: 1000MΩ Min  
 Contact resistance: 20mΩ Max  
 接触电阻: 20mΩ Max

K 205001 W V - XX - PT SN  
 ① ② ③ ④ ⑤ ⑥ ⑦

- 1.K-XKBTEK-Car Connector
- 2.XKB Series No
- 3.Categoiy:W-Wafer
- 4.Welding Board Angle:V-Straight 180°
- 5.Row No.Pin No:XX-08 Pin
- 6.Material:PT-PBT
- 7.Plating:SN-Tin Plating

|                   |          |                 |                      |
|-------------------|----------|-----------------|----------------------|
| K205001WV-XX-PTSN | PBT      | Phosphor Bronze | K205001HM            |
| PART NO           | Material | Material(Pin)   | Suitable XKB Housing |

|      |             |   |
|------|-------------|---|
| DSND | SCALE: N/A  | MODEL TYPE:<br>2.0mm automotive connector |
| DWN  | VIEW:       | PART NO.:<br>K205001WV-XX-PTSN            |
| CHKD | UNIT: mm/in | DWG NO.:<br>X-K205001WV-XX-PTSN           |
| APPD | SIZE: A4    | WEIGHT SHEET REVISION                     |
|      |             | 1/1 A0                                    |

|           |             |      |         |          |                        |      |
|-----------|-------------|------|---------|----------|------------------------|------|
|           |             |      |         |          | ANGLAR                 | ±5°  |
| ΔX        |             |      |         |          | L ≤ 4                  | ±0.2 |
| ΔX        |             |      |         |          | 4 < L ≤ 16             | ±0.3 |
| ΔX        |             |      |         |          | 16 < L ≤ 63            | ±0.4 |
| MARK      |             |      |         |          | L > 63                 | ±0.5 |
|           | DESCRIPTION | DATE | REVISED | APPROVED | UNSPECIFIED TOLERANCES |      |
| REVISIONS |             |      |         |          |                        |      |



XKB INDUSTRIAL PRECISION CO., LIMITED