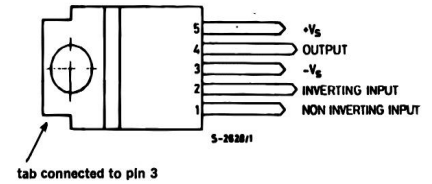
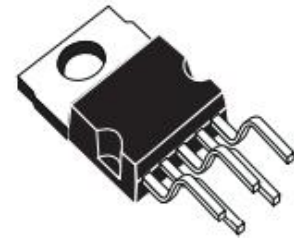


## DESCRIPTION

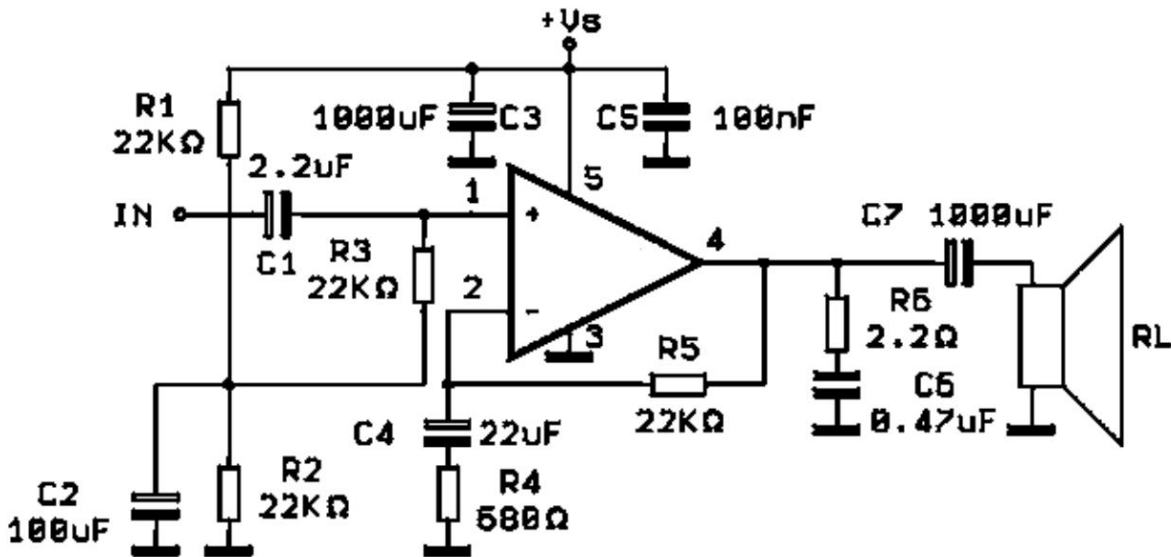
The TDA2030A is a monolithic integrated circuit in Pentawatt package, intended for use as an audio class AB audio amplifier.

Thanks to its high power capability the TDA2030A is able to provide up to 35W true rms power into 4ohm load@THD=10%, $V_S=36V$ , $f=1KHz$  and up to 32W into 8ohm load@THD=10%, $V_S=44V$ , $f=1KHz$ . Moreover, the TDA2030A delivers typically 50W music power into 4ohm load over 1 sec at  $V_S=22.5V$ , $f=1KHz$ .

The high power and very low harmonic and crossover distortion(THD=0.05%typ, @ $V_S=44V$ , $P_O=0.1$ to15W, $R_L=8ohm$ , $f=100Hz$ to 15KHz make the device most suitable for both HiFi and high class TV sets.)



## TYPICAL APPLICATION



**THERMAL DATA**

Symbol	Parameter	Value	Unit
Rth (j-case)	Thermal Resistance Junction-case Max	3	°C/W

**ABSOLUTE MAXIMUM RATINGS**

Symbol	Parameter	Value	Unit
Vs	Supply Voltage	± 25	V
Vi	Input Voltage	Vs	
Vi	Differential Input Voltage	± 15	V
Io	Peak Output Current (internally limited)	4.5	A
Ptot	Total Power Dissipation at Tcase = 90 °C	25	W
Tstg, Tj	Storage and Junction Temperature	- 40 to + 150	°C

**ELECTRICAL CHARACTERISTICS**

(Refer to the test circuit, VS = ± 18V, Tamb = 25°C unless otherwise specified)

Symbol	Parameter	Test Conditions	Min.	Typ.	Max.	Unit
Vs	Supply Voltage		± 4.5		± 25	V
Id	Quiescent Drain Current			26	35	mA
Ib	Input Bias Current	VS = ± 22V		0.2	2	µA
Vos	Input Offset Voltage	VS = ± 22V		± 2	± 20	mV
Ios	Input Offset Current			± 20	±200	nA
PO	Output Power	d = 0.5%, Gv = 26dB f = 40 to 15KHz RL = 4Ω	24	28		W
		RL = 8Ω		18		W
		VS = ± 22V RL = 8Ω	22	25		W
BW	Power Bandwidth	Po = 15W RL = 4Ω		40		kHz
SR	Slew Rate			6		V/µsec
Gv	Open Loop Voltage Gain	f = 1kHz		80		dB
Gv	Closed Loop Voltage Gain	f = 1kHz	30	30.5	31	dB
d	Total Harmonic Distortion	Po = 0.1 to 14W RL = 4Ω		0.08		%
		f = 40 to 15KHz f = 1kHz		0.03		%
		Po = 0.1 to 9W f = 40 to 15000Hz RL = 8Ω		0.5		%
d2	Second Order CCIF Intermodulation Distortion			0.03		%
d3	Third Order CCIF Intermodulation Distortion			0.08		%
eN	Input Noise Voltage	B = Curve A		2		µV
		B = 22Hz to 22kHz		3	10	µV
iN	Input Noise Current	B = Curve A		50		pA
		B = 22Hz to 22kHz		80	200	pA
S/N	Signal to Noise Ratio	RL = 4Ω, Rg = 10kΩ, B = Curve A				
		PO = 15W		106		dB
		PO = 1W		94		dB
Ri	Input Resistance (pin 1)	(open loop) f = 1kHz	0.5	5		MΩ
SVR	Supply Voltage Rejection	RL = 4Ω, Rg = 22kΩ Gv = 26dB, f = 100 Hz		45		dB
Tj	Thermal Shut-down Junction			140		°C

Figure 1 : Single Supply Amplifier

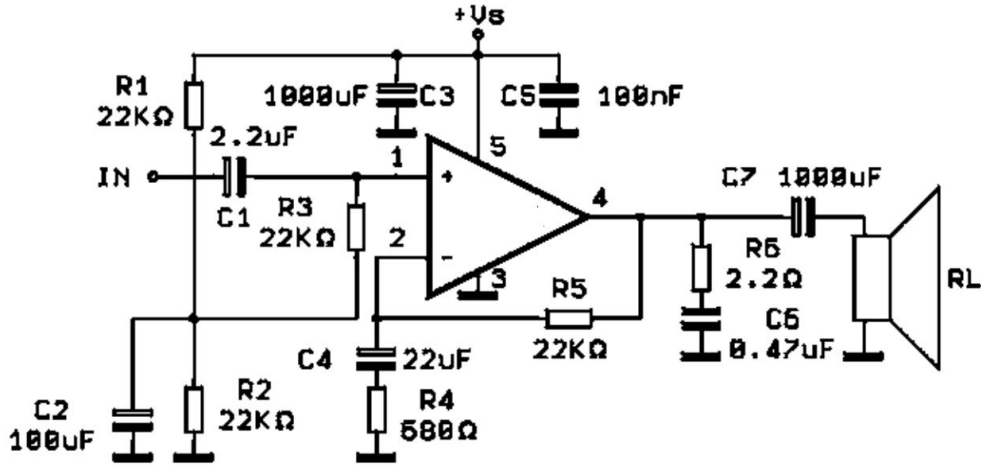


Figure 2 : Open Loop-frequency Response

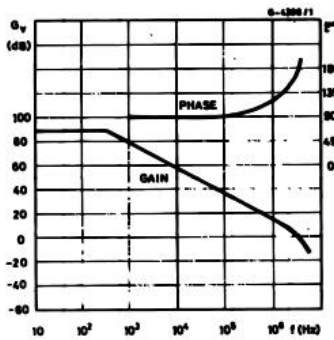


Figure 4 : Total Harmonic Distortion versus Output Power (test using rise filters)

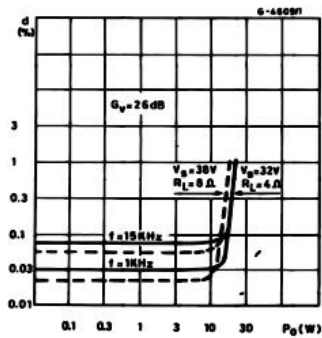


Figure 3 : Output Power versus Supply Voltage

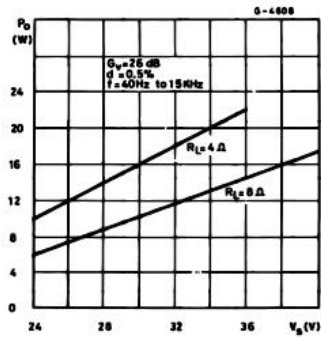


Figure 5 : Two Tone CCIF Intremodulation Distortion

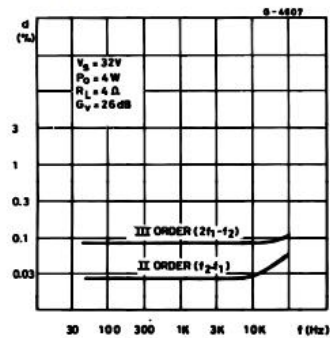


Figure 6 : Large Signal Frequency Response

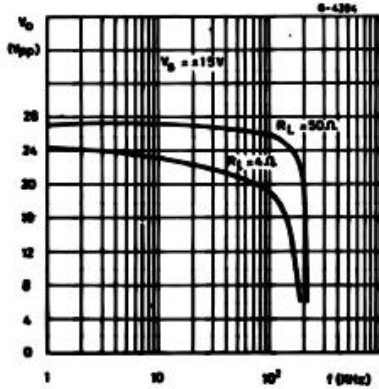


Figure 7 : Maximum Allowable Power Dissipation versus Ambient Temperature

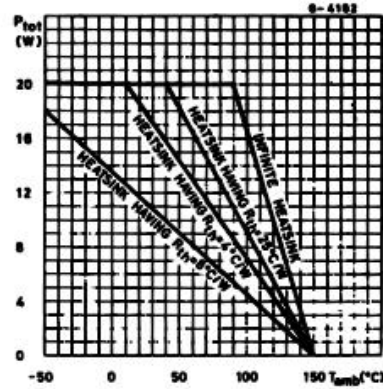


Figure 8 : Output Power versus Supply Voltage

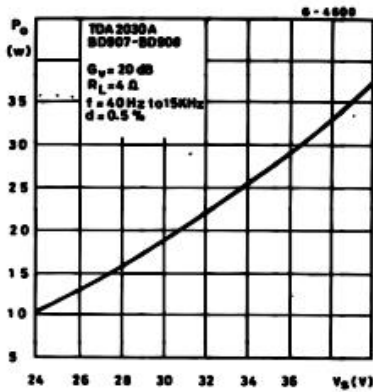


Figure 9 : Total Harmonic Distortion versus Output Power

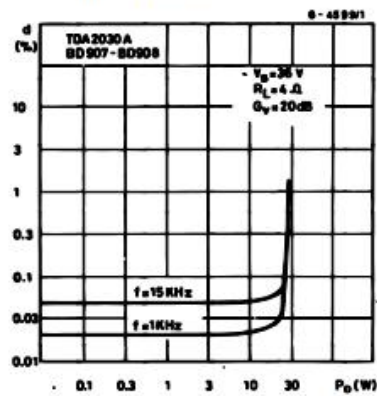


Figure 10 : Output Power versus Input Level

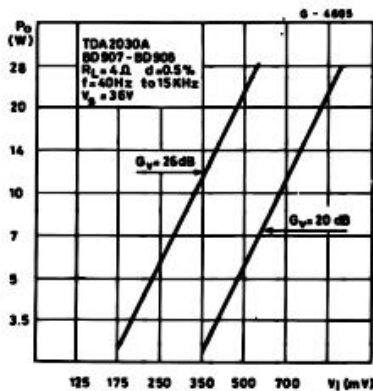


Figure 11 : Power Dissipation versus Output Power

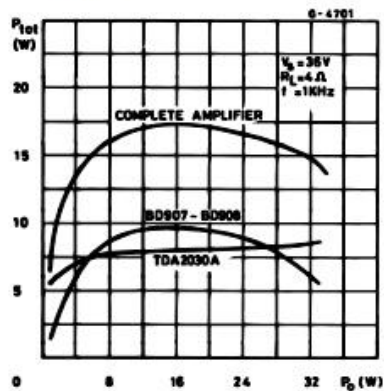


Figure 12 : Typical Amplifier with Spilt Power Supply

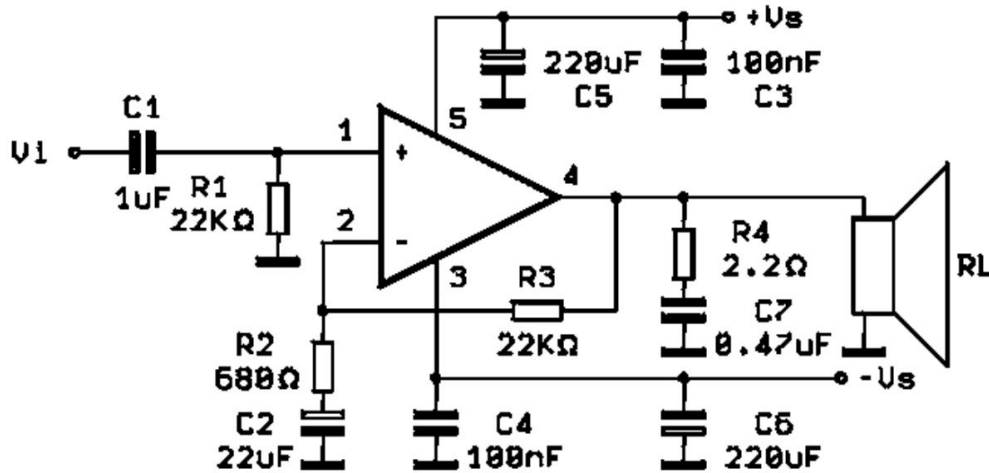
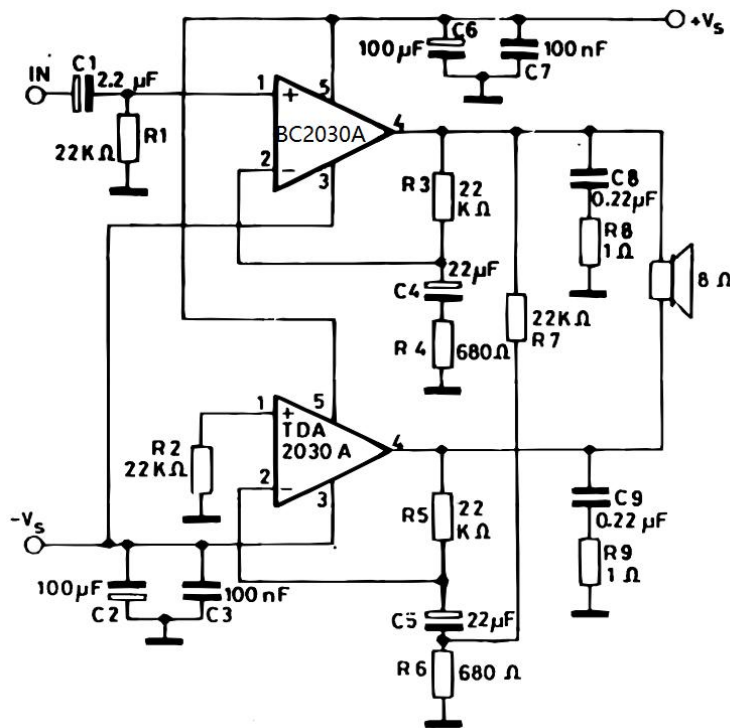


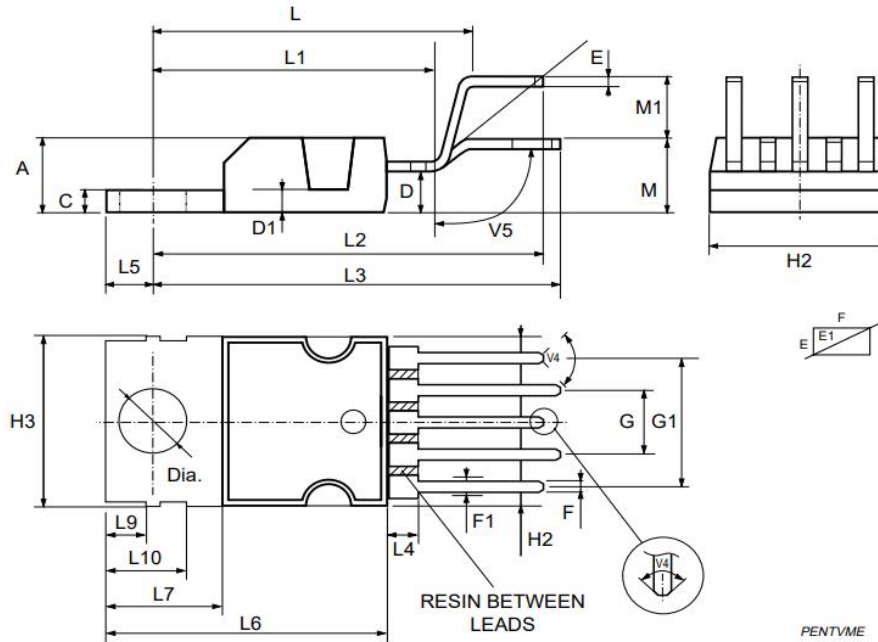
Figure 13 : Bridge Amplifier with Split Power Supply (PO = 34W, VS = ± 16V)



**Outline Drawing**

FZIP5

Unit: mm



PENTVME

DIM.	mm			inch		
	MIN.	TYP.	MAX.	MIN.	TYP.	MAX.
A			4.8			0.189
C			1.37			0.054
D	2.4		2.8	0.094		0.110
D1	1.2		1.35	0.047		0.053
E	0.35		0.55	0.014		0.022
E1	0.76		1.19	0.030		0.047
F	0.8		1.05	0.031		0.041
F1	1.0		1.4	0.039		0.055
G	3.2	3.4	3.6	0.126	0.134	0.142
G1	6.6	6.8	7.0	0.260	0.268	0.276
H2			10.4			0.409
H3	10.05		10.4	0.396		0.409
L	17.55	17.85	18.15	0.691	0.703	0.715
L1	15.55	15.75	15.95	0.612	0.620	0.628
L2	21.2	21.4	21.6	0.831	0.843	0.850
L3	22.3	22.5	22.7	0.878	0.886	0.894
L4			1.29			0.051
L5	2.6		3.0	0.102		0.118
L6	15.1		15.8	0.594		0.622
L7	6.0		6.6	0.236		0.260
L9	2.1		2.7	0.008		0.106
L10	4.3		4.8	0.17		0.189
M	4.23	4.5	4.75	0.167	0.178	0.187
M1	3.75	4.0	4.25	0.148	0.157	0.167
V4	40° (typ.)					
V5	90° (typ.)					
Dia	3.65		3.85	0.144		0.152