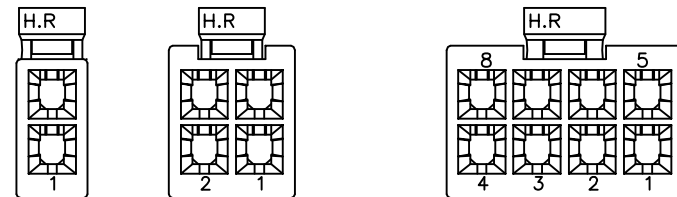
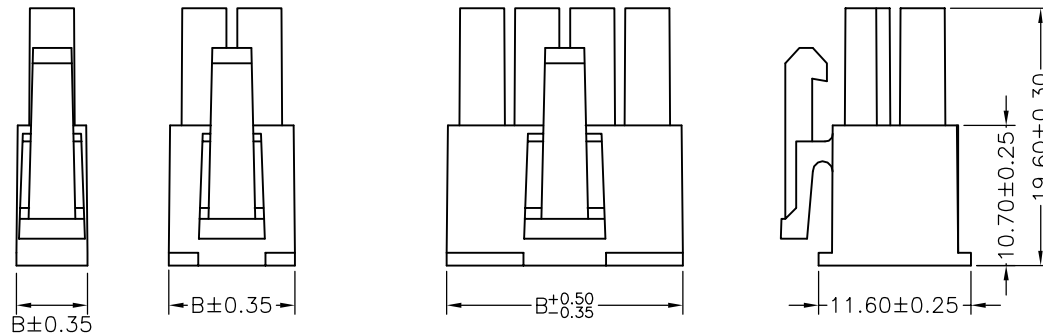


SPECIFICATIONS

Current Rating: 9A AC,DC
 Voltage Rating: 600V AC,DC
 Temperature Range: -25°C ~ +85°C
 Contact Resistance: 10mΩ Max
 Insulation Resistance: 1000MΩ Min
 Withstanding Voltage: 1500V AC/minute
 Material: Nylon 66,UL94V-0
 Color: Natural(White)

Ordering Information & Dimensions

PART NO.	Dimensions	
	A	B
C4255HF-2X01P-V0	---	5.70
C4255HF-2X02P-V0	4.20	9.60
C4255HF-2X03P-V0	8.40	13.80
C4255HF-2X04P-V0	12.60	18.00
C4255HF-2X05P-V0	16.80	22.20
C4255HF-2X06P-V0	21.00	26.40
C4255HF-2X07P-V0	25.20	30.60
C4255HF-2X08P-V0	29.40	34.80
C4255HF-2X09P-V0	33.60	39.00
C4255HF-2X10P-V0	37.80	43.20
C4255HF-2X11P-V0	42.00	47.40
C4255HF-2X12P-V0	46.20	51.60



2X01P

2X02P

				JOINT TECH ELECTRONIC IND. CO., LTD. JOY DAY INDUSTRIAL CO., LTD.	
		UNIT	SCALE	SHEET	TITLE:
		mm		1 of 1	4.20mm PITCH HOUSING-RECEPTACLE, MINI-FIT
		DRAWN BY		APPROVED BY	
		李勤		董正一	
		2006.06.07		2006.06.07	
A3	REVISE	2008.12.02	GENERAL TOLERANCE		DRAW NO. : C4255HF-2XNP-V0
A2	REVISE	2006.09.11			
A1	REVISE	2006.06.26			
A0	NEW RELEASE	2006.06.07			
REV.	DESCRIPTION	DATE	X. X±0.25	ANGLE±	REV. A3
			X. XX±0.15		
			X. XXX±0.05		