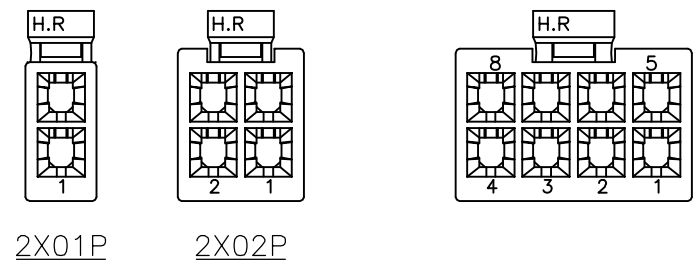
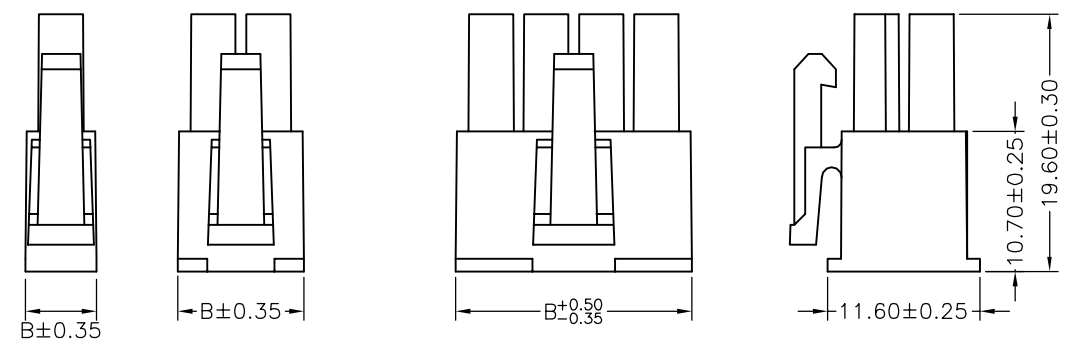


**SPECIFICATIONS**  
 Current Rating: 9A AC,DC  
 Voltage Rating: 600V AC,DC  
 Temperature Range: -25°C ~ +85°C  
 Contact Resistance: 10mΩ Max  
 Insulation Resistance: 1000MΩ Min  
 Withstanding Voltage: 1500V AC/minute  
 Material: Nylon 66,UL94V-2  
 Color: Natural(Translucent)

**Ordering Information & Dimensions**

PART NO.	Dimensions	
	A	B
C4255HF-2X01P	---	5.70
C4255HF-2X02P	4.20	9.60
C4255HF-2X03P	8.40	13.80
C4255HF-2X04P	12.60	18.00
C4255HF-2X05P	16.80	22.20
C4255HF-2X06P	21.00	26.40
C4255HF-2X07P	25.20	30.60
C4255HF-2X08P	29.40	34.80
C4255HF-2X09P	33.60	39.00
C4255HF-2X10P	37.80	43.20
C4255HF-2X11P	42.00	47.40
C4255HF-2X12P	46.20	51.60



				JOINT TECH ELECTRONIC IND. CO., LTD.	
				JOY DAY INDUSTRIAL CO., LTD.	
		UNIT	SCALE	SHEET	TITLE:
		mm		1 of 1	4.20mm PITCH HOUSING-RECEPTACLE, MINI -FIT
		DRAWN BY		APPROVED BY	
		李勤		董正一	
		2006.06.07		2006.06.07	
		GENERAL TOLERANCE			
A3	REVISE	2008.12.02			DRW NO. : C4255HF-2XNP
A2	REVISE	2006.09.11			
A1	REVISE	2006.06.26			
A0	NEW RELEASE	2006.06.07			
REV.	DESCRIPTION	DATE	X.X±0.25	ANGLE±	REV. A3