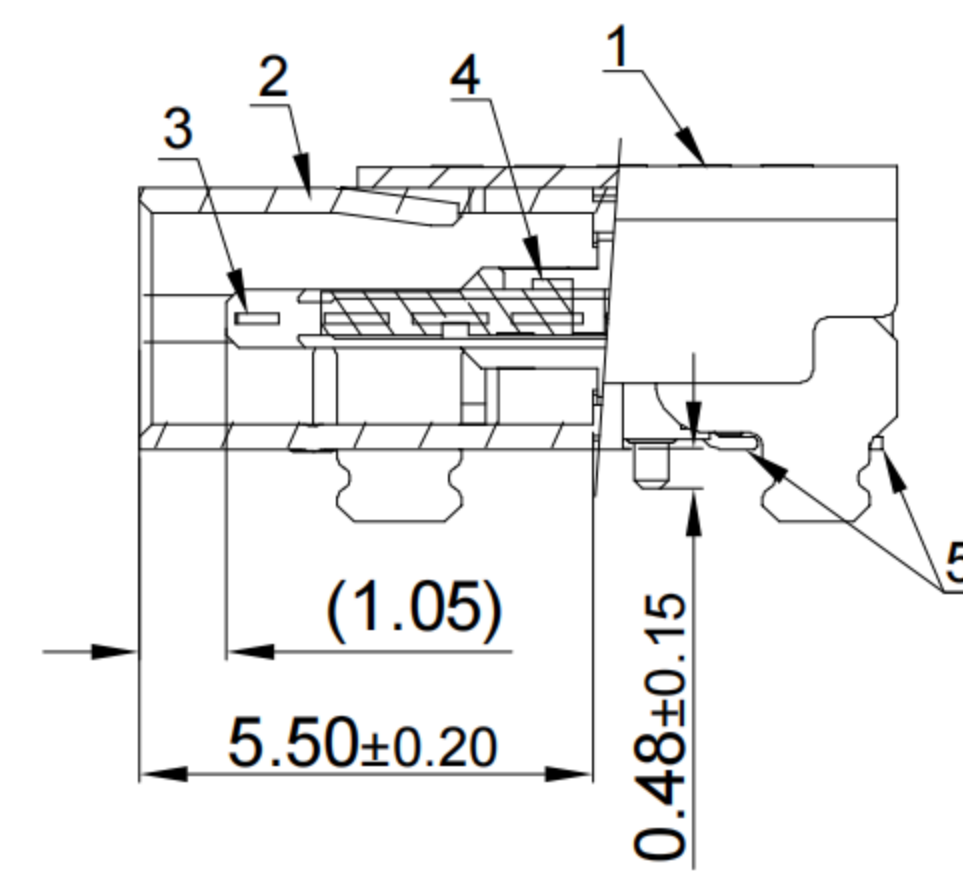
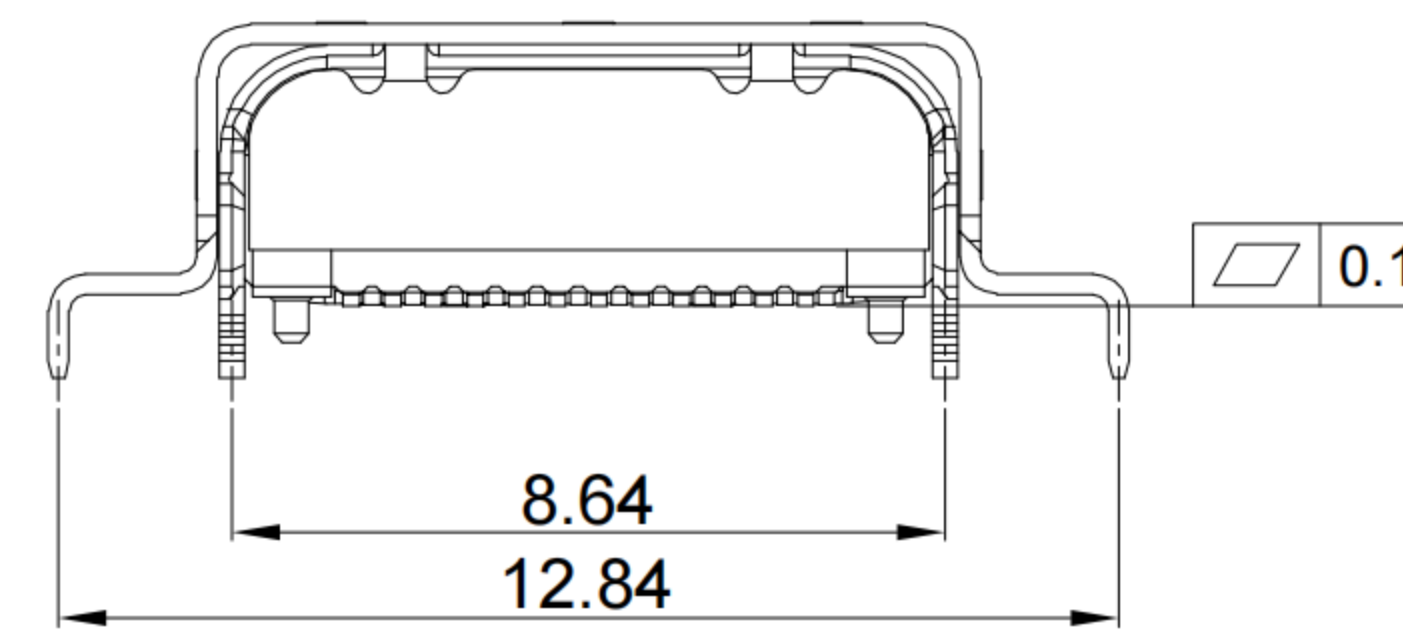
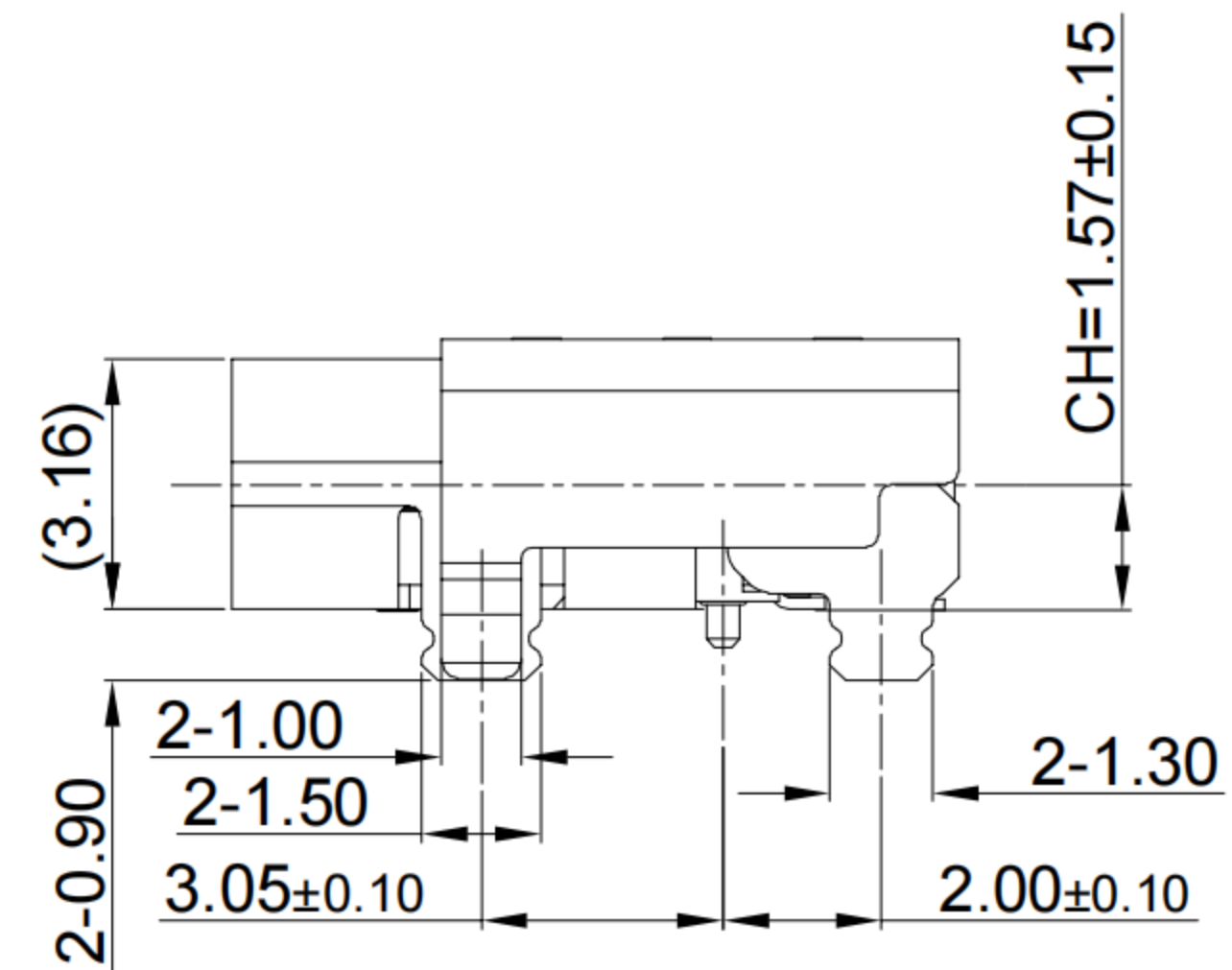
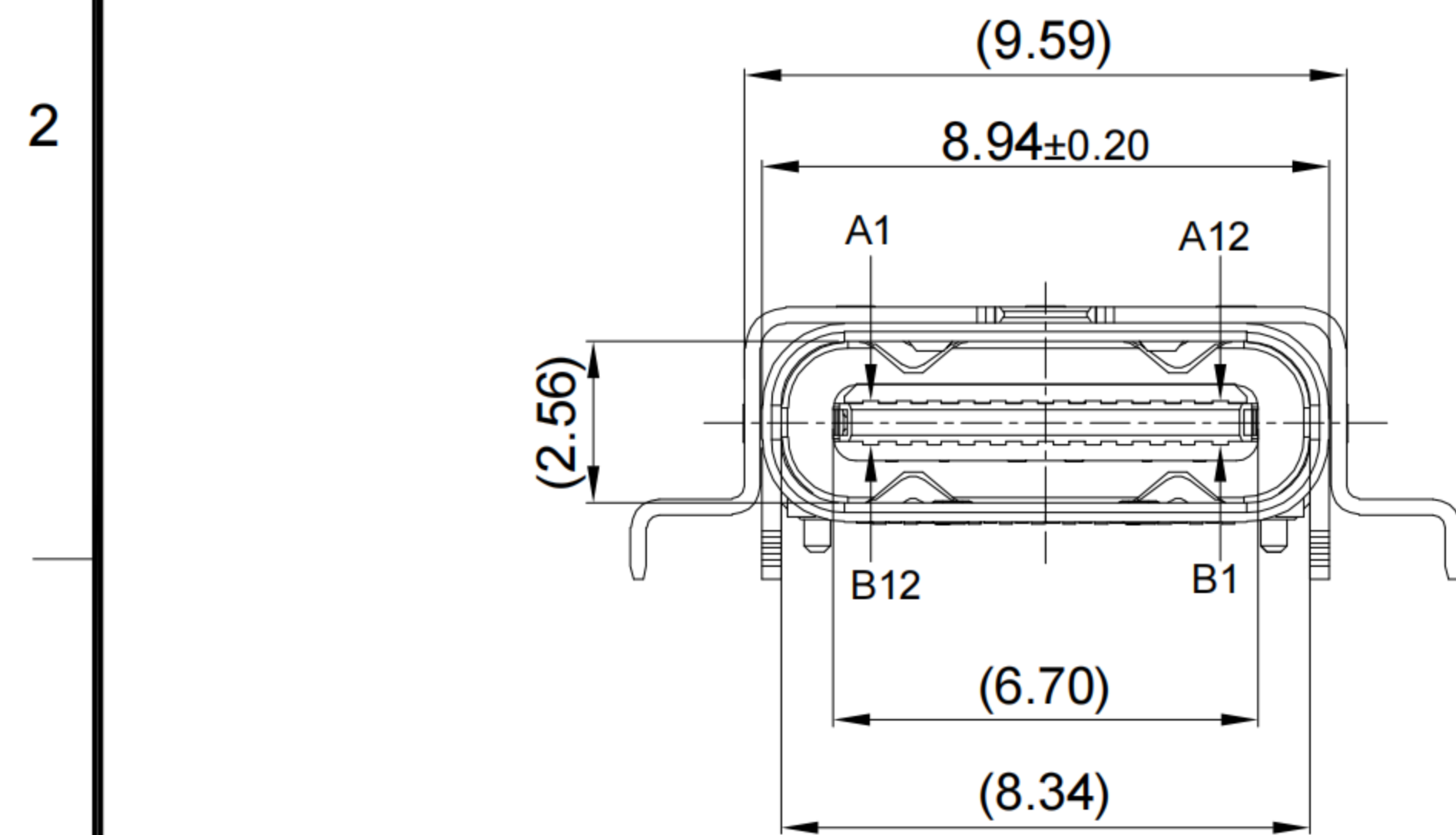
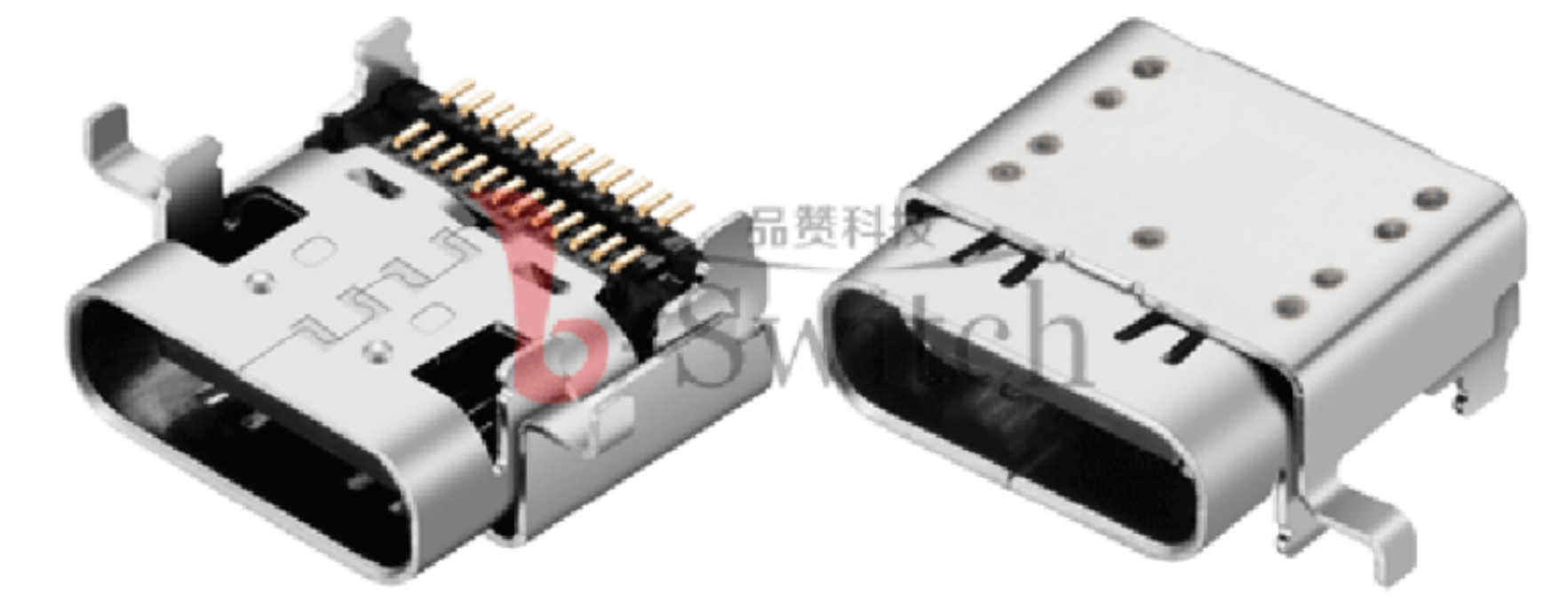


Case Assembly For Reference

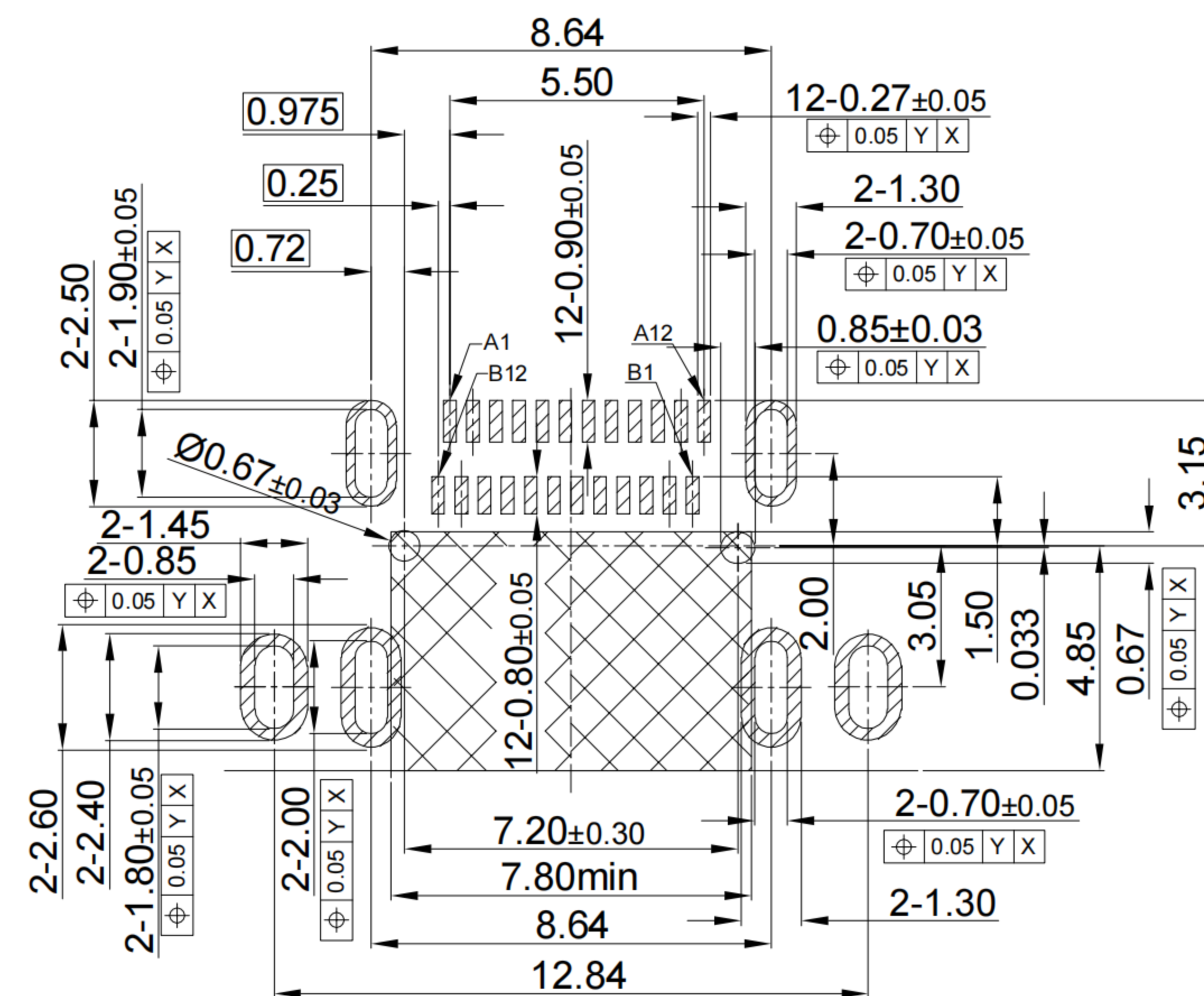
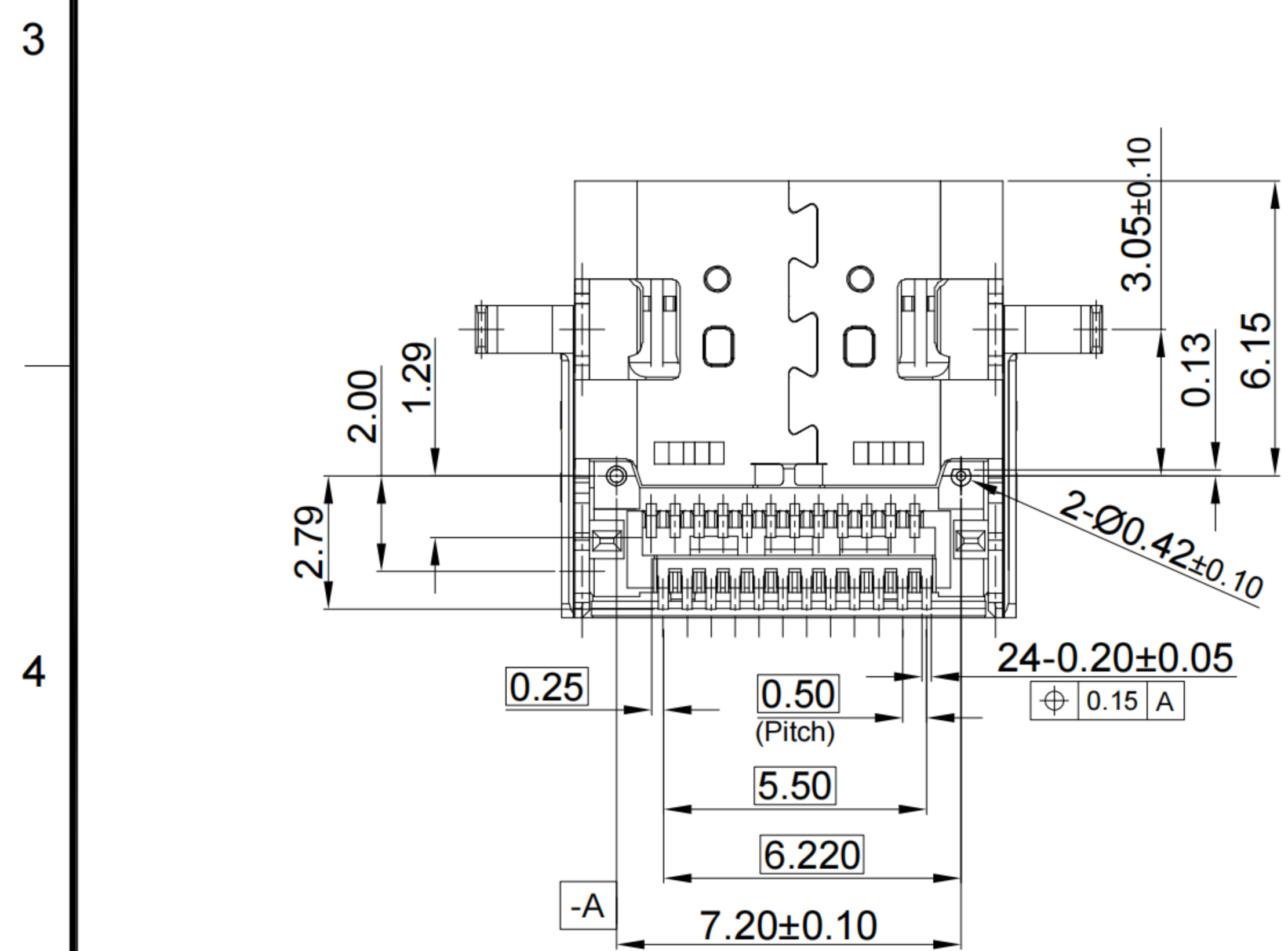


SECTION A-A



G-Switch USB-C Specification:

1. Current rated: 5A on vbus/1.25A on vconn/0.25A on other
2. Voltage rating: 24V AC
3. Withstanding voltage: 100V AC/minute
4. Contact resistance: 40mΩ Max
5. Insulation resistance: 100MΩ Min
6. Operating temperature: -40°C ~ +85°C
7. Mating force: 5N~20N
8. Unmating force: 8N~20N
9. Durability cycle: 10,000 cycles
10. Data transmission rate up to 40Gbp/s



RECOMMENDED PCB LAYOUT
TOLERANCE:±0.05

SCALE: 1:1 UNIT: mm
SIZE: A4

Title: Horizontal Type-c 24P Female
SMT CH=1.57 Foot=0.9 L=9.17mm

Unless otherwise
General Tolerance:

X. ±0.30
X.x ±0.25
X.xx ±0.15
X.xxx ±0.15
X° ±1°

Molde Code: GT-USB-7088B

DRAWN	CHECKED	APPROVED	DATE
Xia	Chen	Chen	2023.02.01



REV: A0 SHEET: 1/1

NO.	PARTS	MATERIAL	REMARKS
1	OUTER SHELL	STAINLESS STEEL(SUS304)	Ni PLATED
2	INNTER SHELL	STAINLESS STEEL(SUS304)	Ni PLATED
3	MID PLATE	STAINLESS STEEL(SUS301)	Ni PLATED
4	HOUSING	HIGH TEMPERATURE PLASTIC	PA9T BLACK UL 94 V-0
5	TERMINALS	COPPER ALLOY(C1840)	Au PLATING ON CONTACT AREA

