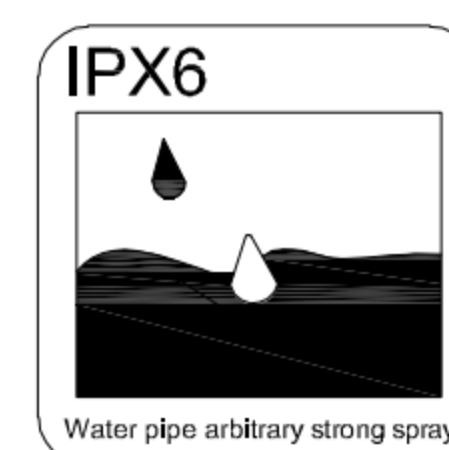
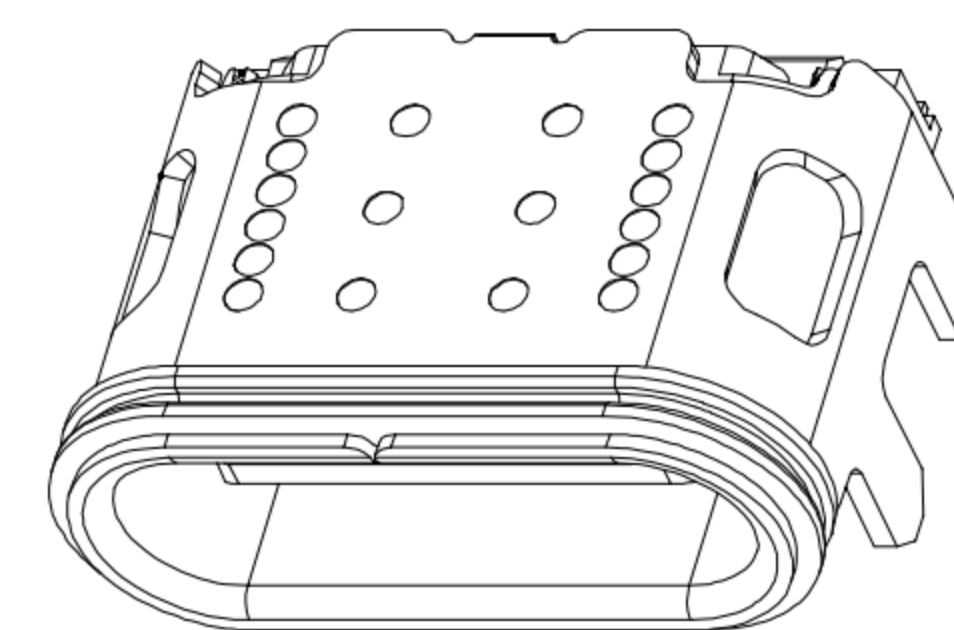
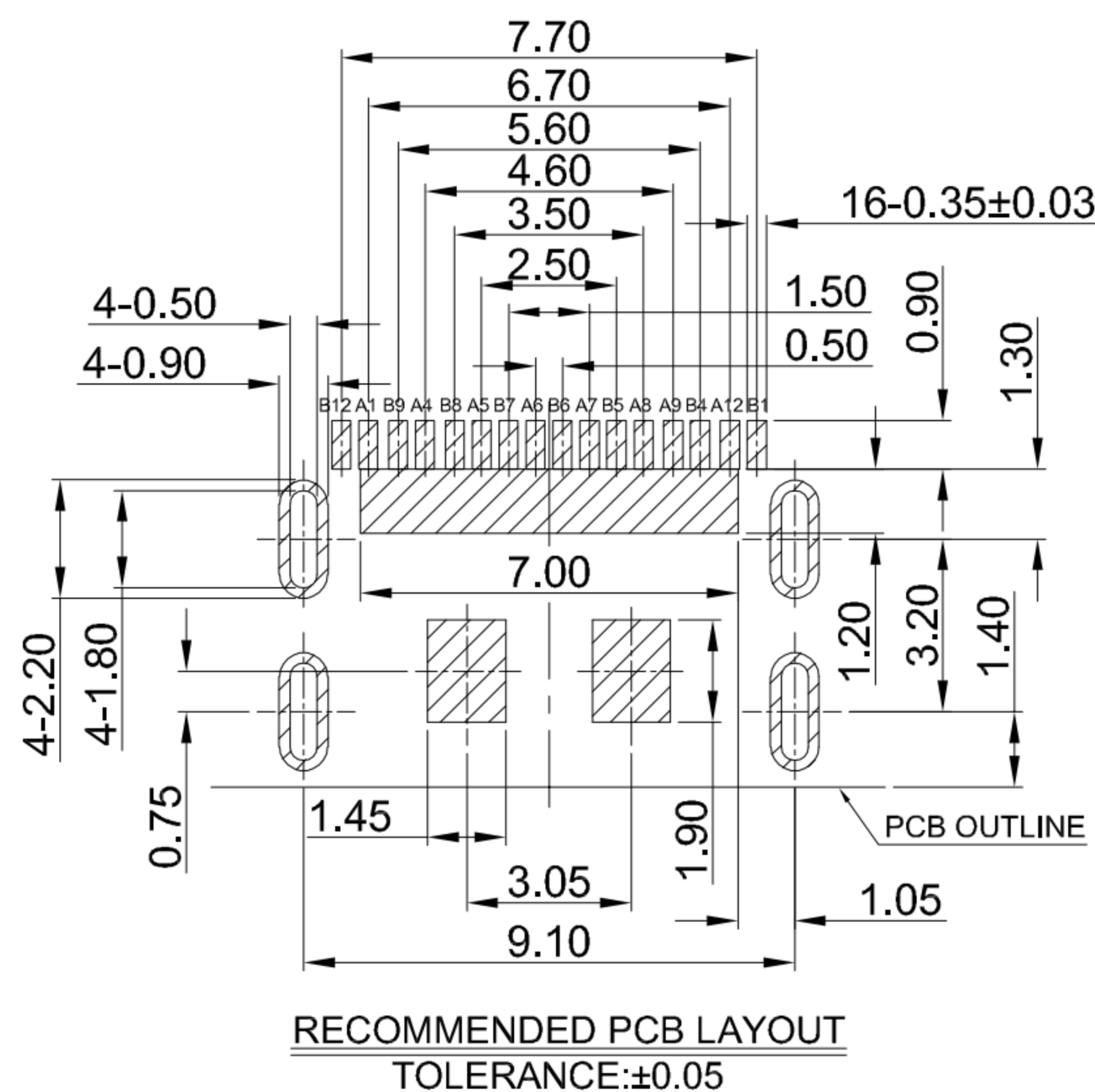
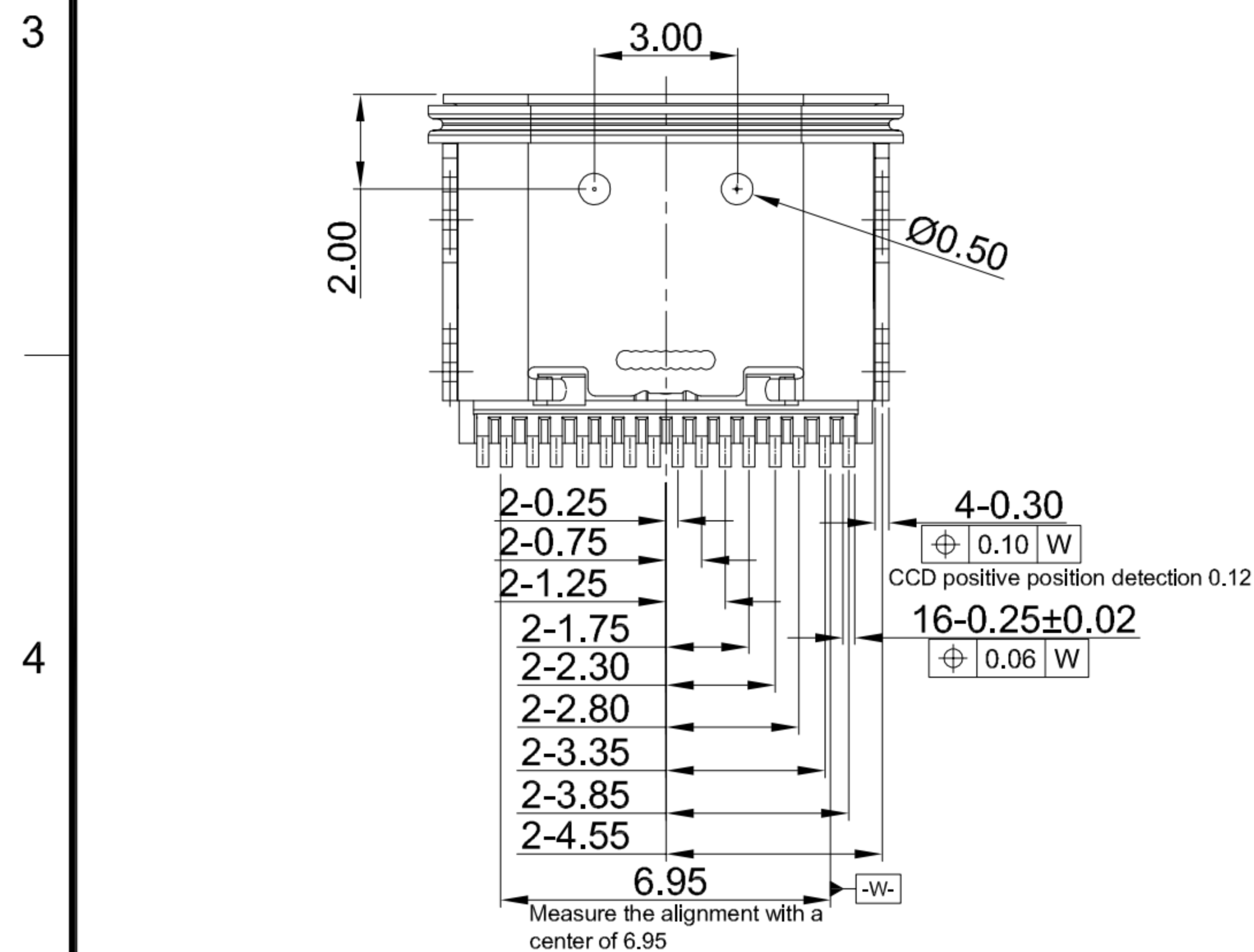


G-Switch USB-C Specification:

1. Current rated: 5A on vbus/1.25A on vconn/0.25A on other
Voltage rating: 24V AC
2. Withstanding voltage: 100V AC/minute
3. Contact resistance: 40mΩ Max
4. Insulation resistance: 100MΩ Min
5. Operating temperature: -40°C ~ +85°C
6. Mating force: 5N~20N
7. Unmating force: 8N~20N
8. Durability cycle: 10,000 cycles
9. Waterproof grade: IP-X6



A1	A2	A3	A4	A5	A6	A7	A8	A9	A10	A11	A12
GND			VBUS	CC1	D+	D-	SBU1	VBUS			GND
First			First	Second	Second	Second	Second	First			First

B12	B11	B10	B9	B8	B7	B6	B5	B4	B3	B2	B1
GND			VBUS	SBU2	D-	D+	CC2	VBUS			GND
First			First	Second	Second	Second	Second	First			First

1	OUTER-SHELL	STAINLESS STEEL	Ni PLATED
2	INNER-SHELL	STAINLESS STEEL	Ni PLATED
3	MID PLATE	STAINLESS STEEL	Ni PLATED
4	HOUSING	HIGH TEMPERATURE PLASTIC	ASHEN UL 94 V-0
5	TERMINALS	COPPER ALLOY	Au PLATING ON CONTACT AREA
6	O-RING	SILICA GEL	RED
NO.	PARTS	MATERIAL	REMARKS



SCALE:	UNIT: mm	Title: Horizontal Type-c 16P Female SMT CH=1.63 L=7.35mm	
SIZE: A4		Molde Code: GT-USB-7079B	
Unless otherwise General Tolerance:		DRAWN	CHECKED
X.	±0.20	APPROVED	DATE
X.x	±0.15	Xia	Chen
X.xx	±0.10	Chen	2023.02.01
X.xxx	±0.05		
X°	±3°		



REV: A0 SHEET: 1/1