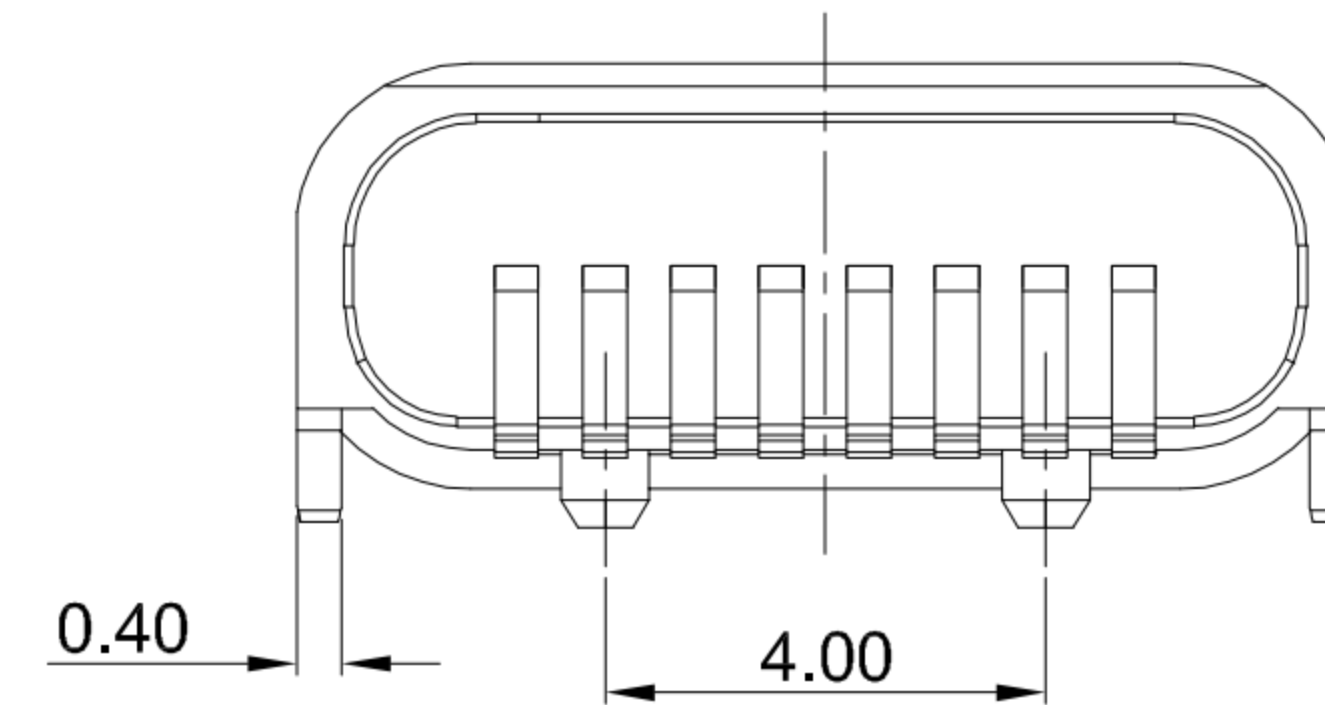
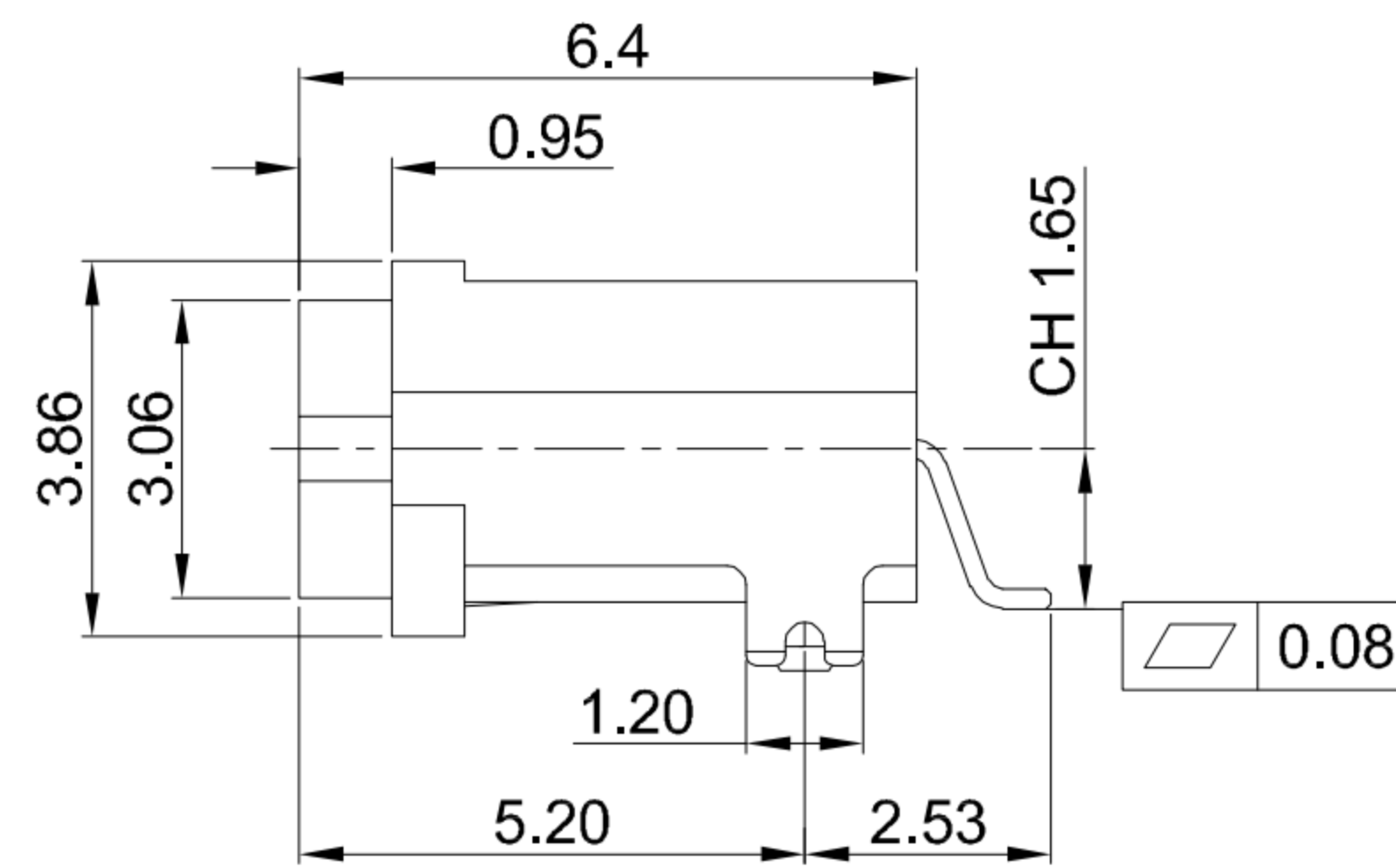
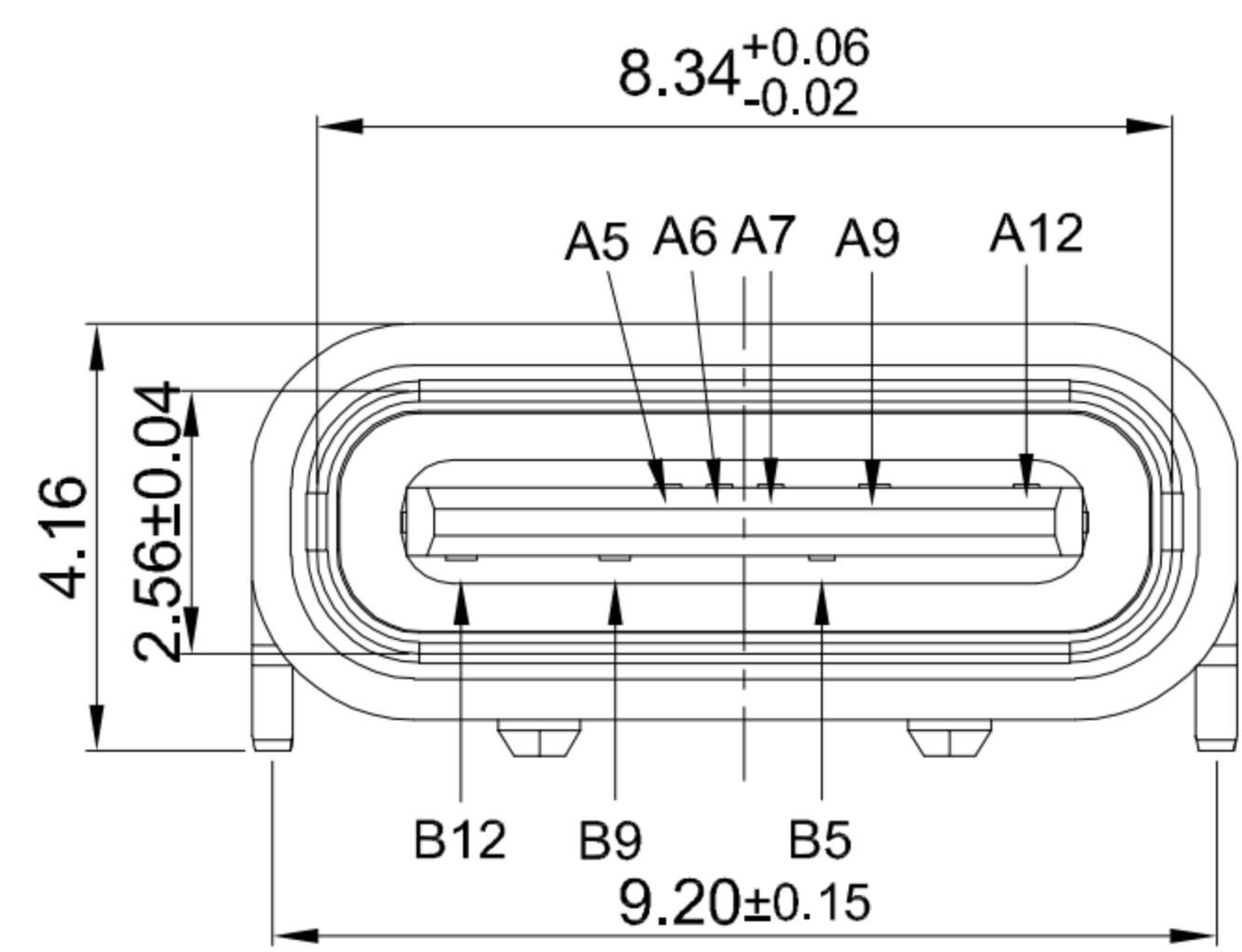
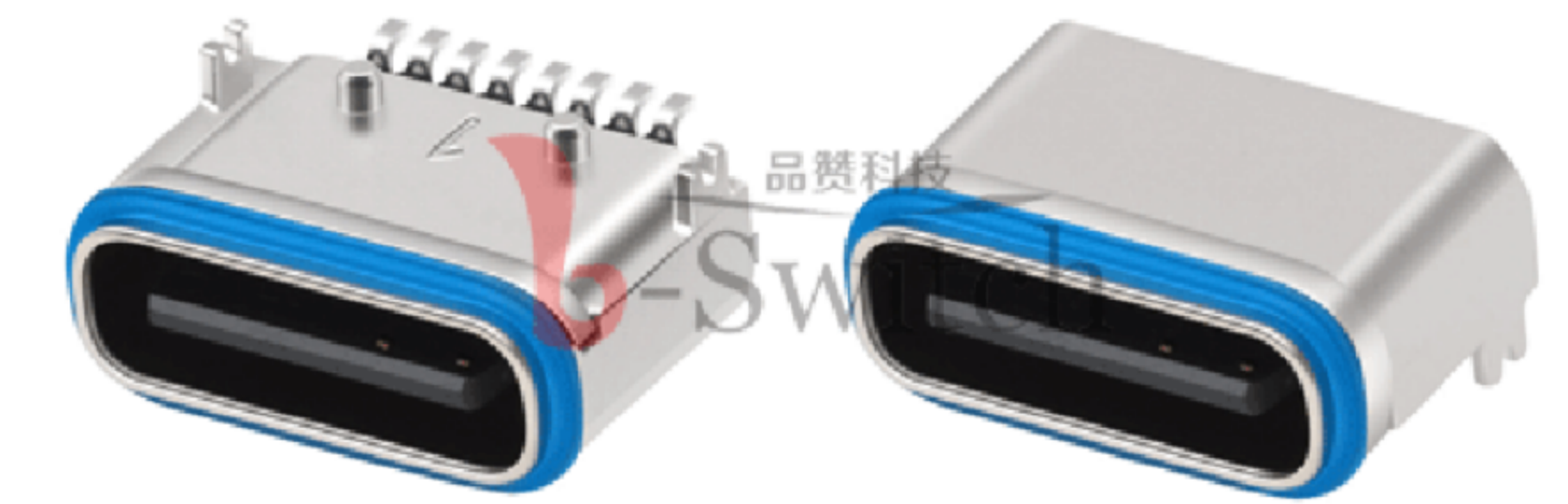


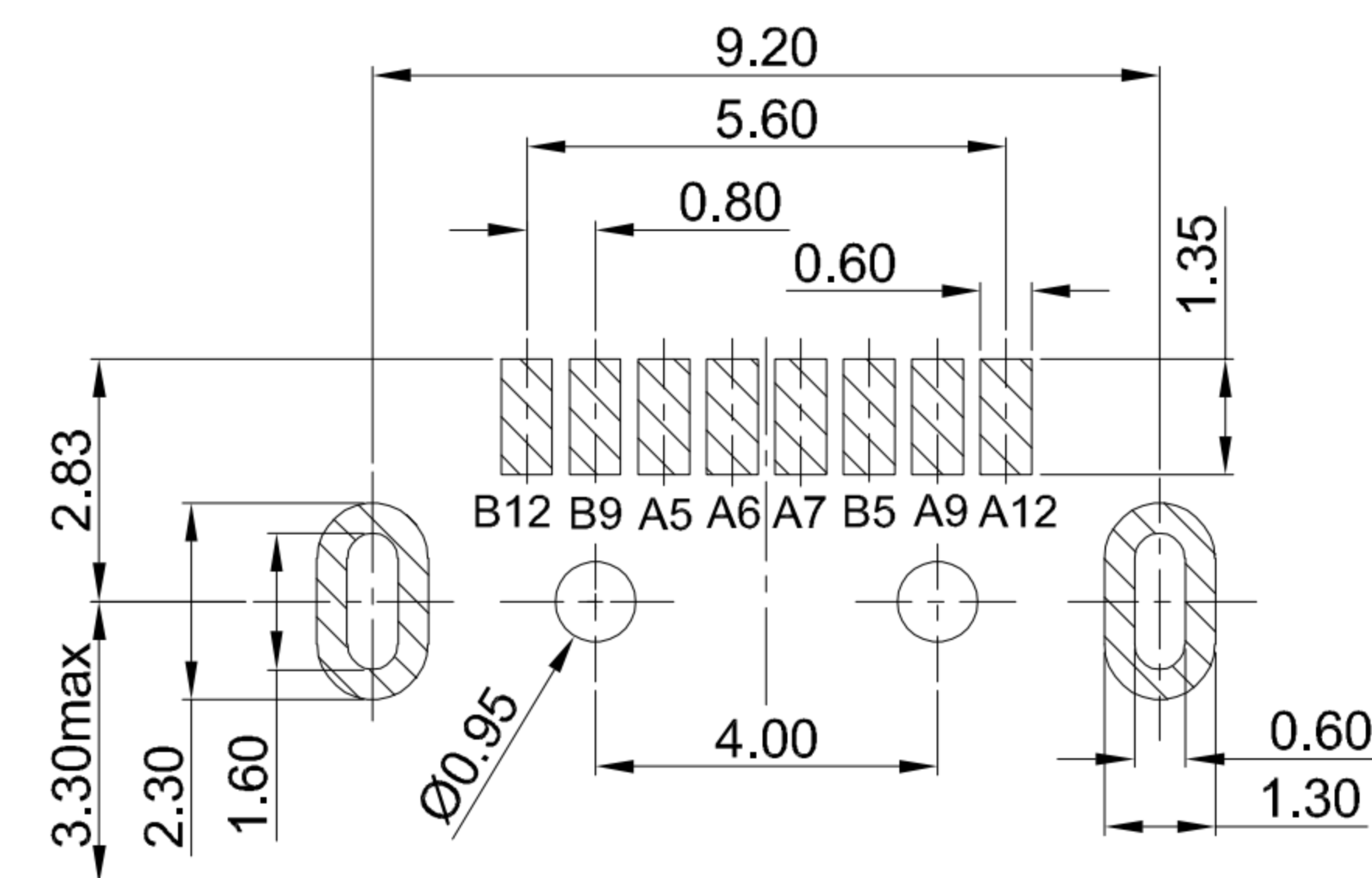
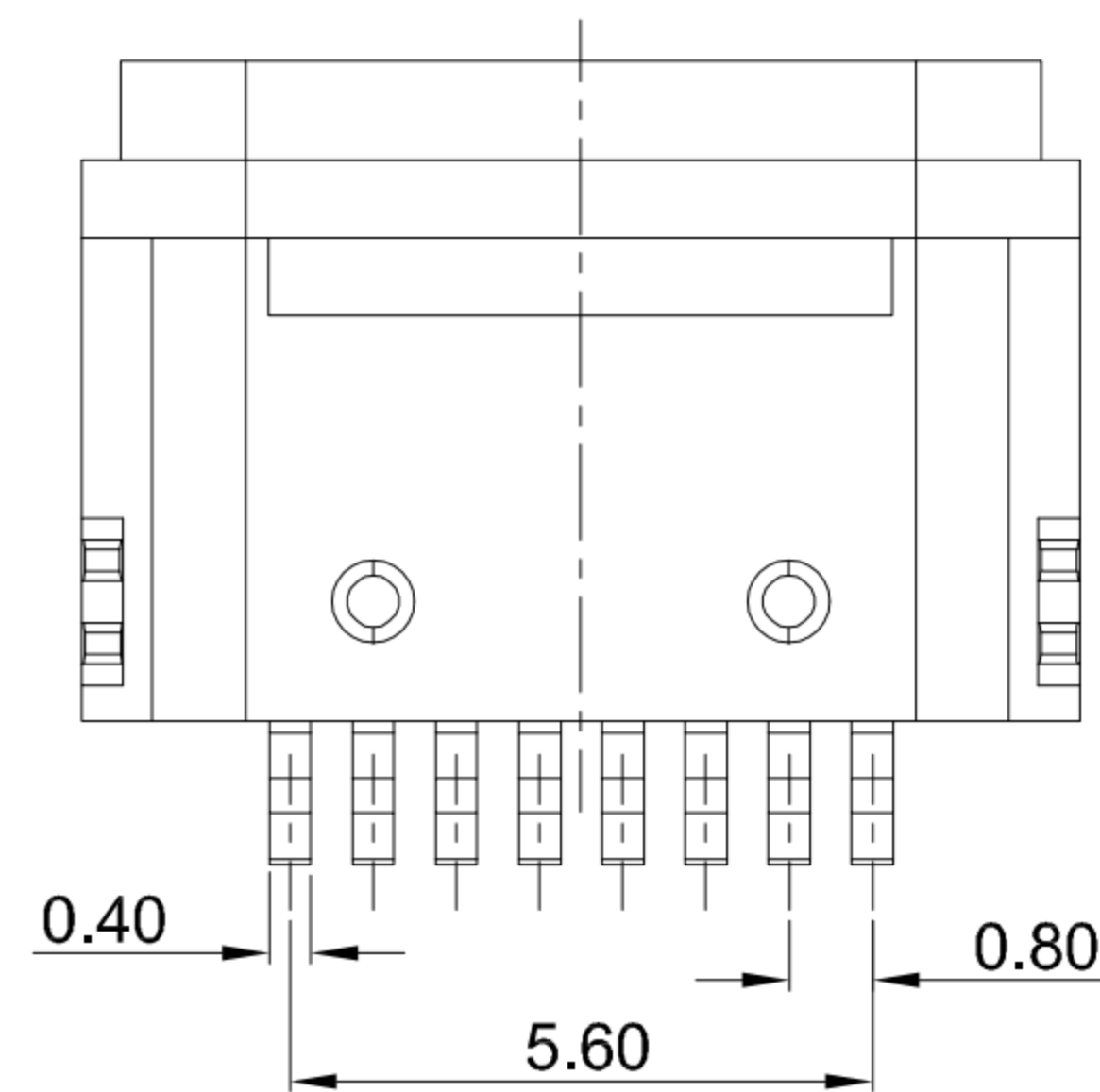
Schematic diagram of waterproof structure  
The thickness of the waterproof ring is 0.7, compressed to 0.4



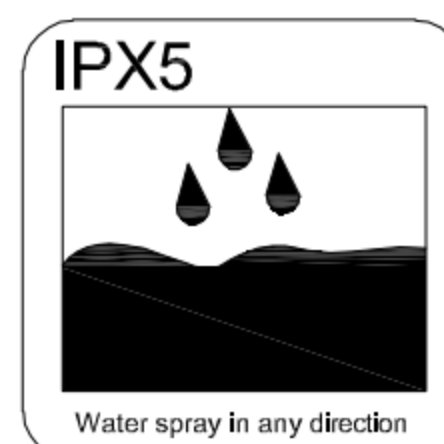
**G-Switch USB-C Specification:**

- Current rated: 5A on vbus/1.25A on vconn/0.25A on other  
Voltage rating: 24V AC
- Withstanding voltage: 100V AC/minute
- Contact resistance: 40mΩ Max
- Insulation resistance: 100MΩ Min
- Operating temperature: -40°C ~ +85°C
- Mating force: 5N~20N
- Unmating force: 8N~20N
- Durability cycle: 10,000 cycles
- Waterproof grade: IP-X5

A1	A2	A3	A4	A5	A6	A7	A8	A9	A10	A11	A12
				CC1	Dp1	Dn1		VBUS			GND
				Second	Second	Second		First			First
B12	B11	B10	B9	B8	B7	B6	B5	B4	B3	B2	B1
GND			VBUS				CC2				
First			First				Second				



PCB LAYOUT FOR REFERENCE ONLY  
TOLERANCE ±0.05



SCALE: 1:1 UNIT: mm  
SIZE: A4

Title: Horizontal Type-c 8P Female  
SMT CH=1.65 L=6.4mm

Unless otherwise  
General Tolerance:  
X. ±0.20  
X.x ±0.15  
X.xx ±0.10  
X.xxx ±0.05  
Angles ±3°

Molde Code: GT-USB-7101A

DRAWN	CHECKED	APPROVED	DATE
Xia	Chen	Chen	2022.12.08



REV: A0 SHEET: 1/1

1	SHELL	ZN-ALLOY	NI PLATED
2	MID PLATE	STAINLESS STEEL	---
3	HOUSING	HIGH TEMPERATURE PLASTIC	LCP BLACK UL 94 V-0
4	TERMINALS	COPPER ALLOY	Au PLATING ON CONTACT AREA
5	WATERPROOF RING	SILICA GEL	RED OR BLUE
NO.	PARTS	MATERIAL	REMARKS