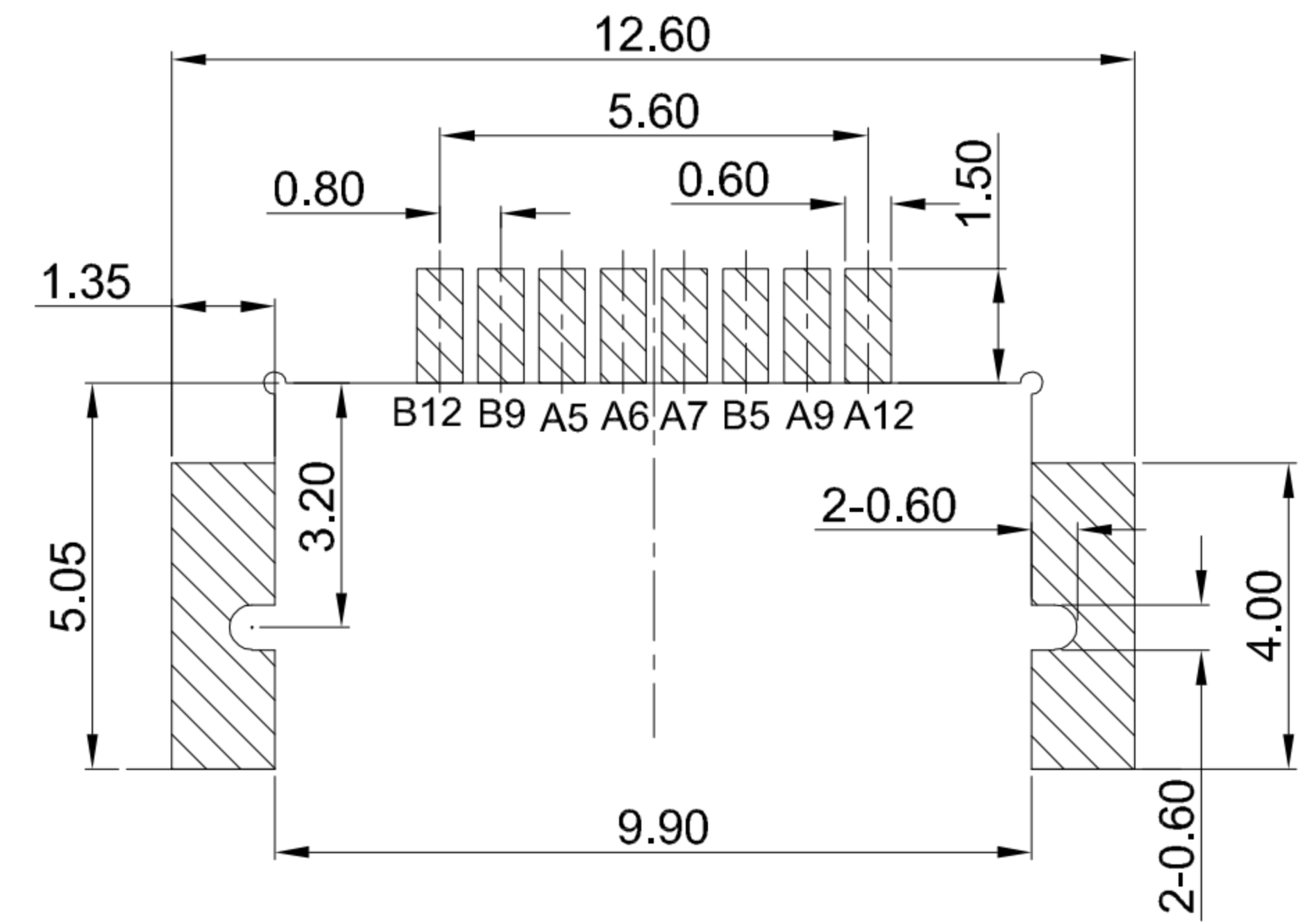
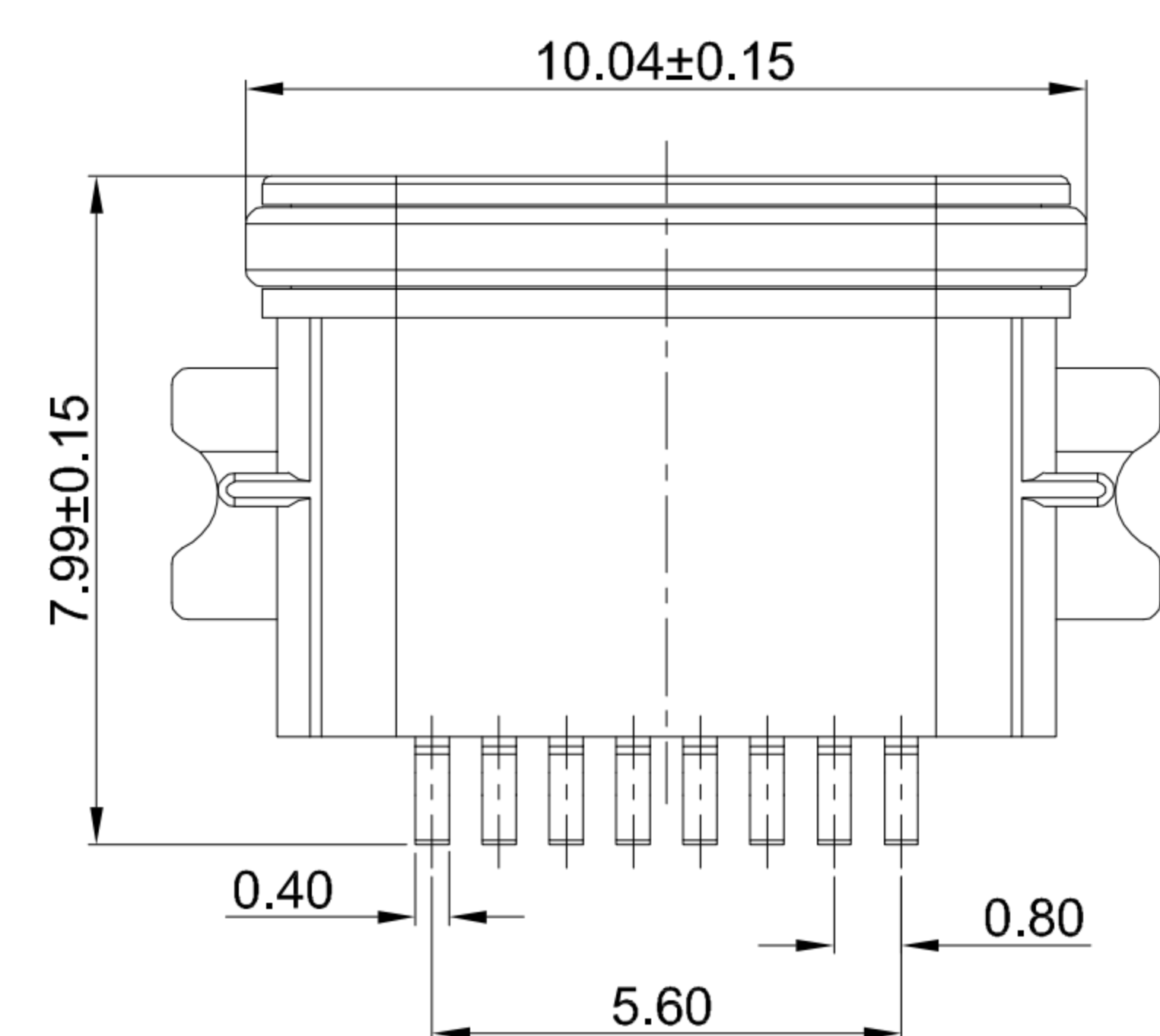
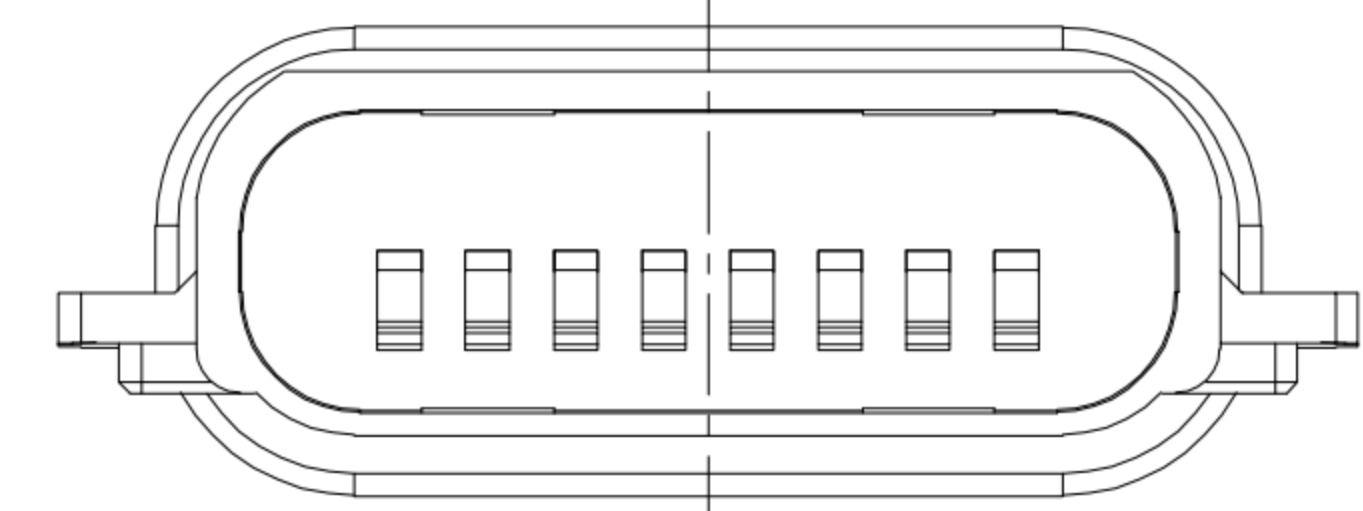
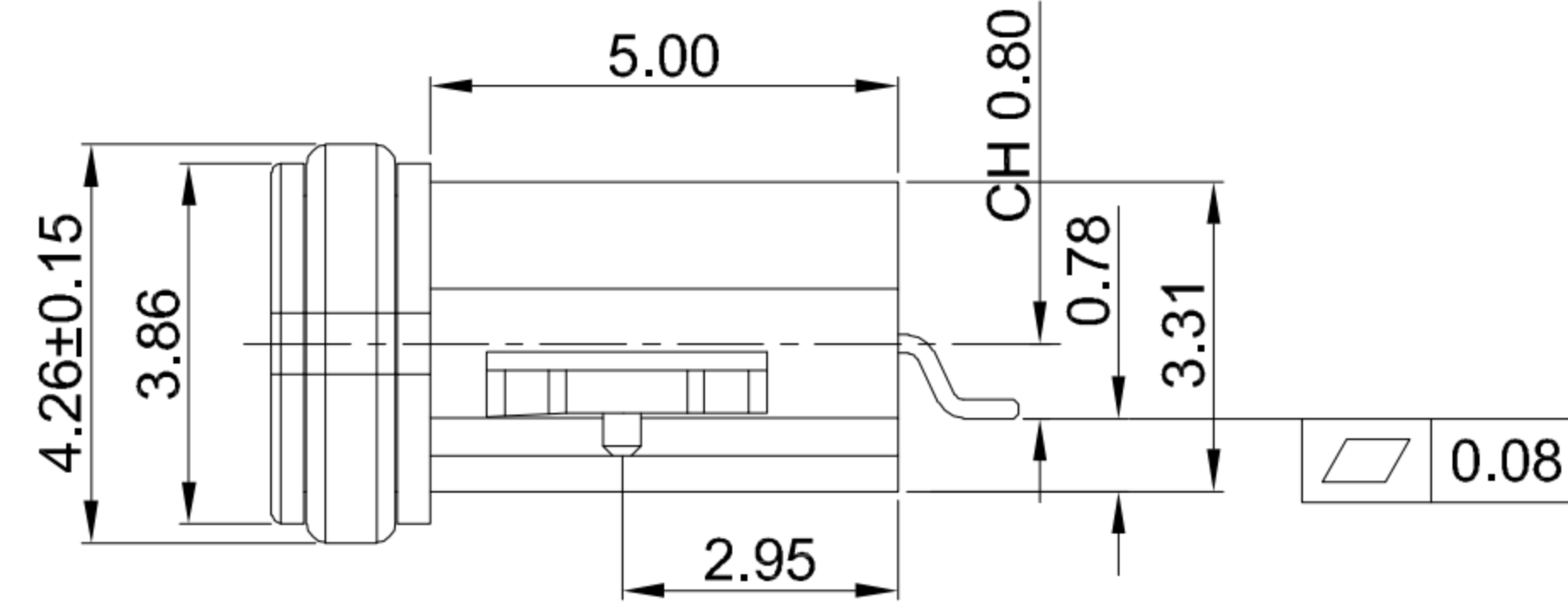
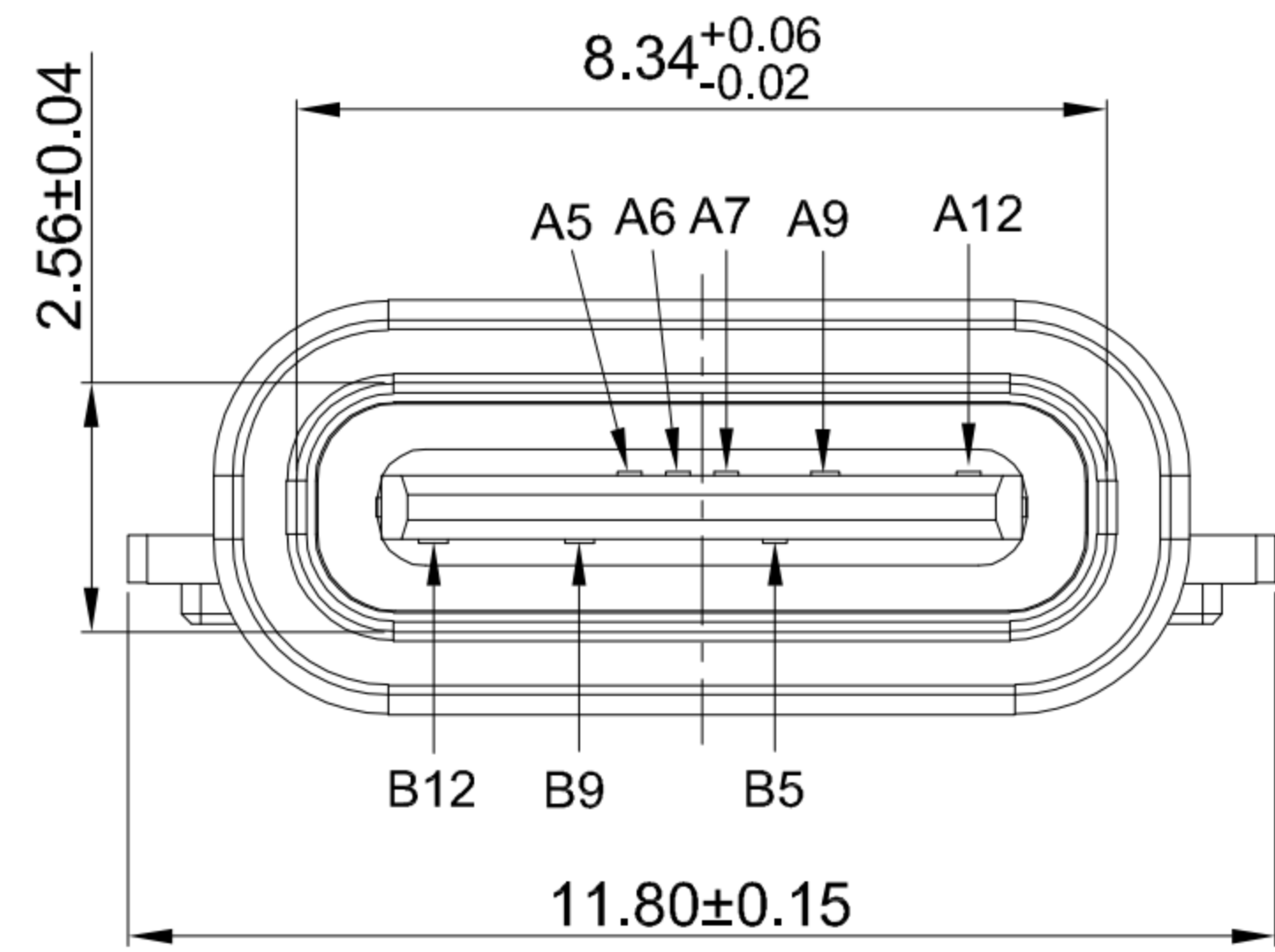


G-Switch USB-C Specification:

1. Current rated: 5A on vbus/1.25A on vconn/0.25A on other
2. Voltage rating: 24V AC
3. Withstanding voltage: 100V AC/minute
4. Contact resistance: 40mΩ Max
5. Insulation resistance: 100MΩ Min
6. Operating temperature: -40°C ~ +85°C
7. Mating force: 5N~20N
8. Unmating force: 8N~20N
9. Durability cycle: 10,000 cycles
9. Waterproof grade: IP-X5

A1	A2	A3	A4	A5	A6	A7	A8	A9	A10	A11	A12
				CC1	D+	D-		VBUS			GND
				Second	Second	Second		First			First
B12	B11	B10	B9	B8	B7	B6	B5	B4	B3	B2	B1
GND			VBUS				CC2				
First			First				Second				



PCB LAYOUT FOR REFERENCE ONLY
TOLERANCE ±0.05



1	SHELL	ZN-ALLOY	NI PLATED
2	MID PLATE	STAINLESS STEEL	---
3	HOUSING	HIGH TEMPERATURE PLASTIC	LCP BLACK UL 94 V-0
4	TERMINALS	COPPER ALLOY	Au PLATING ON CONTACT AREA
5	WATERPROOF RING	SILICA GEL	RED OR BLUE
NO.	PARTS	MATERIAL	REMARKS



SCALE: 1:1 UNIT: mm
 SIZE: A4
 Unless otherwise General Tolerance:
 X. ±0.20
 X.x ±0.15
 X.xx ±0.10
 X.xxx ±0.05
 Angles ±3°

Title: Horizontal Type-c 8P Female
 SMT Sink0.8 CH=0.8 L=6.7mm
 Molde Code: GT-USB-7100A
 DRAWN: Xia
 CHECKED: Chen
 APPROVED: Chen
 DATE: 2022.12.07



REV: A0 SHEET: 1/1