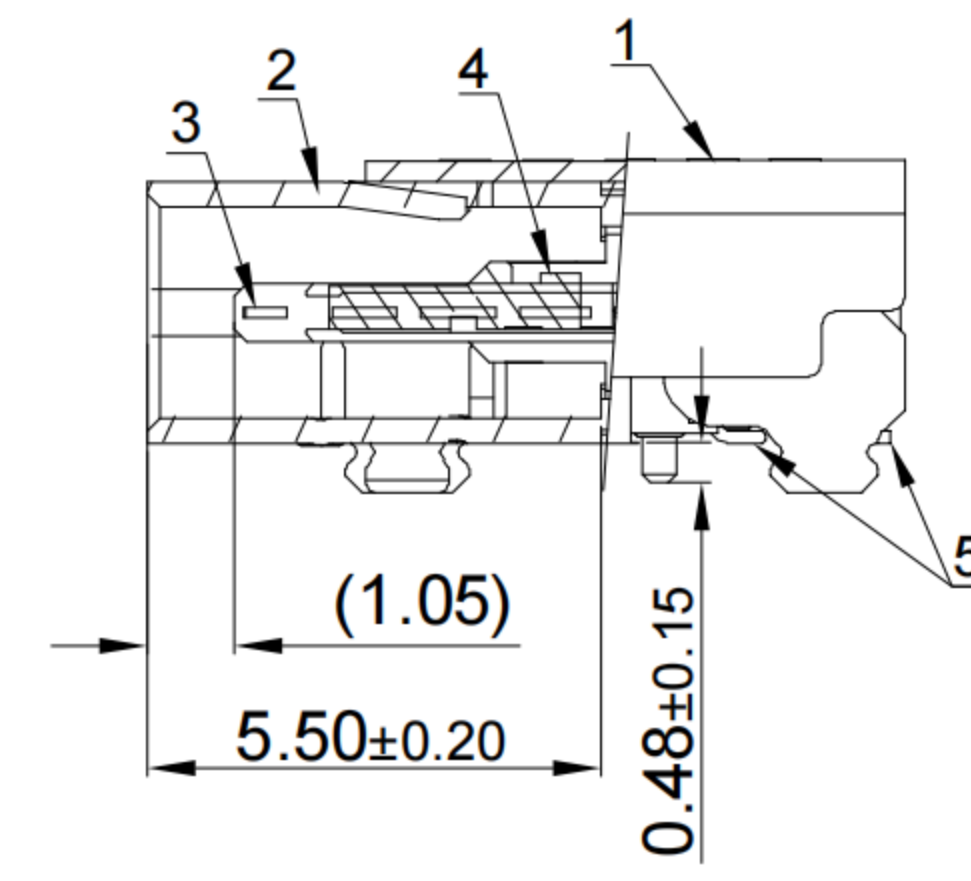
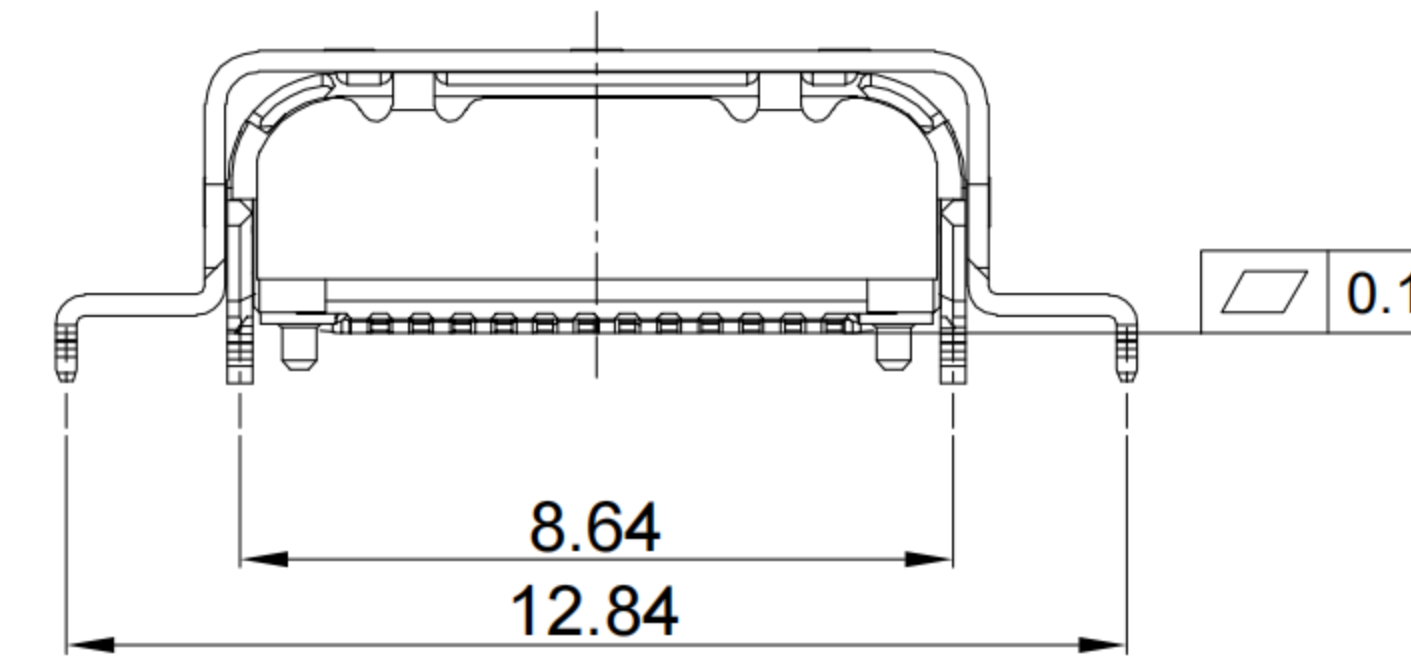
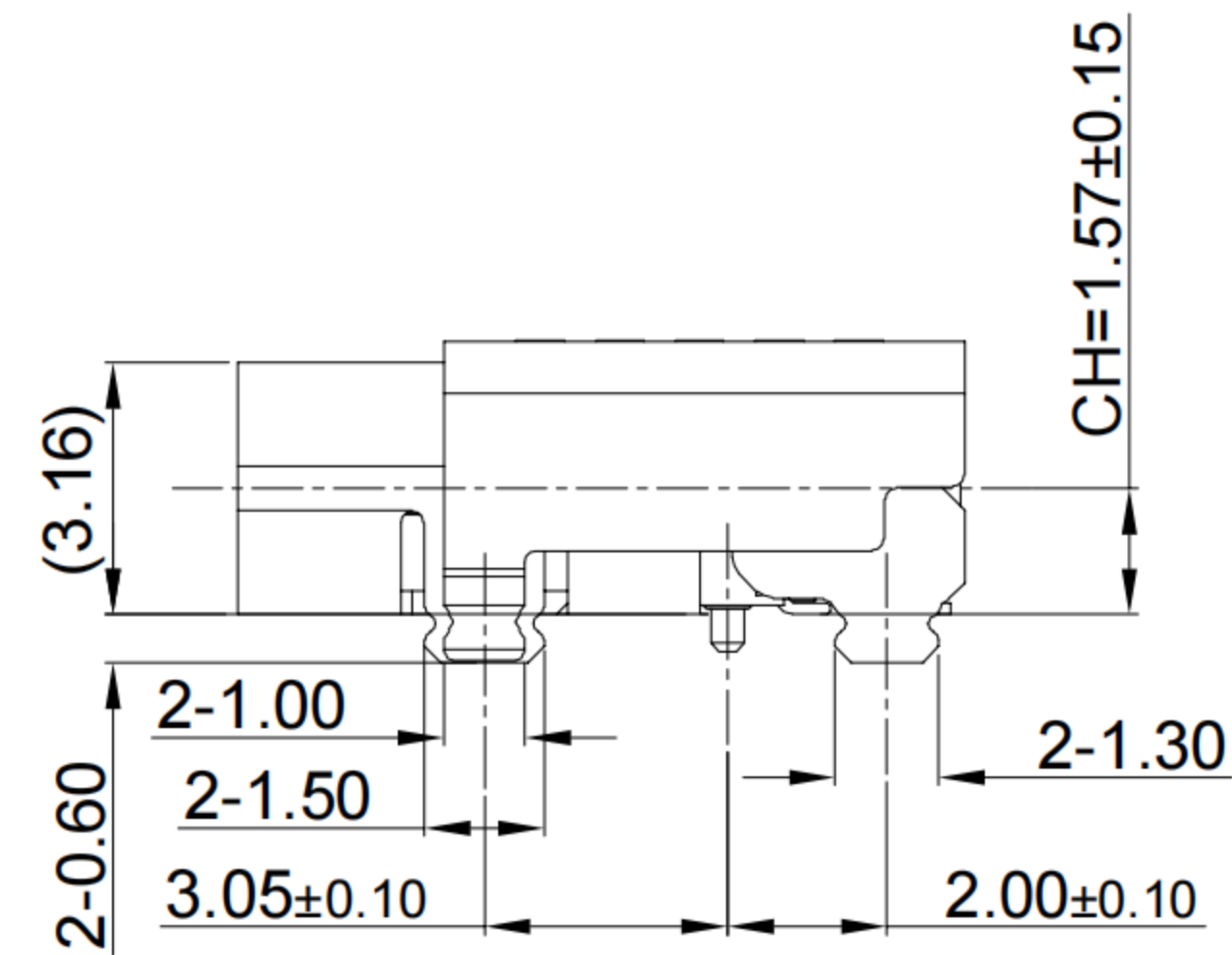
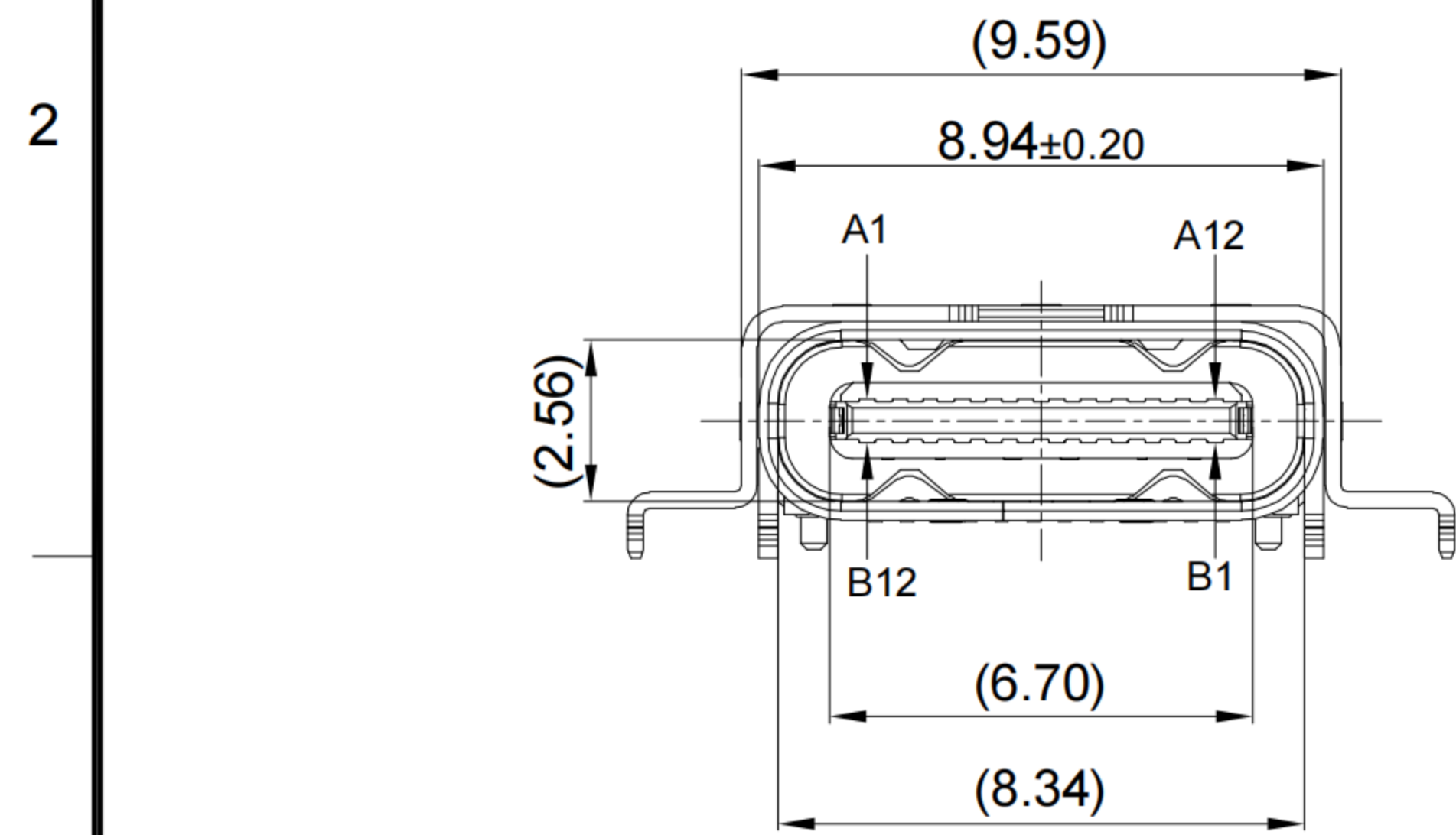
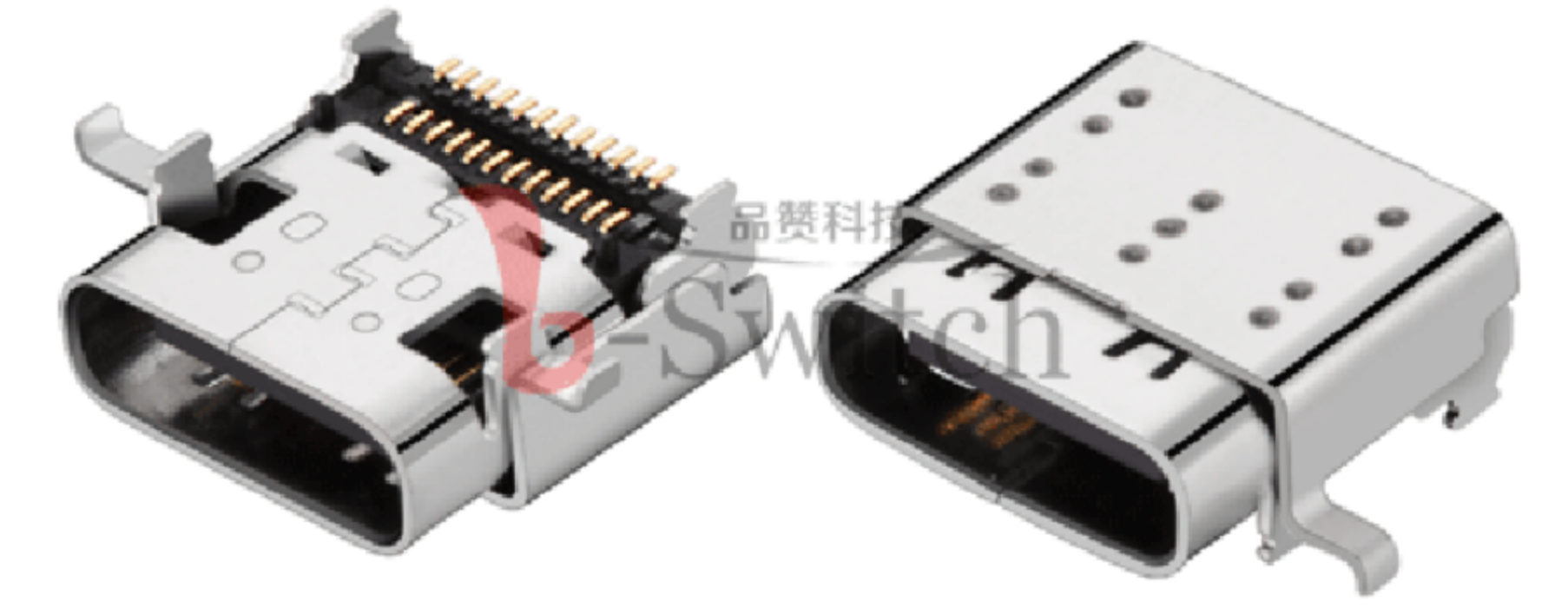


Case Assembly For Reference

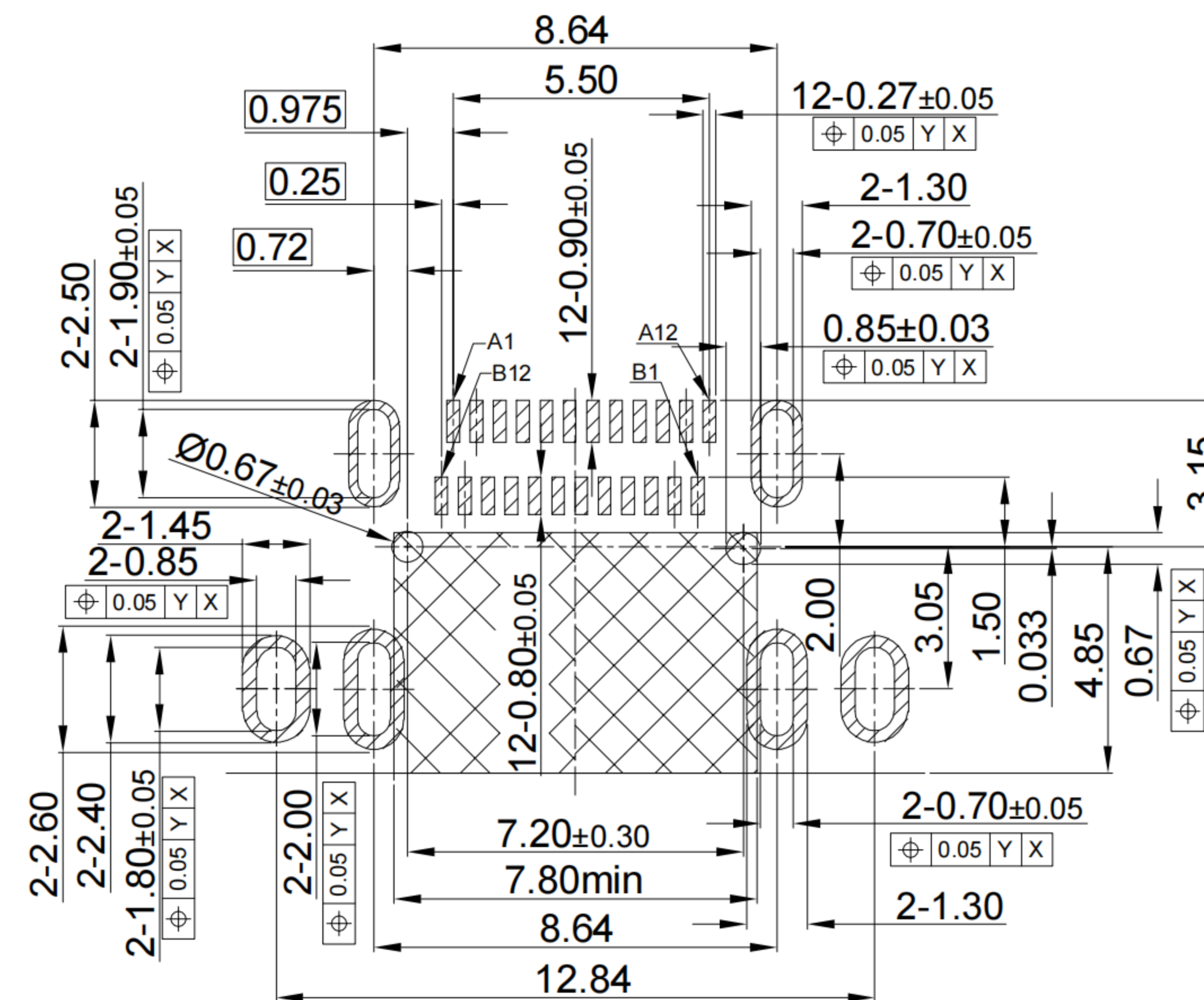
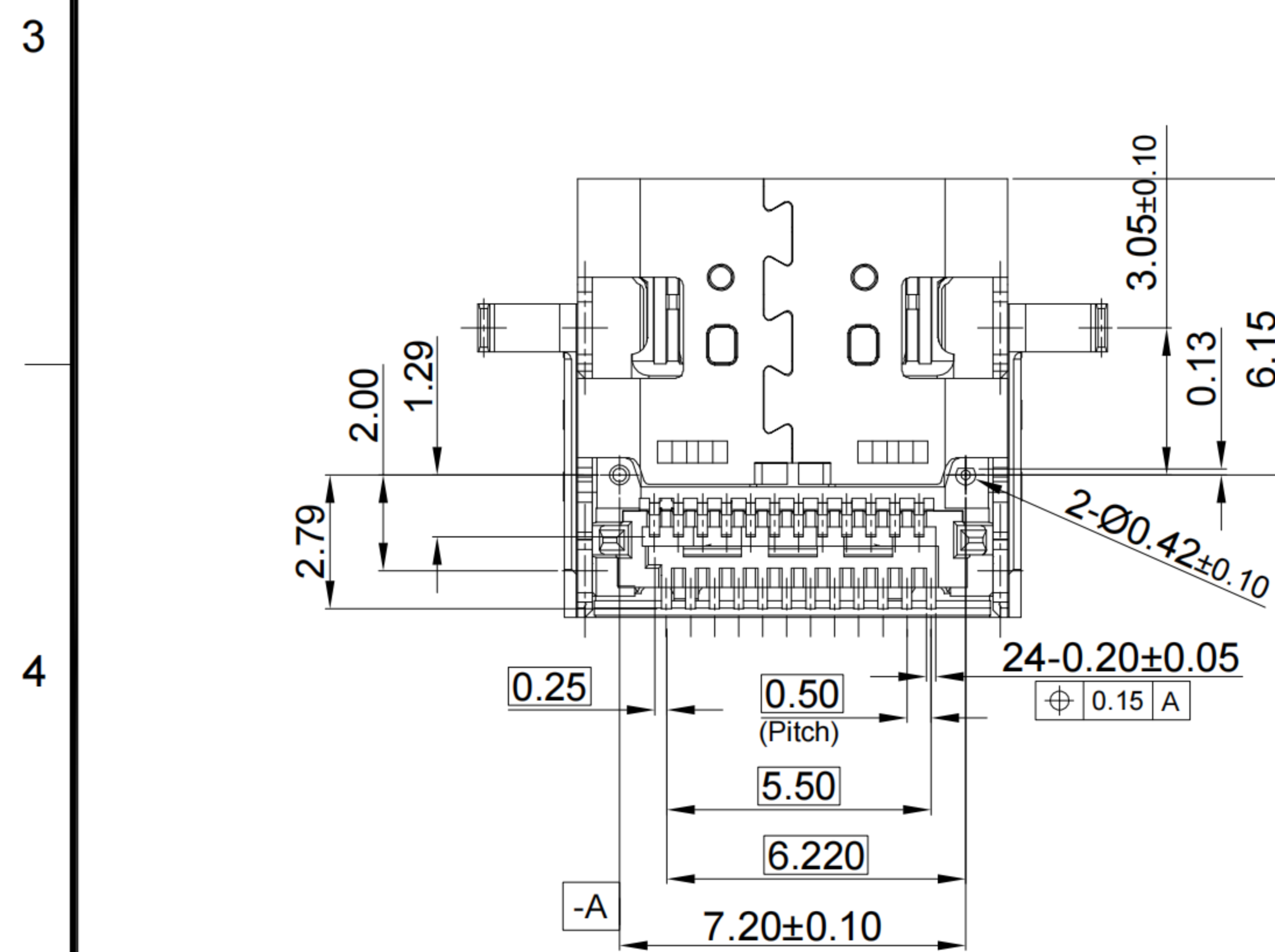


SECTION A-A



G-Switch USB-C Specification:

1. Current rated: 5A on vbus/1.25A on vconn/0.25A on other
2. Voltage rating: 24V AC
3. Withstanding voltage: 100V AC/minute
4. Contact resistance: 40mΩ Max
5. Insulation resistance: 100MΩ Min
6. Operating temperature: -40°C ~ +85°C
7. Mating force: 5N~20N
8. Unmating force: 8N~20N
9. Durability cycle: 10,000 cycles
10. Data transmission rate up to 40Gbps



RECOMMENDED PCB LAYOUT TOLERANCE:±0.05

| | | | | | | | | | | | |
|-------|--------|--------|-------|--------|--------|--------|--------|-------|--------|--------|-------|
| A1 | A2 | A3 | A4 | A5 | A6 | A7 | A8 | A9 | A10 | A11 | A12 |
| GND | TX+ | TX- | VBUS | CC1 | D+ | D- | SBU1 | VBUS | RX2- | RX2+ | GND |
| First | Second | Second | First | Second | Second | Second | Second | First | Second | Second | First |

| | | | | | | | | | | | |
|-------|--------|--------|-------|--------|--------|--------|--------|-------|--------|--------|-------|
| B12 | B11 | B10 | B9 | B8 | B7 | B6 | B5 | B4 | B3 | B2 | B1 |
| GND | RX1+ | RX1- | VBUS | SBU2 | D- | D+ | CC2 | VBUS | TX2- | TX2+ | GND |
| First | Second | Second | First | Second | Second | Second | Second | First | Second | Second | First |

| | | | |
|-----|-------------|--------------------------|----------------------------|
| 1 | OUTER SHELL | STAINLESS STEEL(SUS304) | Ni PLATED |
| 2 | INNER SHELL | STAINLESS STEEL(SUS304) | Ni PLATED |
| 3 | MID PLATE | STAINLESS STEEL(SUS301) | Ni PLATED |
| 4 | HOUSING | HIGH TEMPERATURE PLASTIC | PA9T BLACK UL 94 V-0 |
| 5 | TERMINALS | COPPER ALLOY(C1840) | Au PLATING ON CONTACT AREA |
| NO. | PARTS | MATERIAL | REMARKS |



SCALE: 1:1 UNIT: mm

SIZE: A4

Unless otherwise General Tolerance:

- X. ±0.30
- X.x ±0.25
- X.xx ±0.15
- X.xxx ±0.1
- X° ±1°

Title: Horizontal Type-c 24P Female SMT CH=1.57 Foot=0.6 L=9.17mm

Molde Code: GT-USB-7088A

| | | | |
|-------|---------|----------|------------|
| DRAWN | CHECKED | APPROVED | DATE |
| Xia | Chen | Chen | 2023.02.01 |



REV: A0 SHEET: 1/1