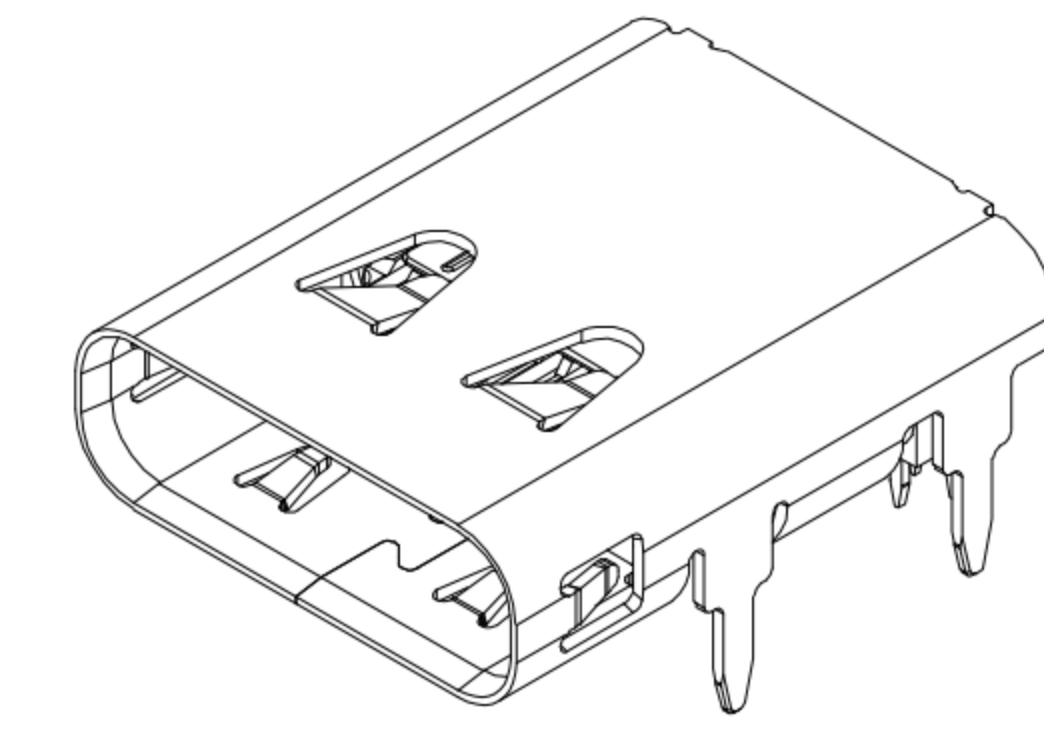
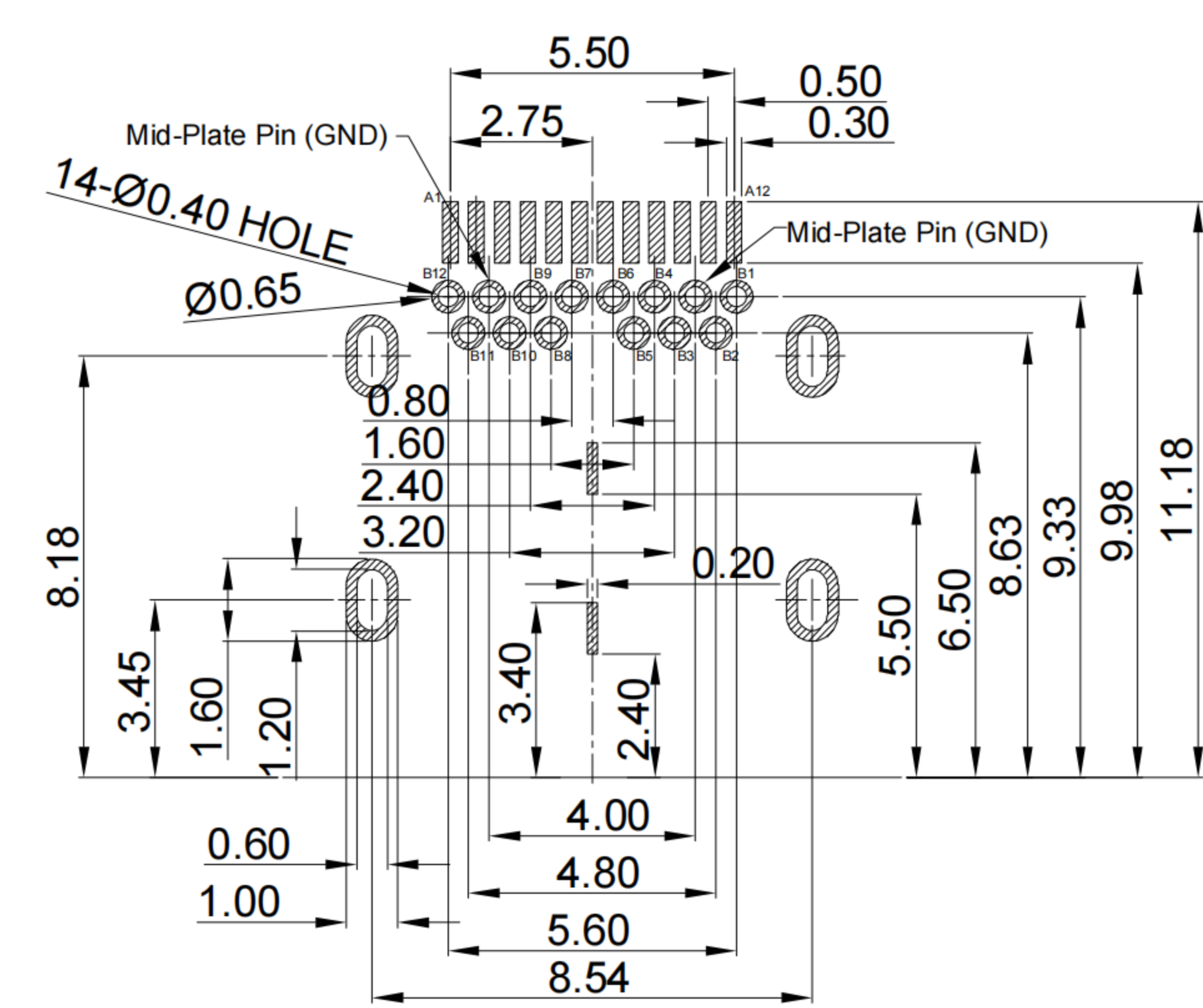
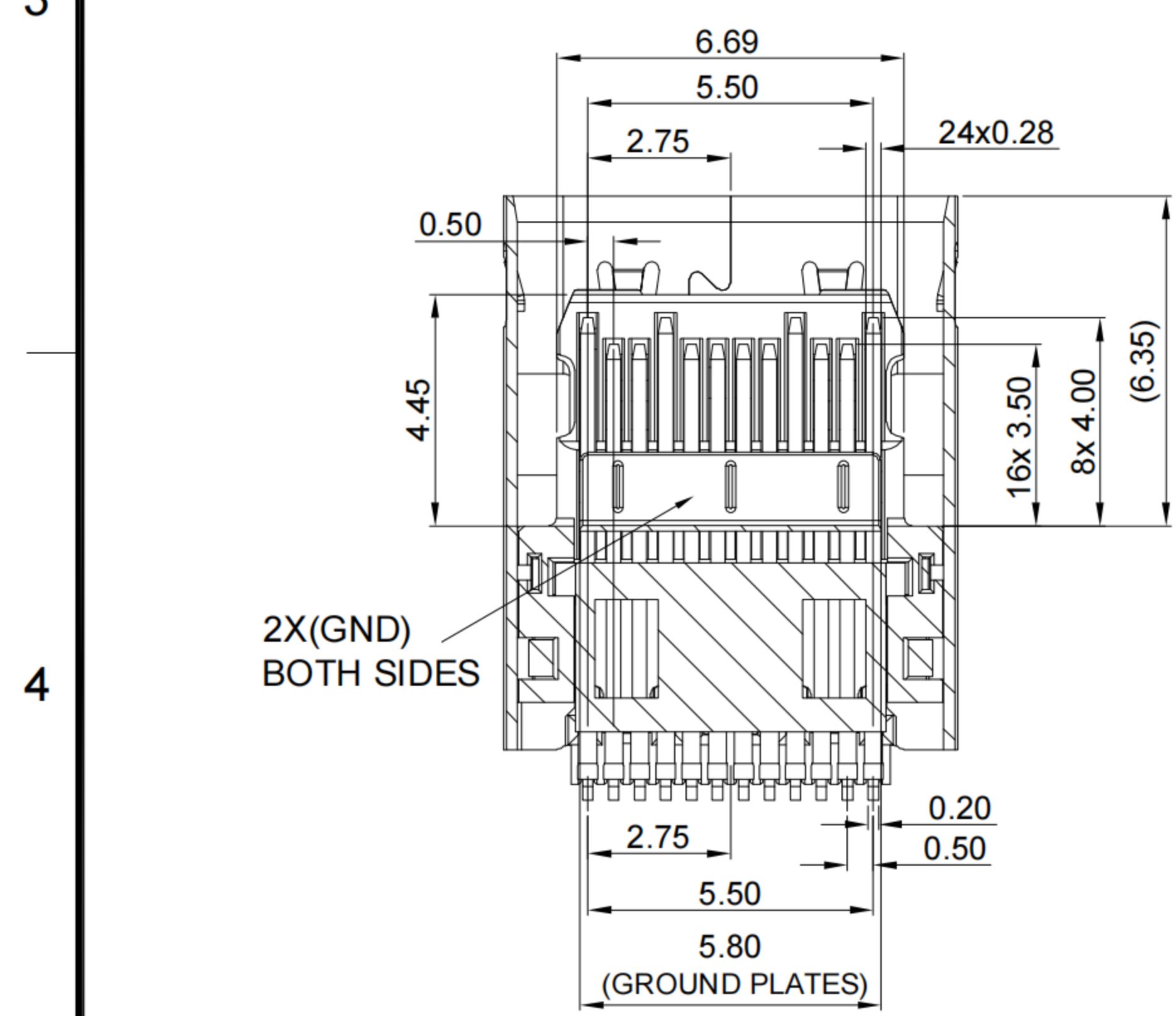


- G-Switch USB-C Specification:**
- 1.Current rated: 5A on vbus/1.25A on vconn/0.25A on other  
Voltage rating: 24V AC
  - 2.Withstanding voltage: 100V AC/minute
  - 3.Contact resistance: 40mΩ Max
  - 4.Insulation resistance: 100MΩ Min
  - 5.Operating temperature: -40°C ~ +85°C
  - 6.Mating force: 5N~20N
  - 7.Unmating force: 8N~20N
  - 8.Durability cycle:10,000 cycles
  - 9.Data transmission rate up to 5Gbps



A1	A2	A3	A4	A5	A6	A7	A8	A9	A10	A11	A12
GND	TX1+	TX1-	VBUS	CC1	D+	D-	SBU1	VBUS	RX2-	RX2+	GND
First	Second	Second	First	Second	Second	Second	Second	First	Second	Second	First
B12	B11	B10	B9	B8	B7	B6	B5	B4	B3	B2	B1
GND	RX1+	RX1-	VBUS	SBU2	D-	D+	CC2	VBUS	TX2-	TX2+	GND
First	Second	Second	First	Second	Second	Second	Second	First	Second	Second	First

NO.	PARTS	MATERIAL	REMARKS
1	SHELL	STAINLESS STEEL	Ni PLATED
2	GND PLATE	STAINLESS STEEL	---
3	MID PLATE	STAINLESS STEEL	Ni PLATED
4	HOUSING	HIGH TEMPERATURE PLASTIC	BLACK UL 94 V-0
5	TERMINALS	COPPER ALLOY	Au PLATING ON CONTACT AREA

RECOMMENDED PCB LAYOUT  
TOLERANCE:±0.05



SCALE: 1:1 UNIT: mm  
 SIZE: A4  
 Unless otherwise General Tolerance:  
 X. ±0.25  
 X.x ±0.20  
 X.xx ±0.15  
 X.xxx ±0.10  
 X° ±5°

Title: Horizontal Type-c 24P Female  
SMT CH=1.58 L=10.8mm  
 Molde Code: GT-USB-7056  
 DRAWN: Xia CHECKED: Chen APPROVED: Chen DATE: 2023.02.01

品赞科技®  
**b-Switch**  
 www.dg-switch.com  
 REV: A0 SHEET: 1/1