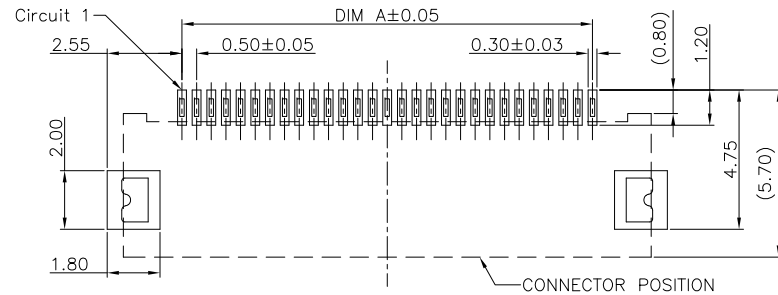
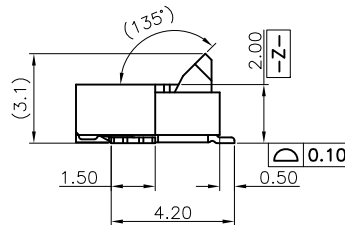
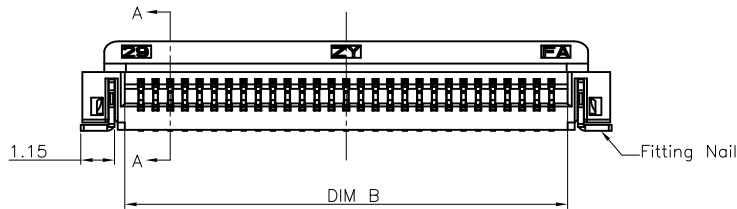
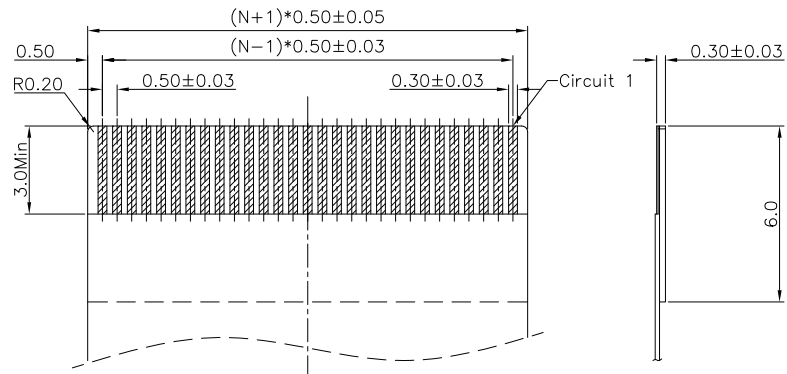


SECTION A-A  
SCALE 1:1



RECOMMENDED P.C.B. PATTERN LAYOUT



RECOMMENDED FPC/FFC DIMENSION

Note:

1. Material:
  - 1.1 Housing: thermoplastic high temp.UL94V-0; Color: natural.
  - 1.2 Latch: thermoplastic high temp.UL94V-0; Color: black.
  - 1.3 Terminal: copper alloy.
  - 1.4 Fitting Nail: copper alloy.

2. Finish:

- 2.1 Terminal:
  - Underplating: Au/Matte Tin overall.
- 2.2 Fitting Nail:
  - Underplating: Matte Tin overall.

3. Product must comply HF RoHS specification.
4. Product No:

AFC24-S \*\* F \* \* - \*\*  
 CKTS \_\_\_\_\_ Fitting Nail \_\_\_\_\_  
 CONTACTS TYPE \_\_\_\_\_ REMARKS \_\_\_\_\_  
 F:Lower \_\_\_\_\_ HF:Halogen free \_\_\_\_\_  
 PLATING \_\_\_\_\_ PACKING \_\_\_\_\_  
 1:Gold 1u" \_\_\_\_\_ A:Tape&Reel \_\_\_\_\_  
 2:Gold 2u" \_\_\_\_\_ C:Tube \_\_\_\_\_  
 3:Gold 3u" \_\_\_\_\_  
 B:Bright-Tin 90-120u" \_\_\_\_\_  
 C:Matte-Tin 90-120u" \_\_\_\_\_  
 I:Gold flash \_\_\_\_\_

CKTS	DIM A	DIM B	DIM C	DIM D
4	1.50	2.60	5.50	5.60
5	2.00	3.10	6.00	6.10
6	2.50	3.60	6.50	6.60
7	3.00	4.10	7.00	7.10
8	3.50	4.60	7.50	7.60
9	4.00	5.10	8.00	8.10
10	4.50	5.60	8.50	8.60
11	5.00	6.10	9.00	9.10
12	5.50	6.60	9.50	9.60
13	6.00	7.10	10.00	10.10
14	6.50	7.60	10.50	10.60
15	7.00	8.10	11.00	11.10
16	7.50	8.60	11.50	11.60
17	8.00	9.10	12.00	12.10
18	8.50	9.60	12.50	12.60
19	9.00	10.10	13.00	13.10
20	9.50	10.60	13.50	13.60
21	10.00	11.10	14.00	14.10
22	10.50	11.60	14.50	14.60
23	11.00	12.10	15.00	15.10
24	11.50	12.60	15.50	15.60
25	12.00	13.10	16.00	16.10
26	12.50	13.60	16.50	16.60
27	13.00	14.10	17.00	17.10
28	13.50	14.60	17.50	17.60
29	14.00	15.10	18.00	18.10
30	14.50	15.60	18.50	18.60
31	15.00	16.10	19.00	19.10
32	15.50	16.60	19.50	19.60
33	16.00	17.10	20.00	20.10
34	16.50	17.60	20.50	20.60
35	17.00	18.10	21.00	21.10
36	17.50	18.60	21.50	21.60
37	18.00	19.10	22.00	22.10
38	18.50	19.60	22.50	22.60
39	19.00	20.10	23.00	23.10
40	19.50	20.60	23.50	23.60
41	20.00	21.10	24.00	24.10
42	20.50	21.60	24.50	24.60
43	21.00	22.10	25.00	25.10
44	21.50	22.60	25.50	25.60
45	22.00	23.10	26.00	26.10
46	22.50	23.60	26.50	26.60
47	23.00	24.10	27.00	27.10
48	23.50	24.60	27.50	27.60
49	24.00	25.10	28.00	28.10
50	24.50	25.60	28.50	28.60
51	25.00	26.10	29.00	29.10
52	25.50	26.60	29.50	29.60
53	26.00	27.10	30.00	30.10
54	26.50	27.60	30.50	30.60
55	27.00	28.10	31.00	31.10
56	27.50	28.60	31.50	31.60
57	28.00	29.10	32.00	32.10
58	28.50	29.60	32.50	32.60
59	29.00	30.10	33.00	33.10
60	29.50	30.60	33.50	33.60

CUSTOMER DRAWING

Tolerance Unspecified  
(未注公差)  
 0.0 ±0.15 0° ±5°  
 0.00 ±0.10 0° ±3°  
 0.000 ±0.05 0° ±1°

Size(图幅):  
A4  
 Unit(单位):  
MM  
 Scale(比例):  
1:1  
 Project View  
(投影视角)  
1 OF 1  
 Rev(版本):  
A



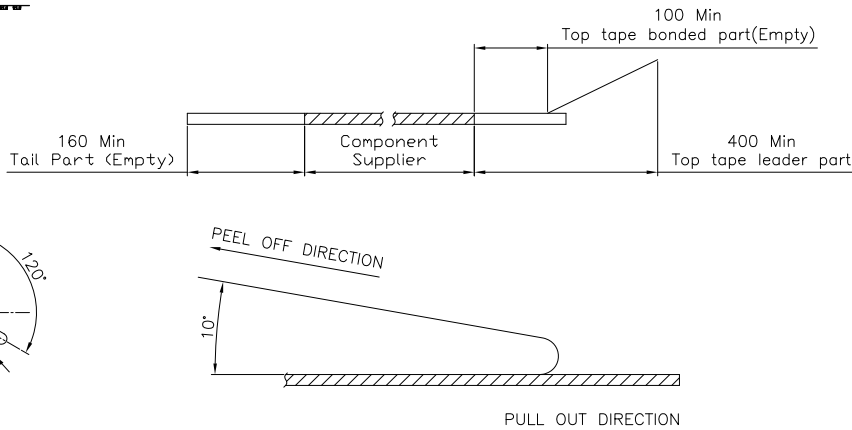
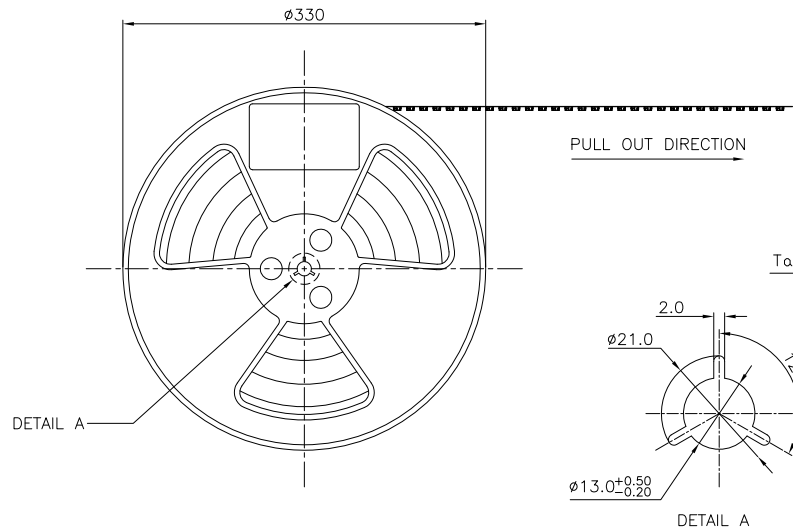
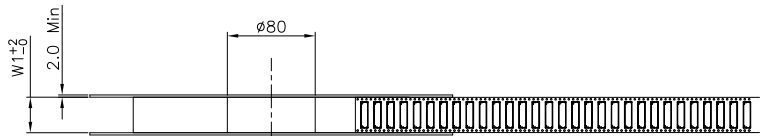
浙江合丰科技有限公司  
Zhejiang Hefeng Technology Co.,Ltd

Product Name(产品名称):  
0.5Pitch H=2.0 FPC Back-Flip R/A Type1 SMT CONN

Product No(产品料号):  
AFC24-S\*\*F\*\*--\*\*

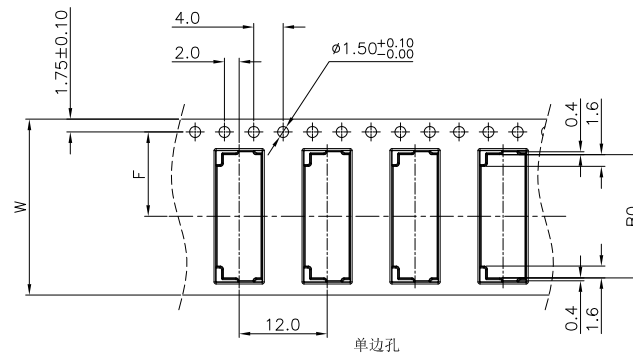
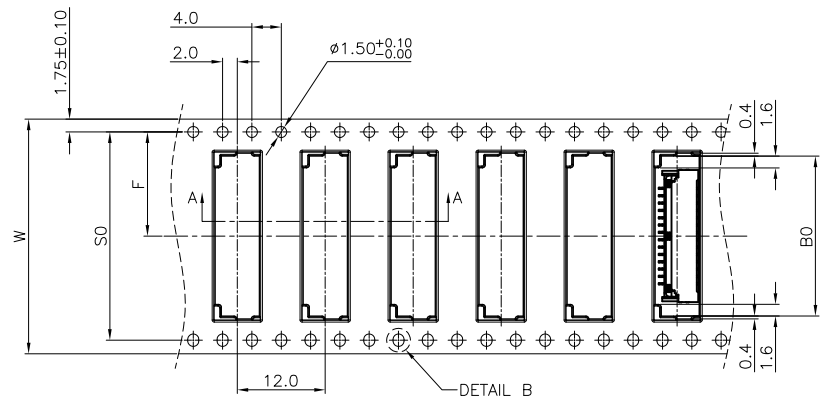
Designer(设计):  
张孝雄  
 Checked(审核):  
 Approved(核准):

Rev 版本	Change Description 变更内容	Date 日期	Revisor 制/修订人
A	初版发行	2018/07/24	张孝雄

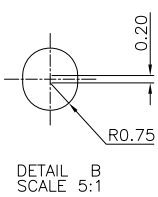
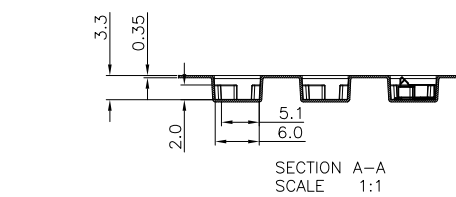


NOTES:

1. 10 SPROCKET HOLE PITCH CUMULATIVE TOLERANCE.±0.20mm
2. CARRIER CAMBER NOT TO EXCEED 1mm IN 250mm.
3. ALL DIMENSIONS MEET EIA-481-C REQUIREMENTS.
4. MATERIAL: BLACK ANTI-STATIC POLYSTYRENE.
5. THICKNESS: 0.35 ± 0.05 mm.
6. PACKING LENGTH PER 13" REEL : 18.60METERS.
7. COMPONENT LOAD PER 13" REEL : 1500PCS.
8. PEELING OFF FORCE OF TOP TAPE 0.1N~0.7N(10.2gf~71.4gf).



CKTS For 1.0Pitch Conn.	CKTS For 0.8Pitch Conn.	B0±0.10	W	W1	F	S0±0.10
4	5.80	16±0.3/-0	16.4	7.5±0.10		
5	6.30					
6	6.80					
7	7.30					
8	7.80					
9	8.30					
10	8.80					
11	9.30					
12	9.80					
13	10.30					
14	10.80					
15	11.30					
16	11.80					
17	12.30					
18	12.80	24±0.3/-0	24.4	11.5±0.10		
19	13.30					
20	13.80					
21	14.30					
22	14.80					
23	15.30					
24	15.80					
25	16.30					
26	16.80					
27	17.30					
28	17.80					
29	18.30					
30	18.80					
31	19.30					
32	19.80					
33	20.30					
34	20.80					
35	21.30					
36	21.80					
37	22.30					
38	22.80					
39	23.30					
40	23.80					
41	24.30					
42	24.80					
43	25.30					
44	25.80					
45	26.30					
46	26.80					
47	27.30					
48	27.80	44±0.30	44.4	20.2±0.15	40.4	
49	28.30					
50	28.80					
51	29.30					
52	29.80					
53	30.30					
54	30.80					
55	31.30					
56	31.80					
57	32.30					
58	32.80					
59	33.30	56±0.30	56.4	26.2±0.15	52.4	
60	33.80					



CLASSIFICATION DIMENSION (尺寸类别):  
 FAT (首次检验): ⊗To ⊗  
 ■ MARK IS MAJOR DIM (重点尺寸标示)  
 ⊕ MARK IS CRITICAL DIM (Cpk&Cp标示)

Tolerance Unspecified (未注公差)	Size (图幅): A4
0.0 ±0.10 0° ±3°	Unit (单位): MM
0.00 ±0.05 0° 0 ±2°	Scale (比例): 1:1
0.000 ±0.02 0° 00 ±1°	Page (页数): 1 OF 1
Project View (投影视角): 1 OF 1	Rev (版本): 1.0

**浙江合丰科技有限公司**  
 HEFENG Zhejiang Hefeng Technology Co.,Ltd

Product Name (产品名称): 0.5Pitch H=2.0 FPC 后压卧式SMT型. 载带

Product No (产品料号): EB-600XXX330-00

Drawing No (图面编号): DNE00055-1 Date (日期): 2012/01/03

Designer (设计): Allan Checked (审核): Approved (核准):

1.0	初版发行	2012/01/03	Allan
Rev 版本	Change Description 变更内容	Date 日期	Revisor 制/修订人