

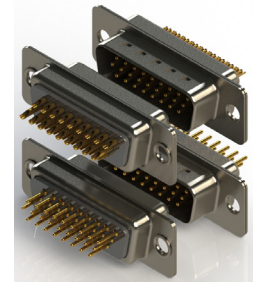
637M/638M SERIES



Machined D-Sub Connectors: Vertical, High Density

Features:

- High density with machined contacts
- 0.090"(2.29mm) contact spacing X 0.078"(1.98mm) row spacing
- Plug and receptacle in 15, 26, 44 or 62 contact sizes
- Pin and socket contact mating design with P.C. tail and solder cup termination
- Metal shell provides EMI/RFI shielding, plug shell indents provide grounding and additional mating retention
- Grounding features include 4-prong boardlock for exceptional retention to P.C. board
- Mounting options for panel mount or connector mating include through hole, threaded inserts, boardlocks and removable threaded standoffs
- D-shaped connector mating outline provides polarization



Specifications:

Insulator Material	PA9T, UL 94V-0, Color: Black (PA6T, UL 94V-0 for 62 Contacts)
Contact Material	Copper Alloy
Contact Plating	Gold Plating over Nickel All Over
Shell Material	Nickel or Tin Plated Steel
Current Rating	5 amps
Contact Resistance	10 Milliohms maximum
Dielectric Withstanding Voltage	5000 megaohms minimum
Insulation Resistance	1000 V AC rms at Sea Level
Operating Temperature	-55°C To +125°C

Ordering Code:

637-M15-230-BN1

SERIES: _____
637: PLUG (PIN)
638: RECEPTACLE (SOCKET)

MACHINED CONTACTS _____

NO. OF CONTACTS: _____
15 - 15 CONTACTS 26 - 26 CONTACTS
44 - 44 CONTACTS 62 - 62 CONTACTS

CONTACT FINISH CODE: _____
2 - GOLD FLASH PLATING
3 - 15 MICROINCHES OF GOLD PLATING
6 - 30 MICROINCHES OF GOLD PLATING

CONTACT CODE: _____
30 - P.C.B. TAIL 5.90 (0.232) LONG
32 - SOLDER CUP

MOUNTING & GROUNDING OPTIONS:

- 1 - Ø 3.05 (0.120) THRU HOLE
- 2 - 4-40 UNC INSERT
- 3 - 4-40 UNC INSERT + BOARD SPACER
- 4 - 4-40 UNC INSERT + BOARD SPACER + STANDOFF
- 5 - 4-40 UNC INSERT + BOARD SPACER + 4 PRONG BOARDLOCKS
- 6 - 4-40 UNC INSERT + BOARD SPACER + STANDOFF + 4 PRONG BOARDLOCKS

SHELL PLATING CODE:

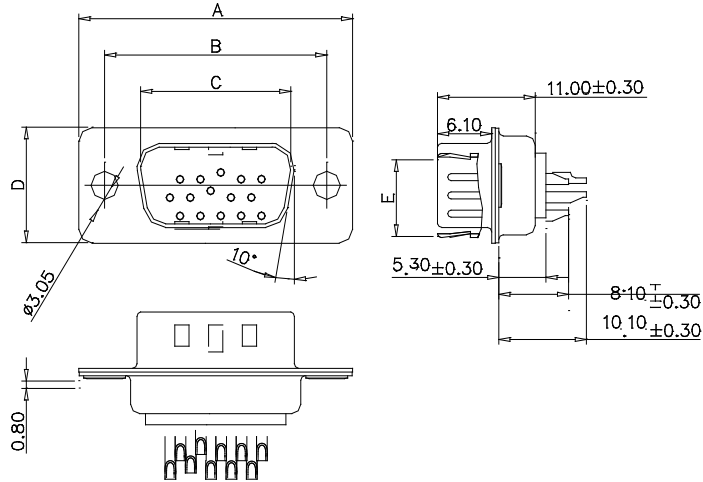
- N - NICKEL
- T - TIN

MATERIAL CODE:

- B - BLACK

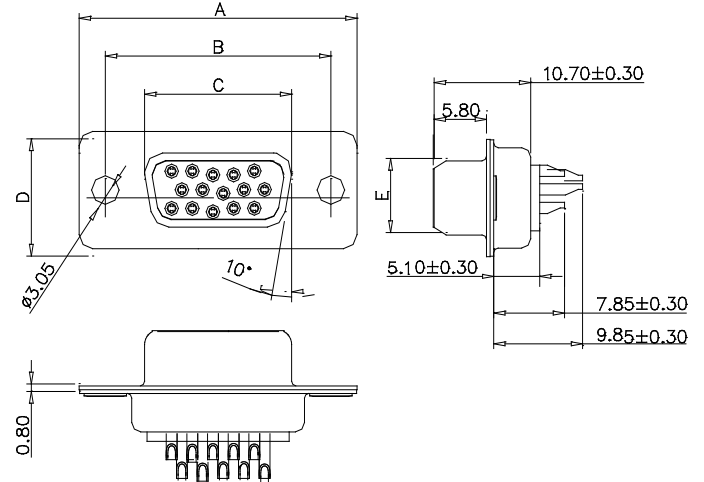
PLUG

SOLDER CUP



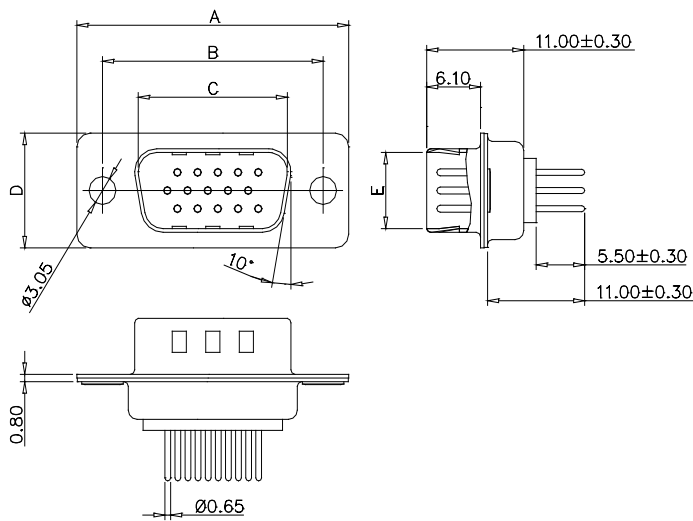
No. of pos.	A	B	C	D	E
15	30.80	25.00	16.90	12.50	8.30
26	39.20	33.30	25.25	12.50	8.30
44	53.05	47.05	38.95	12.50	8.30
62	69.40	63.50	55.40	12.50	8.30

RECEPTACLE

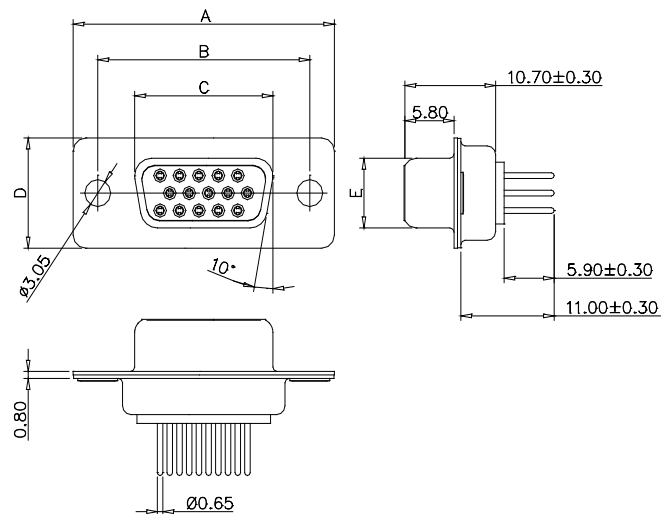


No. of pos.	A	B	C	D	E
15	30.80	25.00	16.30	12.50	7.90
26	39.20	33.30	24.60	12.50	7.90
44	53.05	47.05	38.40	12.50	7.90
62	69.40	63.50	54.80	12.50	7.90

PCB TAIL

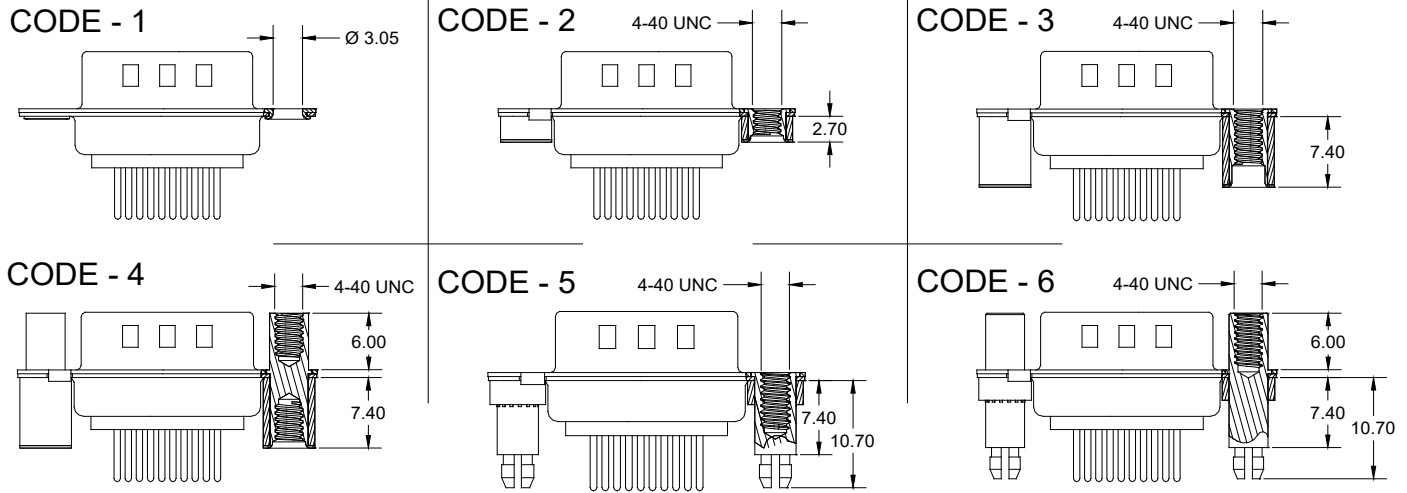


No. of pos.	A	B	C	D	E
15	30.80	25.00	16.90	12.50	8.30
26	39.20	33.30	25.25	12.50	8.30
44	53.05	47.05	38.95	12.50	8.30
62	69.40	63.50	55.40	12.50	8.30

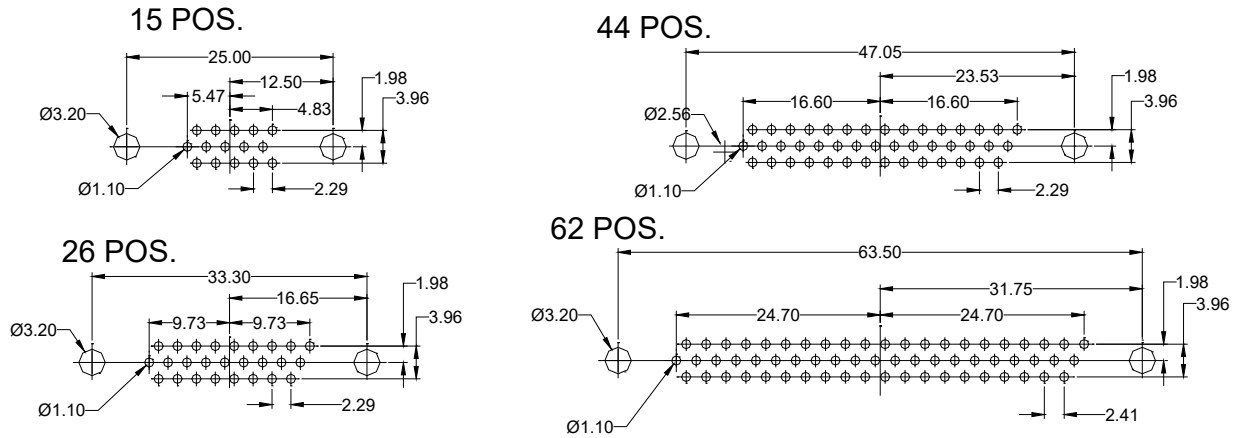


No. of pos.	A	B	C	D	E
15	30.80	25.00	16.30	12.50	7.90
26	39.20	33.30	24.60	12.50	7.90
44	53.05	47.05	38.40	12.50	7.90
62	69.40	63.50	54.80	12.50	7.90

MOUNTING & GROUNDING OPTIONS



PCB LAYOUT (PLUG)



PCB LAYOUT (RECEPTACLE)

