

# 627M/628M SERIES



## Machined D-Sub Connectors: Vertical

### Features:

- Standard density, straight D-Sub with machined contacts
- 0.109"(2.77mm) contact spacing x 0.112"(2.84mm) row spacing
- Plug and receptacle in 9, 15, 25, 37 or 50 contact sizes
- Pin and socket contact mating design with P.C. tail, and solder cup termination
- Metal shell provides EMI/RFI shielding, plug shell indents provide grounding and additional mating retention
- Grounding features include boardlock for exceptional retention to P.C. board
- Mounting options for panel mount or connector mating include through hole, threaded inserts and threaded standoffs
- Insulation housings are offered in different colors: black, white, green and blue
- D-shaped connector mating outline provides polarization



### Specifications:

Insulator Material	PA6T, UL 94V-0, Color: Black, White, Blue or Green
Contact Material	Precision Machined Copper Alloy
Contact Plating	Gold Plating over Nickel All Over
Shell Material	Nickel Plated Steel (Optional Tin Plating)
Current Rating	5 amps
Contact Resistance	10 Milliohms maximum
Dielectric Withstanding Voltage	5000 megaohms minimum
Insulation Resistance	1000 V AC rms at Sea Level
Operating Temperature	-55°C To +125°C

### Ordering Code:

## 627-M25-220-BN3

**SERIES:** \_\_\_\_\_  
627: PLUG (PIN)  
628: RECEPTACLE (SOCKET)

**M:** MACHINED CONTACTS \_\_\_\_\_

**NO. OF CONTACTS:** \_\_\_\_\_  
09 - 9 CONTACTS    25 - 25 CONTACTS  
15 - 15 CONTACTS    37 - 37 CONTACTS  
50 - 50 CONTACTS

**CONTACT FINISH CODE:** \_\_\_\_\_  
2 - GOLD FLASH PLATING  
3 - 15 MICROINCHES OF GOLD PLATING  
6 - 30 MICROINCHES OF GOLD PLATING

**CONTACT CODE:** \_\_\_\_\_  
20 - .224"(5.70mm) PC TAIL (ONLY FOR PLUG)  
21 - .232"(5.90mm) PC TAIL (ONLY FOR RECEPTACLE)  
22 - SOLDER CUP TAIL  
23 - .495".(12.57mm) PC TAIL

**MOUNTING & GROUNDING OPTIONS:**  
1 - Ø.120"(Ø3.05MM) THROUGH HOLE  
2 - 4-40 UNC, 2.7MM THREADED INSERT

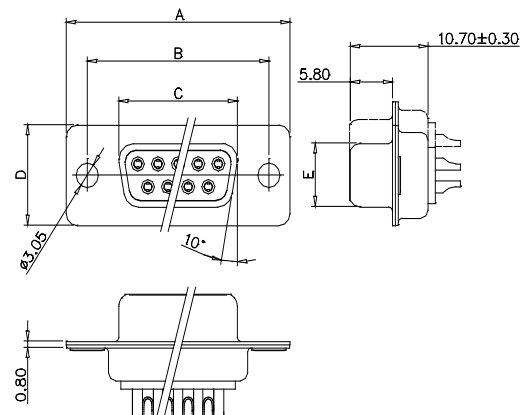
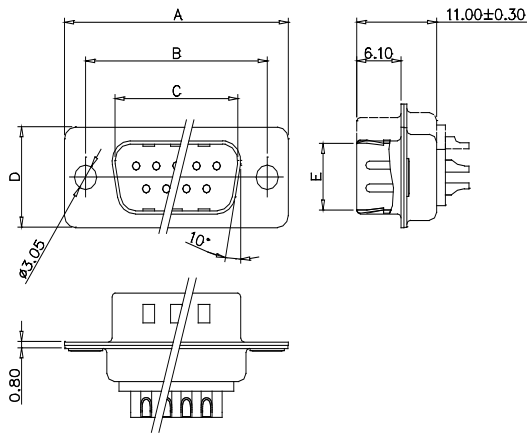
**(NOTE: CODES 3, 4, 5, & 6 ARE FOR PC TAIL ONLY)**  
3 - 4-40 UNC THREADED BOARDSPACER  
4 - 4-40 UNC THREADED STANDOFF WITH THREADED BOARDSPACER  
5 - 4-40 UNC THREADED BOARDSPACER WITH BOARDLOCKS  
6 - 4-40 UNC THREADED STANDOFF WITH BOARDSPACER & BOARDLOCKS

**SHELL PLATING CODE:**  
N - NICKEL  
T - TIN

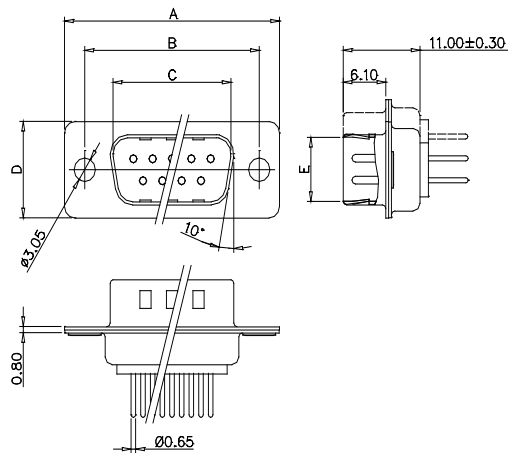
**HOUSING MATERIAL CODE:**  
B - BLACK  
W - WHITE  
G - GREEN  
L - BLUE

## Machined D-Sub Connectors: Vertical

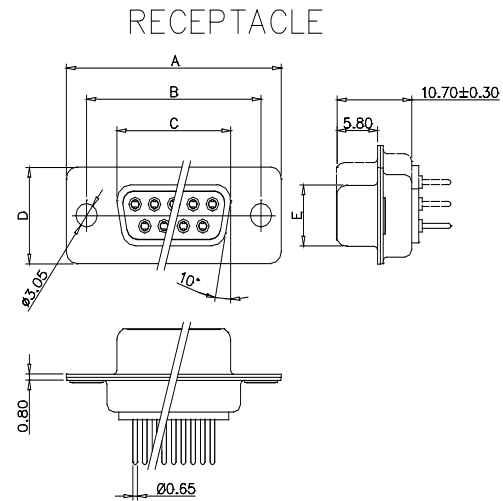
### SOLDER CUP



### PC TAIL



### PLUG



### RECEPTACLE

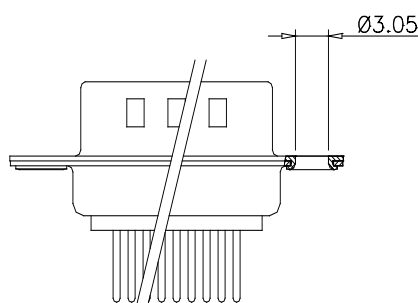
No. of Pos.	A	B	C	D	E
09	30.80	25.00	16.90	12.50	8.30
15	39.20	33.30	25.25	12.50	8.30
25	53.05	47.05	38.95	12.50	8.30
37	69.40	63.50	55.40	12.50	8.30
50	67.00	61.00	52.80	15.30	11.15

No. of Pos.	A	B	C	D	E
09	30.80	25.00	16.30	12.50	7.90
15	39.20	33.30	24.60	12.50	7.90
25	53.05	47.05	38.40	12.50	7.90
37	69.40	63.50	54.80	12.50	7.90
50	67.00	61.00	52.20	15.30	10.90

### MOUNTING & GROUNDING OPTIONS:

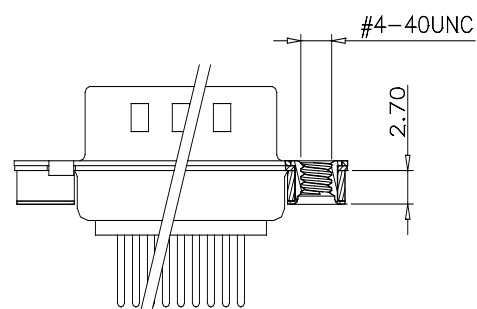
#### CODE - 1

Ø3.05 Through Hole



#### CODE - 2

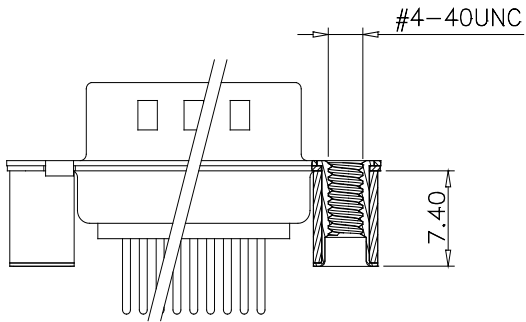
#4-40 UNC, 2.7mm Threaded Insert



## Machined D-Sub Connectors: Vertical

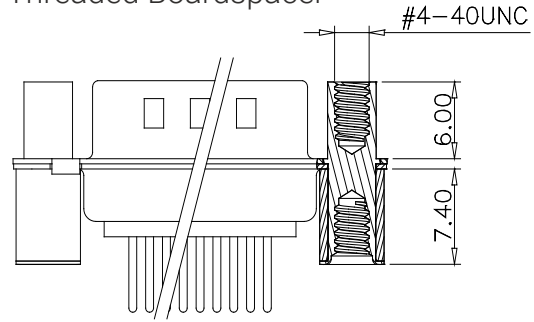
### CODE - 3

#4-40 UNC Threaded Boardspacer



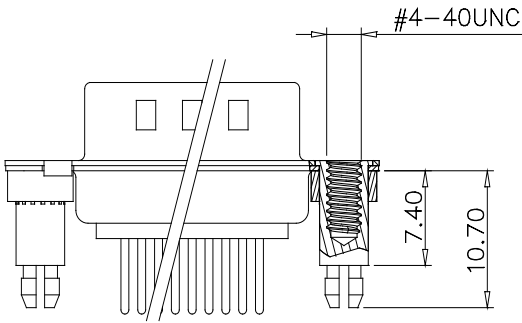
### CODE - 4

#4-40 UNC Threaded Standoff with Threaded Boardspacer



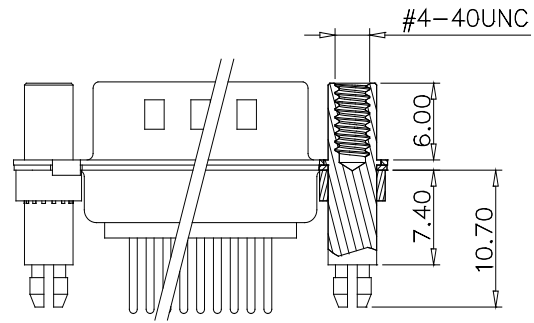
### CODE - 5

#4-40 UNC Threaded Boardspacer with Boardlocks

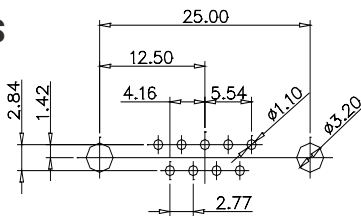


### CODE - 6

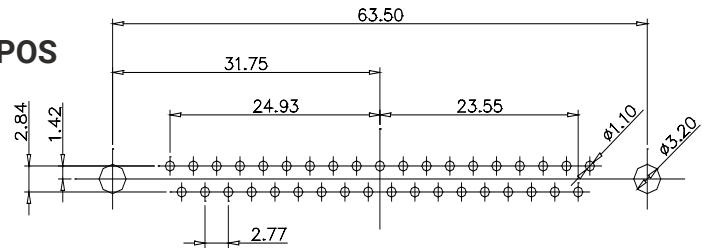
#4-40 UNC Threaded Standoff with Boardspacer & Boardlocks



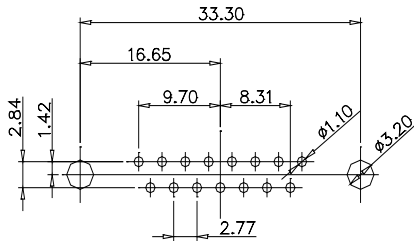
### 9 POS



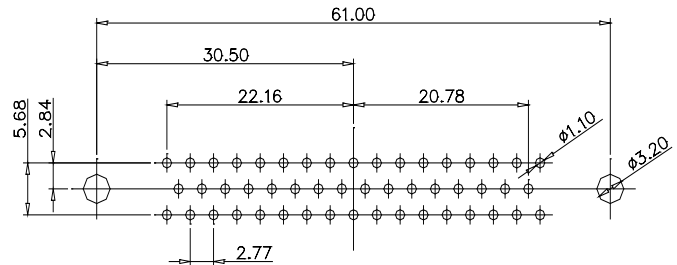
### 37 POS



### 15 POS



### 50 POS



### 25 POS

