



| | | | |
|------|-----------------------|---------|------|
| REV. | ECN NO OR DESCRIPTION | REVISED | DATE |
| | | | |

SPECIFICATIONS

- 1、Current Rating: 1A AC, DC
- 2、Voltage Rating: 30V AC, DC
- 3、Temperatuer Range: -25°C~+85°C
- 4、Contact Resistance: 30mΩ Max
- 5、Insulation Resistance: 100MΩ Min
- 6、Withstanding Voltang: 200V AC/minute
- 7、Material: Wafer LCP, UL94V-0
PIN Brass Tin-plated
Solder tad Phosphoric bronzeTin-plated

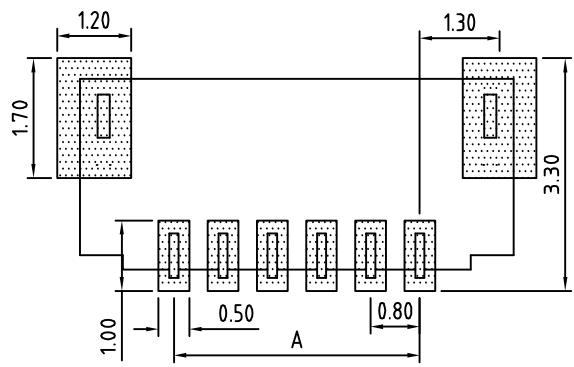
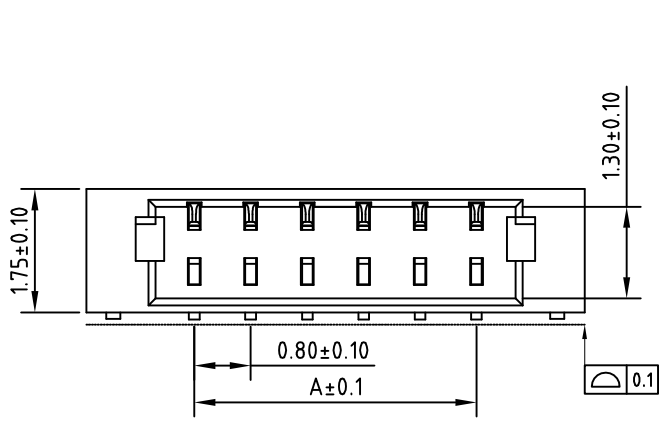
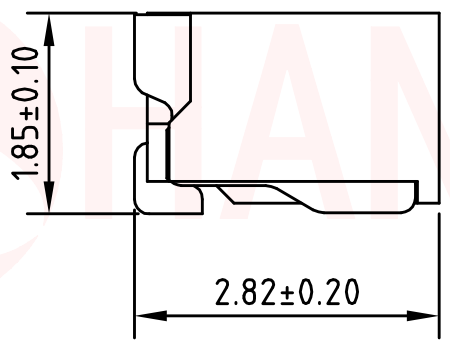
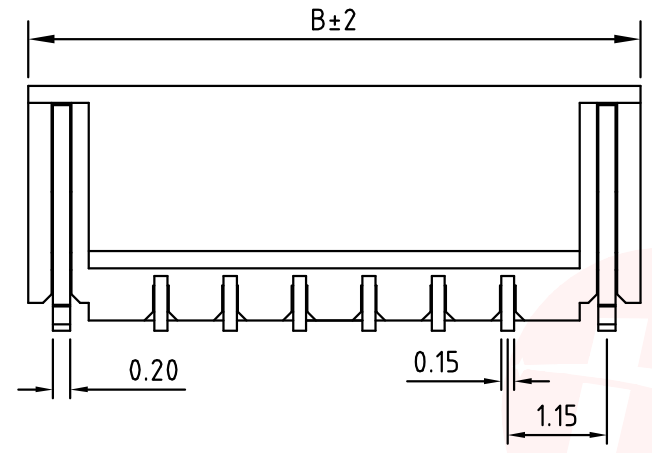
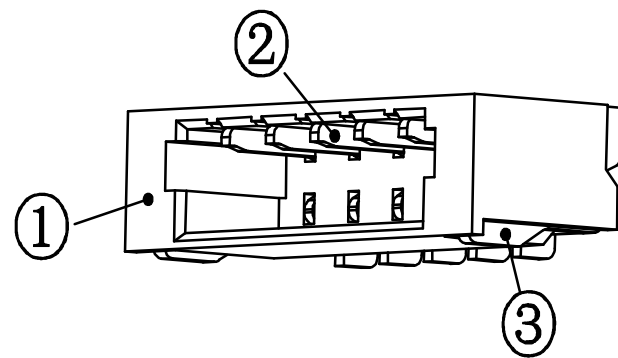


TABLE:

| CSG PART NO. | Dimension mm | |
|--------------------|--------------|-------|
| | A | B |
| WAFER-SUH08-WT-2A | 0.80 | 3.85 |
| WAFER-SUH08-WT-3A | 1.60 | 4.65 |
| WAFER-SUH08-WT-4A | 2.40 | 5.45 |
| WAFER-SUH08-WT-5A | 3.20 | 6.25 |
| WAFER-SUH08-WT-6A | 4.00 | 7.05 |
| WAFER-SUH08-WT-7A | 4.80 | 7.85 |
| WAFER-SUH08-WT-8A | 5.60 | 8.65 |
| WAFER-SUH08-WT-9A | 6.40 | 9.45 |
| WAFER-SUH08-WT-10A | 7.20 | 10.25 |
| WAFER-SUH08-WT-11A | 8.00 | 11.05 |
| WAFER-SUH08-WT-12A | 8.80 | 11.85 |
| WAFER-SUH08-WT-13A | 9.60 | 12.65 |
| WAFER-SUH08-WT-14A | 10.40 | 13.45 |
| WAFER-SUH08-WT-15A | 11.20 | 14.25 |
| WAFER-SUH08-WT-16A | 12.00 | 15.05 |

UNLESS OTHERWISE SPECIFIED TOLERANCES

DECIMALS: X :±0.20 X.X :±0.10 X.XX :±0.05

ANGLES: X :±2° X.X :±1°

东莞市汉博电子科技有限公司
DONGGUAN HANBO TECHNOLOGY CO., LTD

TITLE: WAFER SUH 0.8 贴片 SMT TYPE

| | | | |
|------|-------|------------|-------------------|
| DWN | xiong | PART NO. | WAFER-SUH08-WT-NA |
| CHKD | lee | SCALE: 1:1 | UNIT: mm |
| APVD | wang | SIZE: A4 | SHEET: 10F 1 |

CUSTOMER COPY