

## 24V, 500mA Low Dropout Voltage Linear Regulator

### General Description

The DS8241 series are a group of low-dropout ( LDO ) voltage regulators offering the benefits of wide input voltage range, low dropout voltage, low power consumption, and miniaturized packaging.

Quiescent current of only 1.5 $\mu$ A makes these devices ideal for powering the battery-powered, always-on systems that require very little idle-state power dissipation to a longer service life. There is a shutdown mode by pulling the EN pin low. The shutdown current in this mode goes down to only 100nA ( typical ).

The DS8241 series of linear regulators are stable with the ceramic output capacitor over its wide input range from 2V to 24V and the entire range of output load current ( 0mA to 500mA ).

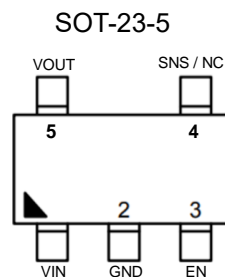
### Features

- 1.5 $\mu$ A Ground Current at no Load
- $\pm$ 1% Output Accuracy
- 500mA Output Current
- 100nA Disable Current
- Wide Operating Input Voltage Range: 2V to 24V
- Dropout Voltage: 0.35V at 100mA /  $V_{OUT}$  5V
- Support Fixed Output Voltage 1.8V, 3.3V, 5V
- Adjustable Output Voltage Available by Specific Application
- Stable with Ceramic or Tantalum Capacitor
- Current Limit Protection
- Over-Temperature Protection
- SOT-23-5 Package Available

### Applications

- Portable, Battery Powered Equipment
- Low Power Microcontrollers
- Laptop, Palmtops and PDAs
- Wireless Communication Equipment
- Audio/Video Equipment
- Car Navigation Systems
- Industrial Controls
- Weighting Scales
- Meters
- Home Automation

### Pin Configurations



## Ordering Information

DS8241-AABB

Designator	Description	Symbol	Description
AA	Output Voltage	18	$V_{OUT} = 1.8V$
		..	..
		..	..
		33	$V_{OUT} = 3.3V$
		50	$V_{OUT} = 5.0V$
BB	Package type	S5	SOT-23-5

Special Request : Any Voltage between 1.8V and 5V under specific business agreement .

DS8241N-AABB ( For SOT-23-5 with **SNS** pin )

Designator	Description	Symbol	Description
AA	Output Voltage	18	$V_{OUT} = 1.8V$
BB	Package type	S5	SOT-23-5

Notes :  $V_{OUT} = ( R1 + R2 ) / R2 \times 1.8V$  , And  $R2 < 36K\Omega$  .

## Description of Functional Pins

Pin No		Pin Name	Pin Function
DS8241	DS8241N		
1	1	VIN	Input of Supply Voltage.
2	2	GND	Ground
3	3	EN	Enable Control Input.
4		NC	No internal connection
	4	SNS	Sense of Output Voltage.
5	5	VOUT	Output of the Regulator

Typical Application Circuits

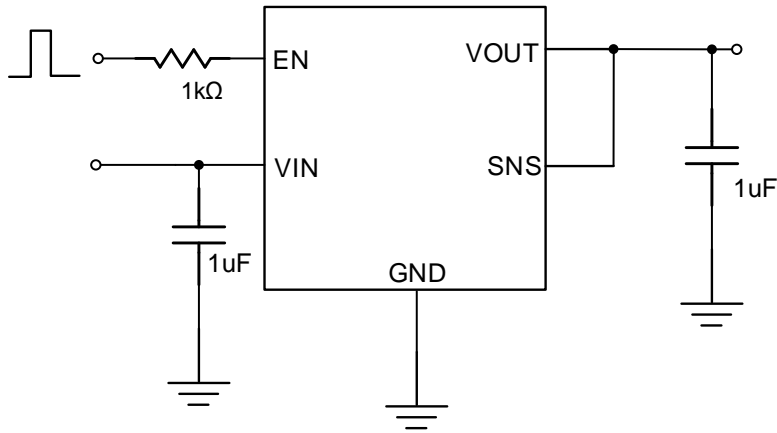


Figure 1: Application circuit of Fixed V<sub>OUT</sub> LDO with enable and sense functions

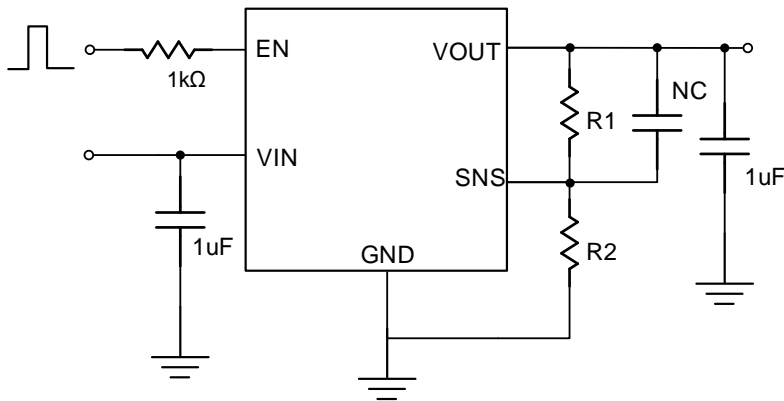


Figure 2: Adjustable output voltage LDO application circuit by DS8241N

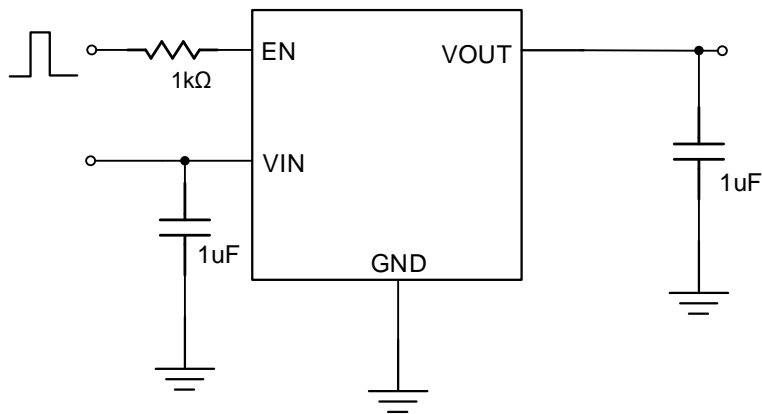
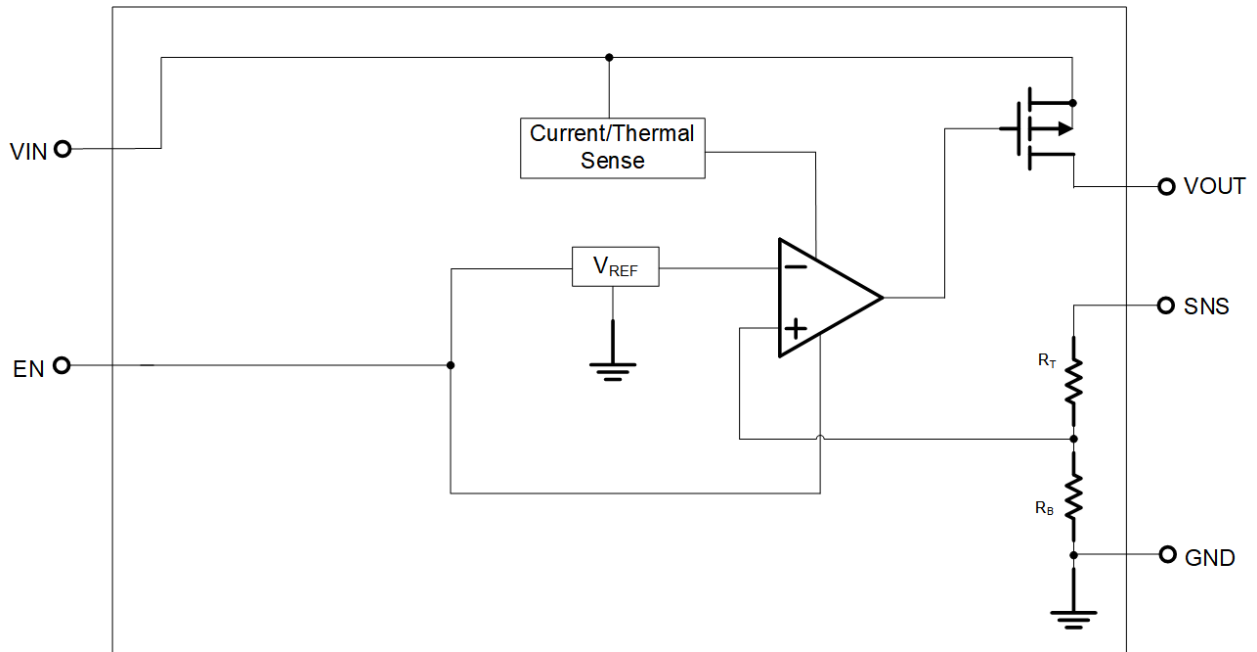


Figure 3: Application circuit of Fixed V<sub>OUT</sub> LDO with enable function

## Function Block Diagram



## Absolute Maximum Ratings (Note 1)

VIN, EN to GND	-----	-0.3V to 30V
SNS to GND	-----	-0.3V to 6V
VOUT to GND		
DS8241-18, DS8241-33, DS8241-50	-----	-0.3V to 6V
VOUT to VIN	-----	-28V to 0.3V
Package Thermal Resistance (Note 2)		
SOT-23-5, $\theta_{JA}$	-----	200 °C/W
Lead Temperature (Soldering, 10 sec.)	-----	260 °C
Junction Temperature	-----	150 °C
Storage Temperature Range	-----	-40 °C to 150 °C
ESD Susceptibility		
HBM	-----	2KV
MM	-----	200V

## Recommended Operating Conditions

Input Voltage VIN	-----	2.0V to 24V
Junction Temperature Range	-----	-40 °C to 125 °C
Ambient Temperature Range	-----	-40 °C to 85 °C

## Electrical Characteristics

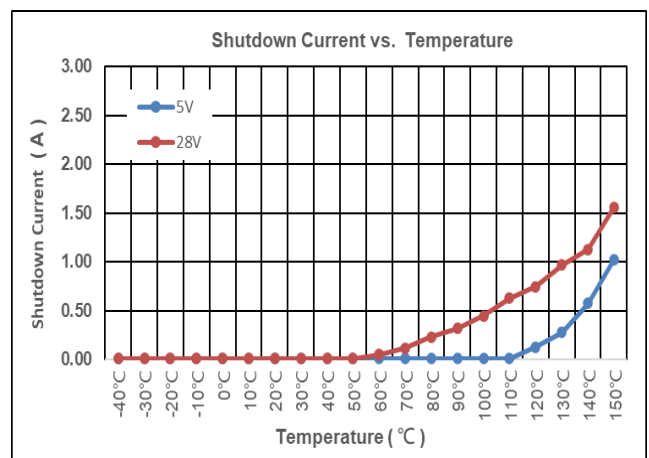
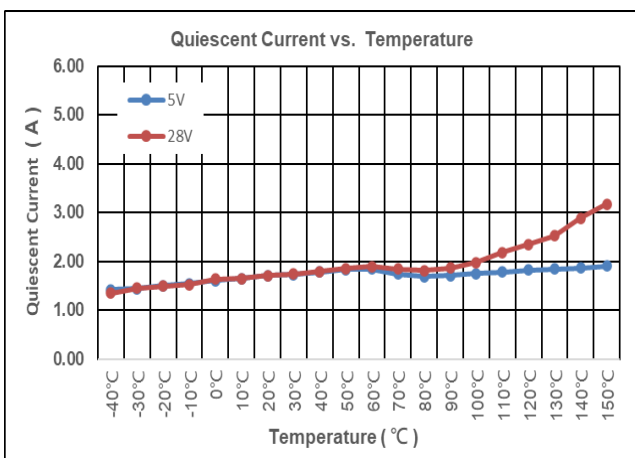
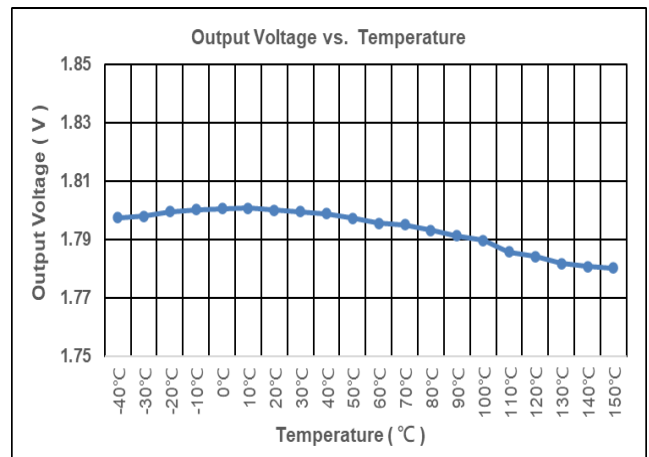
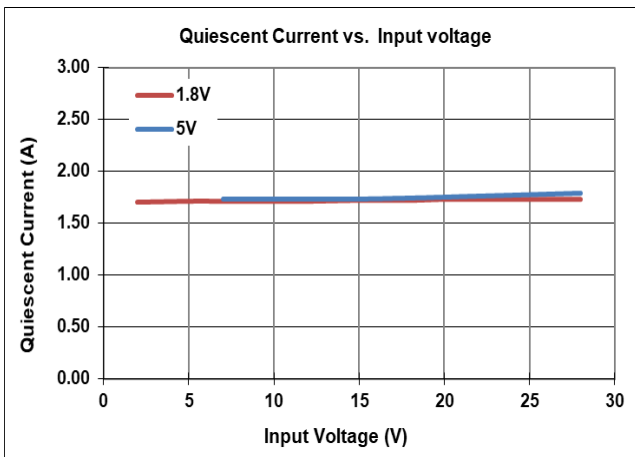
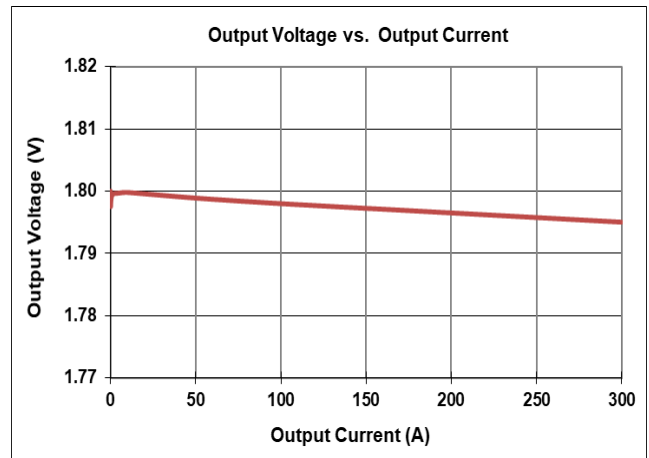
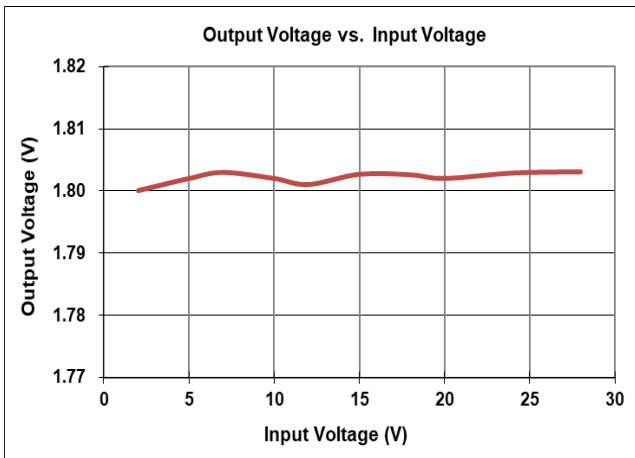
( $V_{IN} = 15V$ ,  $V_{EN} = 5V$ ,  $T_A = 25^\circ C$  unless otherwise specified)

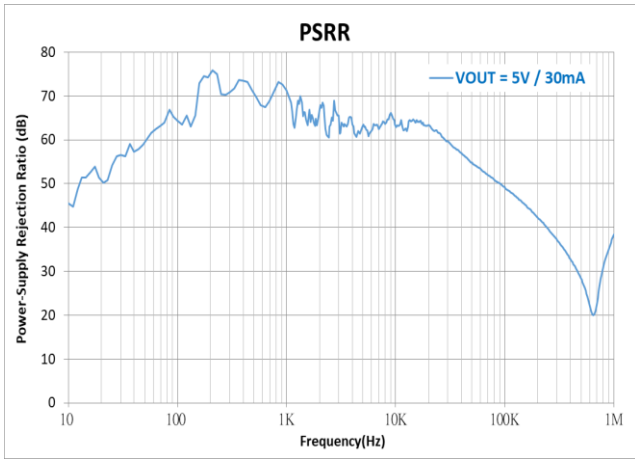
Parameter	Symbol	Test Conditions	Min	Typ	Max	Unit
Supply Voltage	$V_{IN}$		2	--	24	V
DC Output Voltage Accuracy		$I_{LOAD} = 0.1mA$	-1		1	%
Dropout Voltage ( $I_{LOAD} = 100mA$ )	$V_{DROP}$	$V_{OUT} \geq 5V$	--	0.35		V
	$V_{DROP\_3.3V}$	$V_{OUT} = 3.3V$		0.42		
	$V_{DROP\_1.8V}$	$V_{OUT} = 1.8V$		0.5		
Ground Current ( $I_{LOAD} = 0mA$ )	$I_Q$			1.5		$\mu A$
Shutdown Ground Current	$I_{SD}$	$V_{EN} = 0V$ , $V_{OUT} = 0V$		0.1	0.5	$\mu A$
SNS Input Current	$I_{SNS}$	$SNS = V_{OUT}$ $V_{OUT} \leq 5V$		0.7		$\mu A$
Enable Threshold Voltage	$V_{IH}$	EN Rising	1.1			V
	$V_{IL}$	EN Falling			0.4	
EN Input Current	$I_{EN}$	$V_{EN} = 24V$		10	100	nA
Line Regulation	$\Delta_{LINE}$	$I_{LOAD} = 1mA$ , $10V \leq V_{IN} \leq 20V$	--	0.5		%
Load Regulation	$\Delta_{LOAD}$	$10mA \leq I_{LOAD} \leq 0.2A$		0.3		%
Output Current Limit	$I_{LIM}$	$V_{OUT} = 0$	501	700		mA
Power Supply Rejection Ratio	PSRR	$V_{OUT} = 5V$ , $I_{LOAD} = 30mA$ , $V_{IN} = 12V$ , $f = 1KHz$		70		dB
Thermal Shutdown Temperature	$T_{SD}$	$I_{LOAD} = 10mA$	--	160	--	$^\circ C$
Thermal Shutdown Hysteresis	$\Delta T_{SD}$		15			$^\circ C$

**Note 1.** Stresses beyond those listed “Absolute Maximum Ratings” may cause permanent damage to the device. These are stress ratings only, and functional operation of the device at these or any other conditions beyond those indicated in the operational sections of the specifications is not implied. Exposure to absolute maximum rating conditions may affect device reliability.

**Note 2.**  $\theta_{JA}$  is measured at  $T_A = 25^\circ C$  on a DSTECH EVB board.

## Typical Characteristics





## Application Guideline

### **Input and Output Capacitor Requirements**

The external input and output capacitors of DS8241 series must be properly selected for stability and performance. Use a 1 $\mu$ F or larger input capacitor and place it close to the IC's VIN and GND pins. Any output capacitor meeting the minimum 1m $\Omega$  ESR (Equivalent Series Resistance) and effective capacitance between 1 $\mu$ F and 22 $\mu$ F requirement may be used. Place the output capacitor close to the IC's VOUT and GND pins. Increasing capacitance and decreasing ESR can improve the circuit's PSRR and line transient response.

### **Current Limit**

The DS8241 series contain the current limiter of output power transistor, which monitors and controls the transistor, limiting the output current to 700mA (typical). The output can be shorted to ground indefinitely without damaging the part.

### **Dropout Voltage**

The DS8241 series use a PMOS pass transistor to achieve low dropout. When ( VIN – VOUT ) is less than the dropout voltage ( V<sub>DROP</sub> ), the PMOS pass device is in the linear region of operation and the input-to-output resistance is the RDS(ON) of the PMOS pass element. V<sub>DROP</sub> scales approximately with the output current because the PMOS device behaves as a resistor in dropout condition.

As any linear regulator, PSRR and transient response are degraded as ( VIN – VOUT ) approaches dropout condition.

### **Adjustable Output Voltage Application**

The DS8241N with SNS pin also can work as an adjustable output voltage LDO. Figure 2 gives the connections for the adjustable output voltage application. The resistor divider from VOUT to SNS sets the output voltage when in regulation.

The voltage on the SNS pin sets the output voltage and is determined by the values of R1 and R2. In order to keep a good temperature coefficient of output voltage, the values of R1 and R2 should be selected carefully to ignore the temperature effect of input current at the SNS pin. A current greater than 50 $\mu$ A in the resistor divider is recommended to meet the above requirement. The adjustable output voltage can be calculated using the formula given in equation 1:

$$V_{OUT} = \frac{R1+R2}{R2} \times V_{SNS} \quad (1)$$

where V<sub>SNS</sub> is determined by the output voltage selections in the ordering information of DS8241N-18. The maximum adjustable output voltage is 5V. Generally, to maximize the available adjustable output voltage range, DS8241N-18S5 is recommended (V<sub>SNS</sub> is 1.8V in formula 1 now).

The minimum recommended 50 $\mu$ A in the resistor divider makes the application no longer a 1.5 $\mu$ A low quiescent LDO.

### **OTP (Over Temperature Protection)**

The over temperature protection function of DS8241 series will turn off the P-MOSFET when the junction temperature exceeds 160°C (typ.). Once the junction temperature cools down by approximately 15°C, the regulator will automatically resume operation.



***Thermal Application***

For continuous operation, do not exceed the absolute maximum junction temperature. The maximum power dissipation depends on the thermal resistance of the IC package, PCB layout, rate of surrounding airflow, and difference between junction and ambient temperature. The maximum power dissipation can be calculated as below:

$T_A=25^{\circ}\text{C}$ , DSTECH PCB,

The max PD (Max)=  $(125^{\circ}\text{C} - 25^{\circ}\text{C}) / (200^{\circ}\text{C/W}) = 0.5\text{W}$   
for SOT-23-5 packages.

Power dissipation (PD) is equal to the product of the output current and the voltage drop across the output pass element, as shown in the equation below:

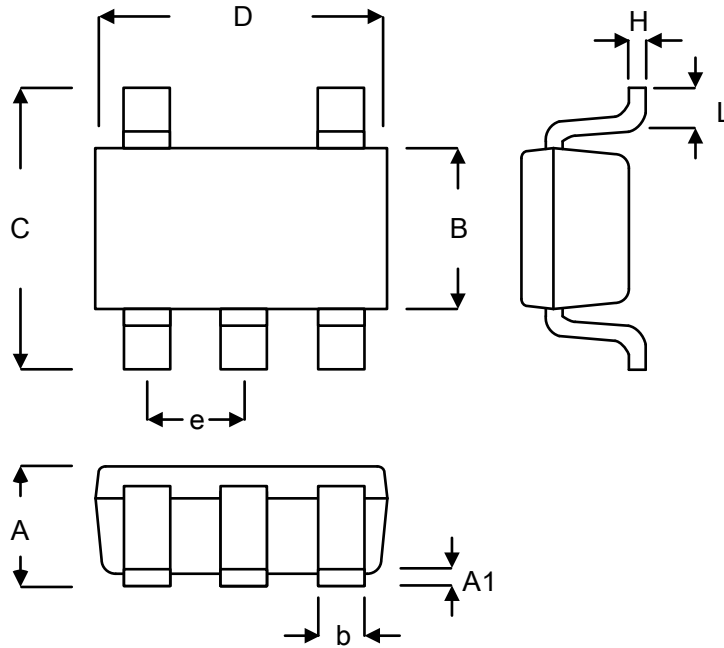
$$\text{PD} = (\text{VIN} - \text{VOUT}) \times \text{IOUT}$$

**Layout Consideration**

By placing input and output capacitors on the same side of the PCB as the LDO, and placing them as close as is practical to the package can achieve the best performance. The ground connections for input and output capacitors must be back to the DS8241 ground pin using as wide and as short of a copper trace as is practical.

Connections using long trace lengths, narrow trace widths, and/or connections through via must be avoided. These add parasitic inductances and resistance that results in worse performance especially during transient conditions.

**Package Information:**



Symbol	Millimeters		Inches	
	Min.	Max.	Min.	Max.
A	0.889	1.295	0.035	0.051
A1	0.000	0.152	0.000	0.006
B	1.397	1.803	0.055	0.071
b	0.250	0.560	0.010	0.022
C	2.591	2.997	0.102	0.118
D	2.692	3.099	0.106	0.122
e	0.838	1.041	0.033	0.041
H	0.080	0.254	0.003	0.010
L	0.300	0.610	0.012	0.024

SOT-23-5L