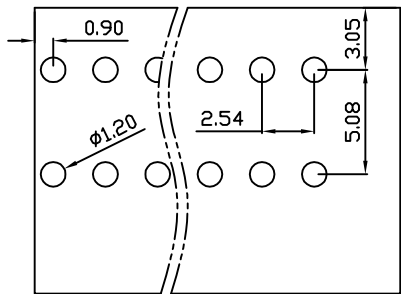
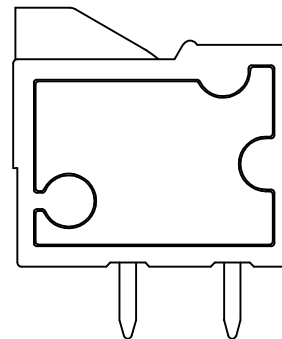
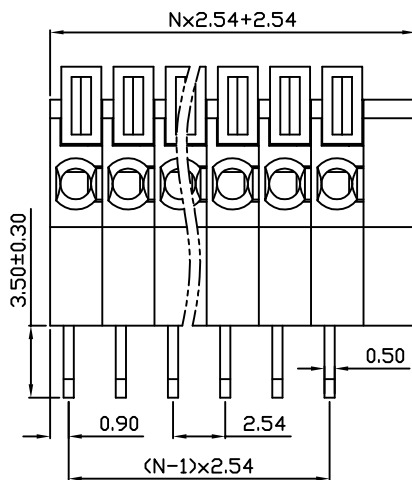
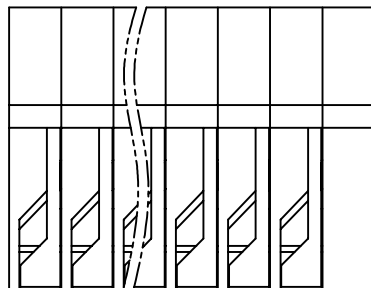
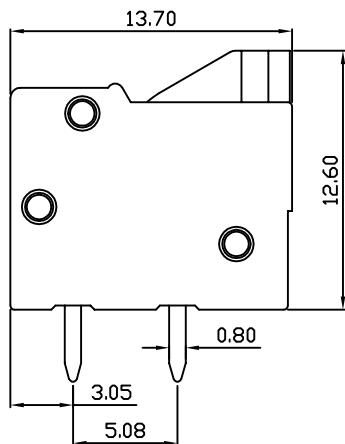


linear dimension(Tolerances Standard GB/T 14486-2008)								—	$\nabla$	$\perp$
variable range	to 6	over 6 to 10	over 10 to 30	over 30 to 60	over 60 to 100	over 100 to 160	over 160 to	to 10	over 10 to 100	over 100 to
tolerance	±0.20	±0.30	±0.50	±0.70	±1.00	±1.30	±1.60	0.10	0.30	0.60



PCB Layout



DB141R — 2.54 — XXP — C  
 (Series No.) (Pitch) (Poles)

(Color):GN:(Green), BK:(Black), BU:(Blue), RD:(Red), GY:(Gray)  
 OG:(Orange), WT:(White), YL:(Yellow), CR:(Clear)

APPD: JTING Chen 2023.07.11  
 CHKD: Duck Mao 2023.07.11  
 DRFT: Steven Lu 2023.07.11

UL/CUL 技术参数	UL/CUL Technical Data			UL/CUL		
等级	Use Group	B	C	D		
额定电压	Rated Voltage [V]	150	-	-		
额定电流	Rated Current [A]	4	-	-		
接线范围	Wire Range	26-18				
单/多芯线	Solid/Stranded [AWG]					
耐电压	Withstanding Voltage	1300V/1Min				
IEC 技术参数	IEC Technical Data					
过电压类别	Overvoltage Category	III	III	II		
污染等级	Contamination Class	3	2	2		
额定电压	Rated Voltage [V]	63	160	320		
额定电流	Rated Current [A]	6	6	6		
额定冲击电压	Impulse withstand voltagea [KV]	2.5	2.5	2.5		
导线截面积	Conductor cross section	0.5				
硬质/柔性导线	Solid/flexible [mm <sup>2</sup> ]					
材料	Material					
绝缘材料	Insulation Material	PA66				
阻燃等级	Imflamability	UL94V-0				
导体材料	Contact Material	铜合金 Copper alloy				
导体表面镀层	Contactive Coating	镀锡 Sn Plated				
一般参数	Other Data					
间距	Pitch [mm]	2.54				
极数	Poles [P]	01-24				
剥线长度	Stripping Length [mm]	11				
螺丝	Screw/扭矩 Torque(Max) [N.m]	-				
工作温度	Operating temperatur [°C]	-40~+105				
引针尺寸	Pin Dimensions [mm]	0.80x0.50				
PCB板孔径	PCB Hole Diameter [mm]	1.20				

**DORABO**

宁波地博电气有限公司  
 Ningbo Dorabo Electric CO., Ltd

NAME:

DB141R-2.54-XXP-C



SIZE: A4

mm (inch)

REV

T0-1

TYPE: CUSTOMER\_DRAWING

SCALE: 1:1

SHEET

1/1