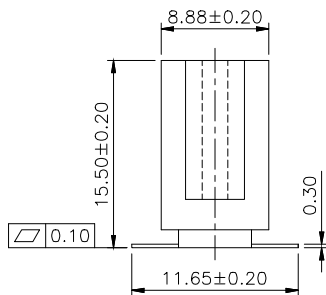
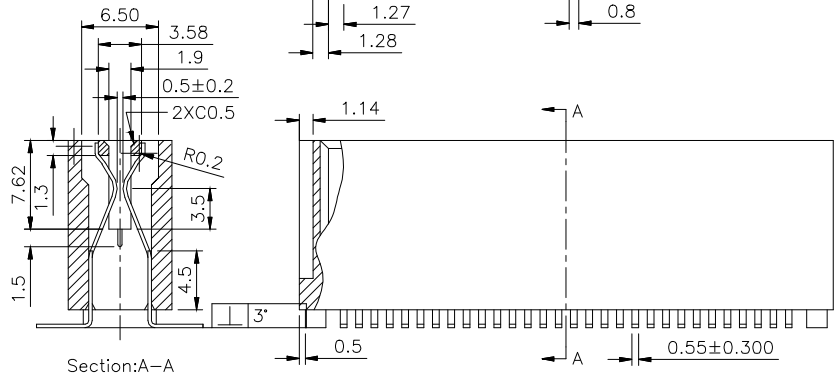
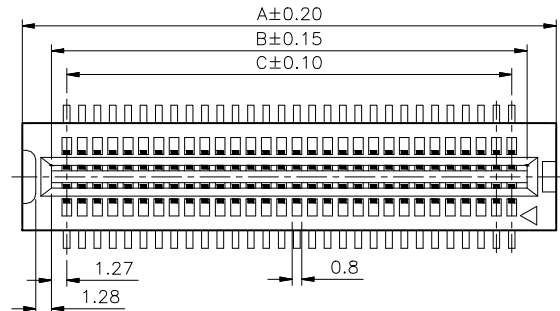


Recommended P.C.B. Layout (Top View)
P.C.B. Thickness: 1.2mm~1.6mm



SPECIFICATION

Current Rating: 1 Amp
Voltage Rating: 250V AC RMS
Dielectric Withstanding Voltage: 500V AC RMS 60Hz For 1 Minute
Insulation Resistance: 1000 Megaohms Min. At 500V DC
Contact Resistance: 30 Milliohms Max.
Retention Force: 460 Grams Min. Per Contact
Insertion Force: 250 Grams Max. Per Contact Pair
Withdrawal Force: 15 Grams Min. Per Contact Pair
Temperature Range: -55°C~105°C
Insulator: LCP+G. F.
Contact: Phosphor Bronze
Gold Plated On Contact Area
Tin Plated On Solder Tails, Over Nickel
Or All Gold Plated On Contact

RoHS Compliant

Pin	A	B	C	Pin	A	B	C
4	8.64	3.81	1.27	62	45.47	40.64	38.10
6	9.91	5.08	2.54	64	46.74	41.91	39.37
8	11.18	6.35	3.81	66	48.01	43.18	40.64
10	12.45	7.62	5.08	68	49.28	44.45	41.91
12	13.72	8.89	6.35	70	50.55	45.72	43.18
14	14.99	10.16	7.62	72	51.82	46.99	44.45
16	16.26	11.43	8.89	74	53.09	48.26	45.72
18	17.53	12.70	10.16	76	54.36	49.53	46.99
20	18.80	13.97	11.43	78	55.63	50.80	48.26
22	20.07	15.24	12.70	80	56.90	52.07	49.53
24	21.34	16.51	13.97	82	58.17	53.34	50.80
26	22.61	17.78	15.24	84	59.44	54.61	52.07
28	23.88	19.05	16.51	86	60.71	55.88	53.34
30	25.15	20.32	17.78	88	61.98	57.15	54.61
32	26.42	21.59	19.05	90	63.25	58.42	55.88
34	27.69	22.86	20.32	92	64.52	59.69	57.15
36	28.96	24.13	21.59	94	65.79	60.96	58.42
38	30.23	25.40	22.86	96	67.06	62.23	59.69
40	31.50	26.67	24.13	98	68.33	63.50	60.96
42	32.77	27.94	25.40	100	69.60	64.77	62.23
44	34.04	29.21	26.67	120	82.30	77.47	74.93
46	35.31	30.48	27.94	130	88.65	83.82	81.28
48	36.58	31.75	29.21	140	95.00	90.17	87.63
50	37.85	33.02	30.48	150	101.35	96.52	93.98
52	39.12	34.29	31.75	160	107.70	102.87	100.33
54	40.39	35.56	33.02	170	114.05	109.22	106.68
56	41.66	36.83	34.29	180	120.40	115.57	113.03
58	42.93	38.10	35.56	190	126.75	121.92	119.38
60	44.20	39.37	36.83	200	133.10	128.27	125.73

Order Information

HE V xxx LP 03 BK

HE=1.27mm FEMALE EDGE SLOT
V=SMT STRAIGHT 180°
NO. OF PINS:04-200
Operating Temperature
LP=LCP + Phosphor Bronze

BK=Black
NC=Natural Color

GF=1u" Glod Flash
03=3u" Glod
05=5u" Glod
10=10 u" Glod
15=15 u" Glod
A3=3u" All Glod



深圳市格林柏电子技术开发有限公司

X. ± 0.30	APPD:	PART NO: HE V xxx LP 03 BK
.X ± 0.20	CHKD:	
.XX ± 0.10	CHKD: HZF	
.XXX ± 0.05	DR:	
X° ± 1°	DR:	DWG NO:
.X° ± 0.5°	DR:	
	UNITS: mm	SCALE: 1:1
		SHEET 1 OF 1
		REV: A

REV	ECN NO	DESCRIPTION	DATE
A			