

# Specifications

## 备注 (Remark)

### 1. 材料 (MATERIAL)

胶芯: PA9T+30%G. F UL94V-0, 颜色: 黑色.  
Housing: PA9T+30%G. F UL94V-0, Color: Black  
端子: 磷铜, 镍底30u"MIN, 表面镀普金  
Contact: Phosphor, GOLD PLATING OVER ALL  
30u" MIN NICKEL UNDERPLATING OVER ALL

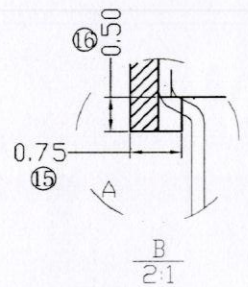
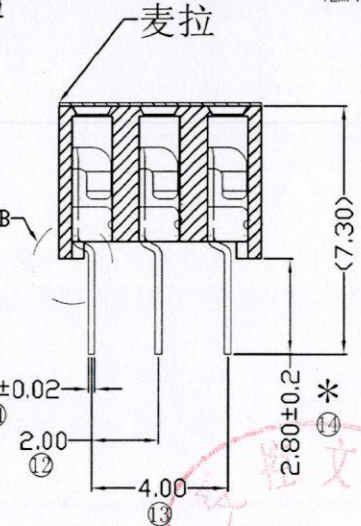
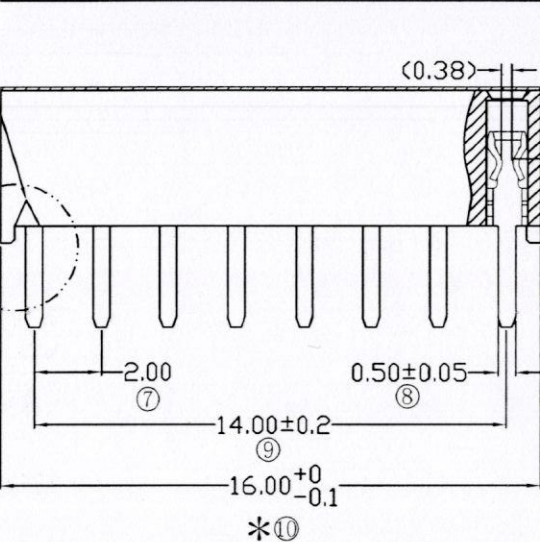
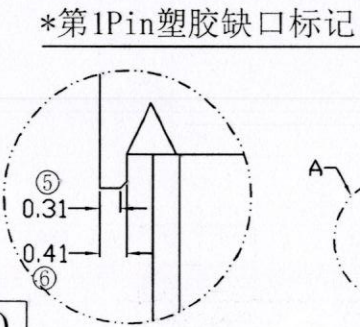
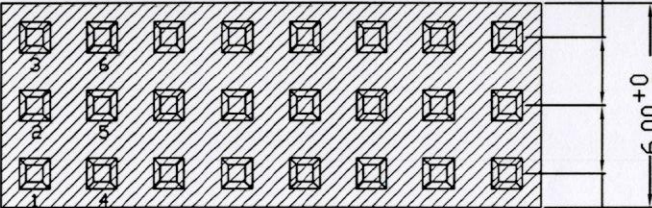
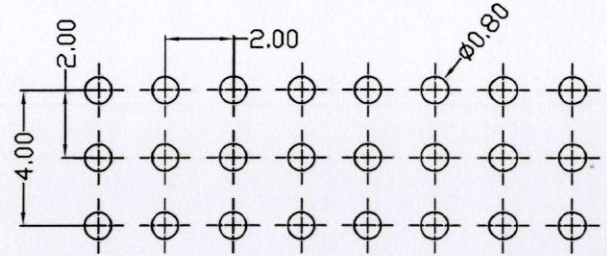
### 2. 特性 (characteristics):

额定电流: 2 AMP  
Raring Current: 2 AMP.  
接触阻抗: 30 mΩ MAX.  
Contact Resistance: 30 mΩ MAX.  
绝缘阻抗: 5000 MΩ MIN.  
Insulating Resistance: 5000 MΩ MIN.  
耐电压: AC 650V/分钟.  
Withstanding Voltage: AC 650V/Minute.  
温度范围: -40° C to +105° C  
Temperature Range: -40° C to +105° C

# Ordering Information

F245-13 08 A0 C SU B 2

NO. OF PINS PER ROW	Contact Plating	INSULATOR MATERIAL:	PACKING
3-40P	Full Of Gold	A: PBT	A: PE Bag
	A0=0.8u"	B: PA6T	B: Tape & Reel
	A1=1u"	C: PA9T	C: Tube
	A2=1.5u"	D: LCP	D: Tube+CAP
	A3=2u"		E: Tray
	A4=3u"		
	A5=5u"		
	A6=10u"		
	A7=15u"		
	A8=20u"		
	A9=30u"		
	S1=Ordinary Tin Plated		
	S2=Matte Tin Plated		
	S3=Tin-plated High-temperature		
	C9=30u"MIN GOLD PLATED WITH HIGH TEMPRETURE MATTE TIN		



RoHS COMPLIANT

客编: K2090

**注意事项**

- 带\*为品质重点检验尺寸.
- 第1Pin塑胶缺口标记.

				OPERATION		SCALE		Fit		Yxcon 东莞市宇熙精密连接器有限公司			
				X.X	±0.40	UNIT		MM		www.yxcon.com Dongguan Yuxi Electronic Co., Ltd.			
				X.XX	±0.25	SIZE	A4	DESIGN	李官森 2021.01.17	PART NO.		F245-1308A0CSUB2	
				X.XXX	±0.15	SHEET	1/1	CHECK		TITLE:		FH2.0*4.6 3*8P 180度 DIP:2.8mm F244端子 PA9T料 镀普金 麦拉+透明卷装800PCS K2090	
REV	DATE	SYMBOL	MODIFICATION DESCRIPTION	Angle	±3°	PROJ.	APPROVE	APPROVE	Customer No.				
A0	2022.01.17	/	新版发行	DIM	TOL								

